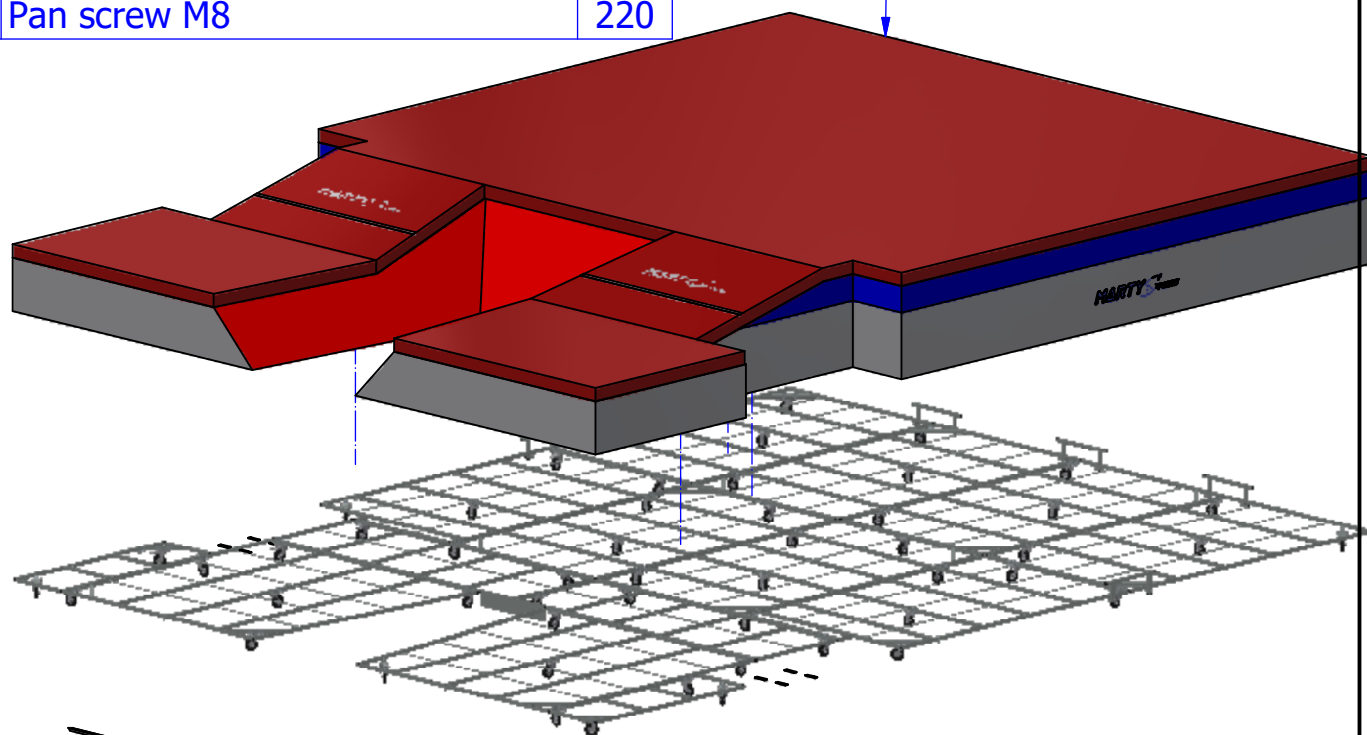


## Wheels on PV Duckboard M00x6m00

### Details of pieces

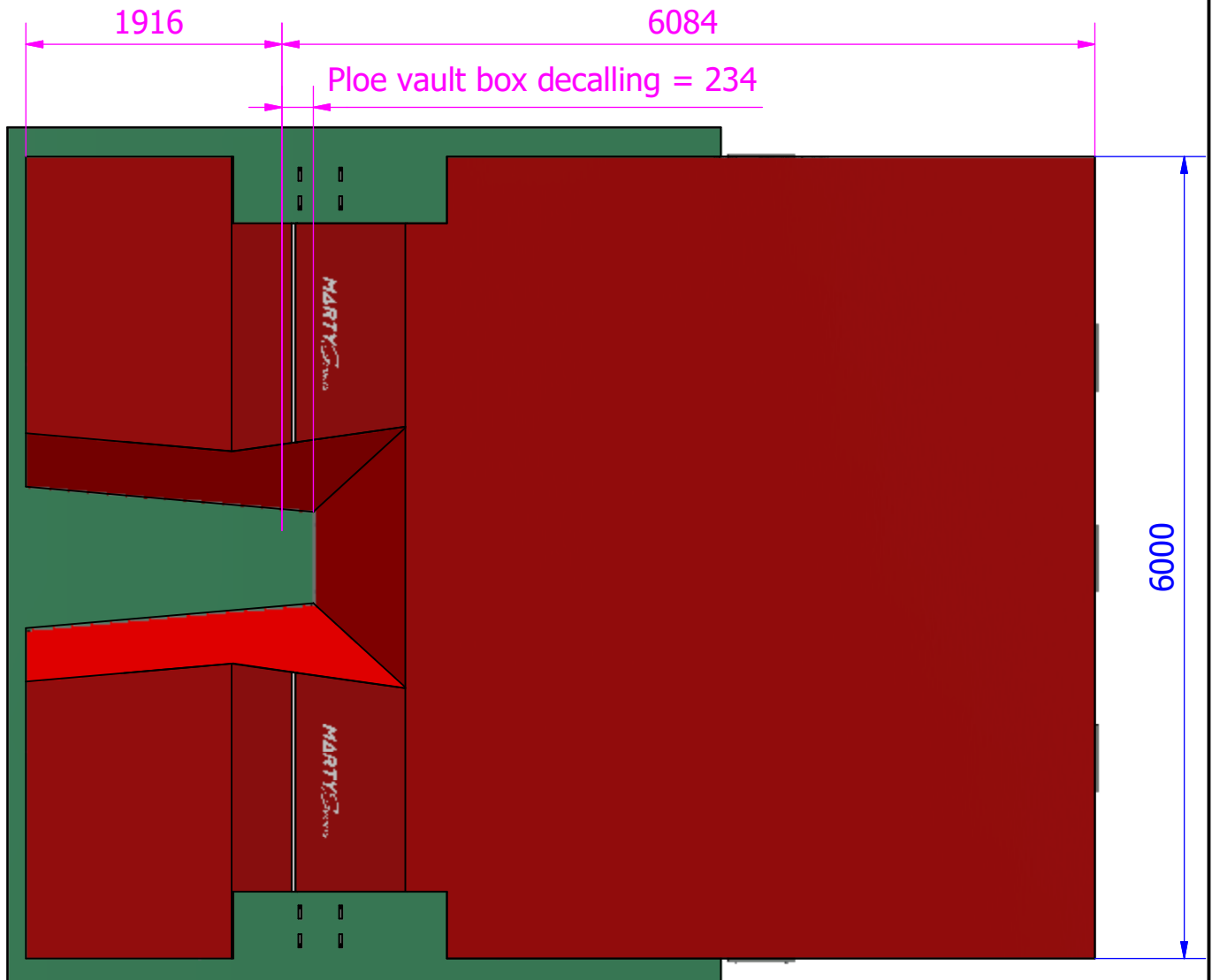
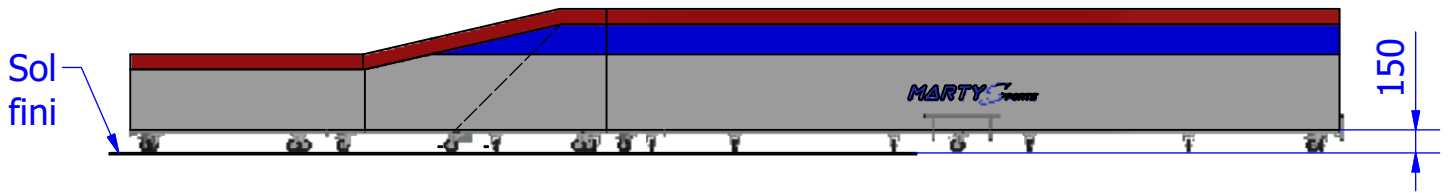
ARTICLE	DESIGNATION	QTE
1	Duckboard 2m50 x 1m50	6
2	Duckboard 2m50 x 1m50 right	1
3	Duckboard 2m50 x 1m50 left	1
4	Duckboard 2m50 x 0m85	2
5	Duckboard 1m55 x 0m50	2
6	Duckboard with long left advance	1
7	Duckboard with long right advance	1
8	Stop bumper plat	1
9	Stop garde	5
10	double clamp	62
11	simple clamp	40
12	Folded hook	6
13	Hook attachment	8
14	Wheel Ø100 to plate	30
15	Wheel Ø100 to plate barking	21
16	Screw TH M8 x 65	10
17	Screw TH M8 x 50	2
18	Screw TH M8 x 30	6
19	Screw TH M8 x 20	204
20	Plat washers Ø8L	214
21	Pan screw M8	220

Landing pits FLEXY sold serarately  
(Réf. MAntRTY A2222M for monoblock,  
A2222T for semi modular,  
or A2222 for modular)



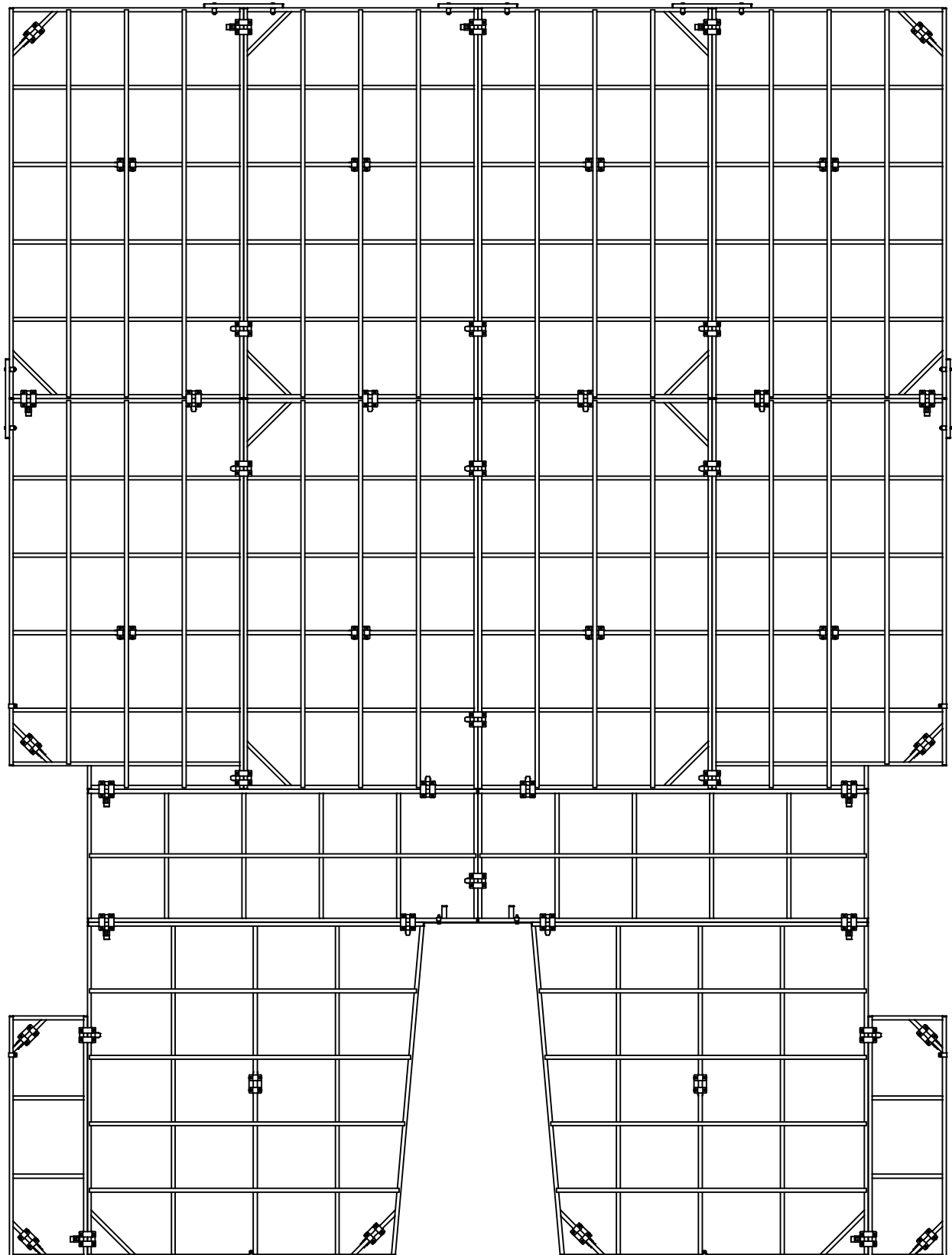
## Wheels on PV Duckboard M00x6m00

### 1 : Implantation



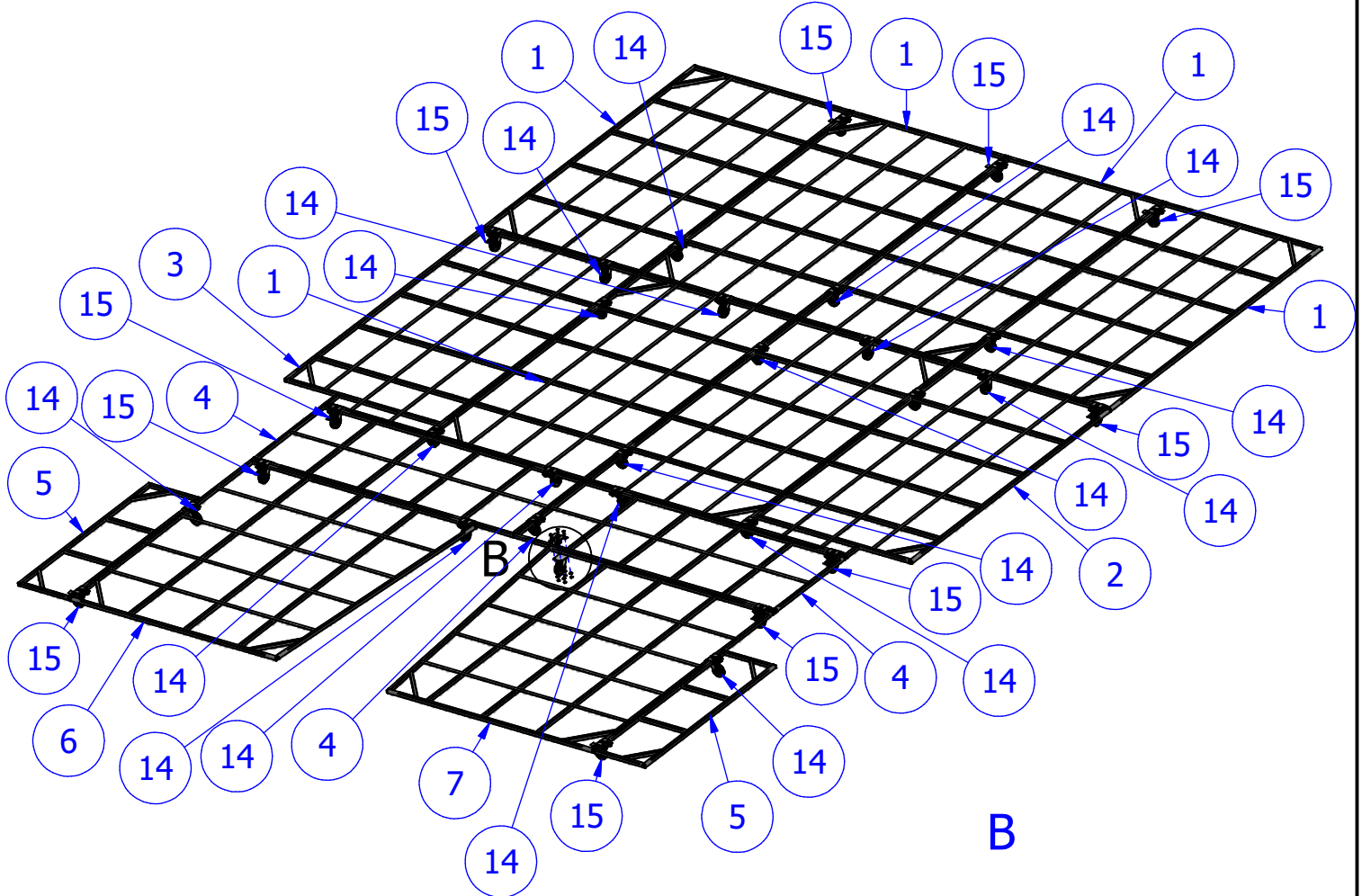
## Wheels on PV Duckboard M00x6m00

### 2 : Top view



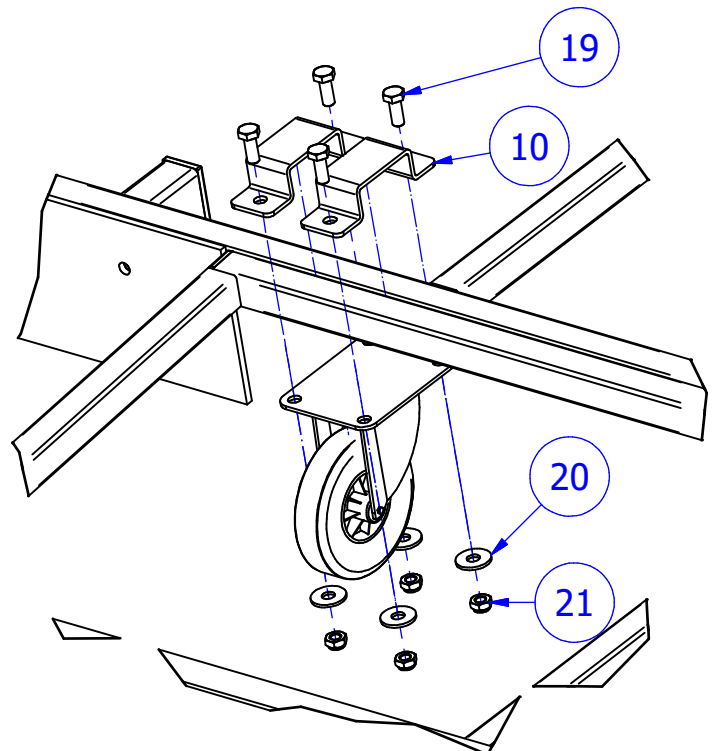
## Wheels on PV Duckboard M00x6m00

### 3 : Wheels joint assembling



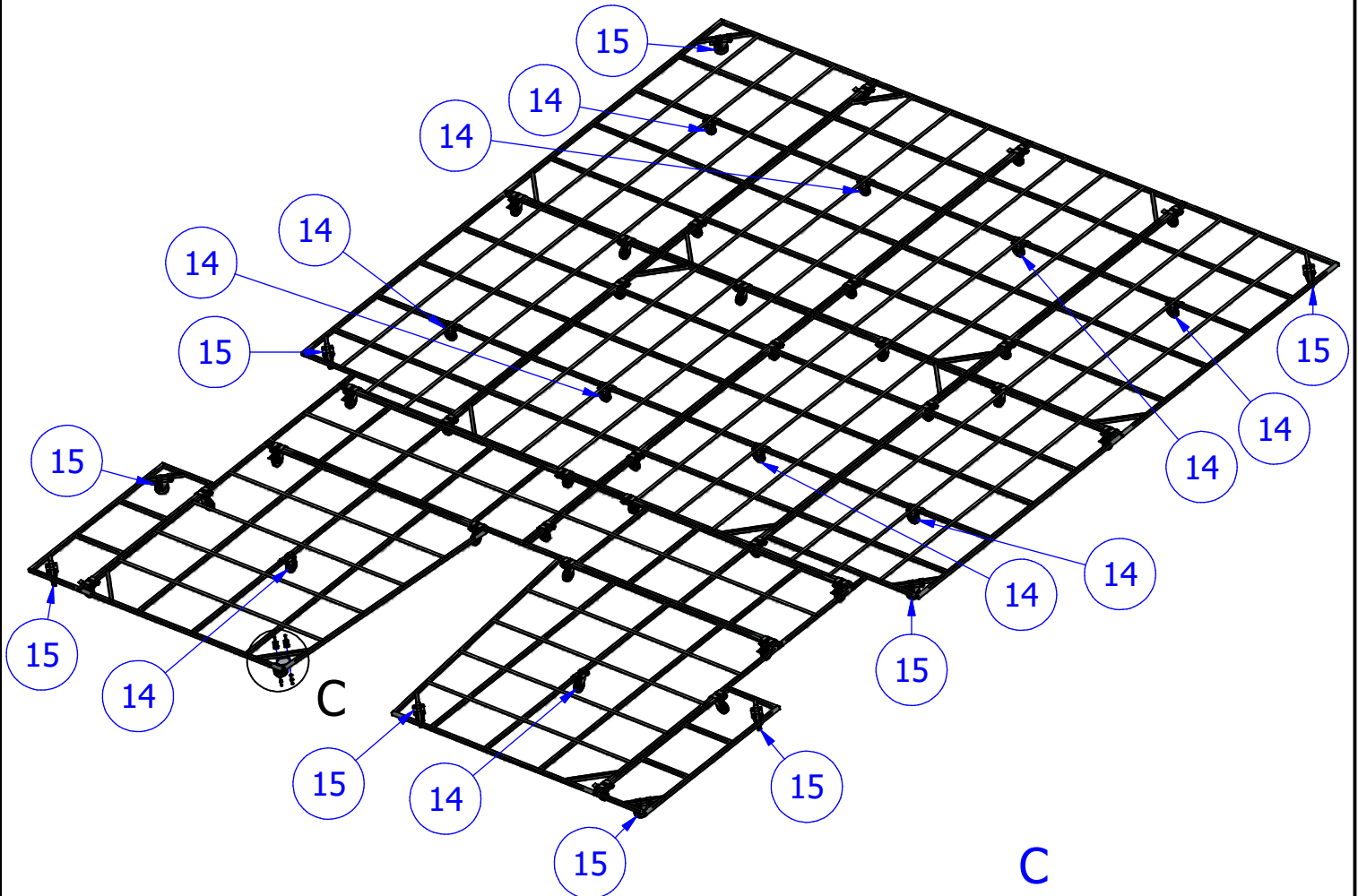
**Duckboard plat  
in top part.**

**Warning duckboard  
direction**



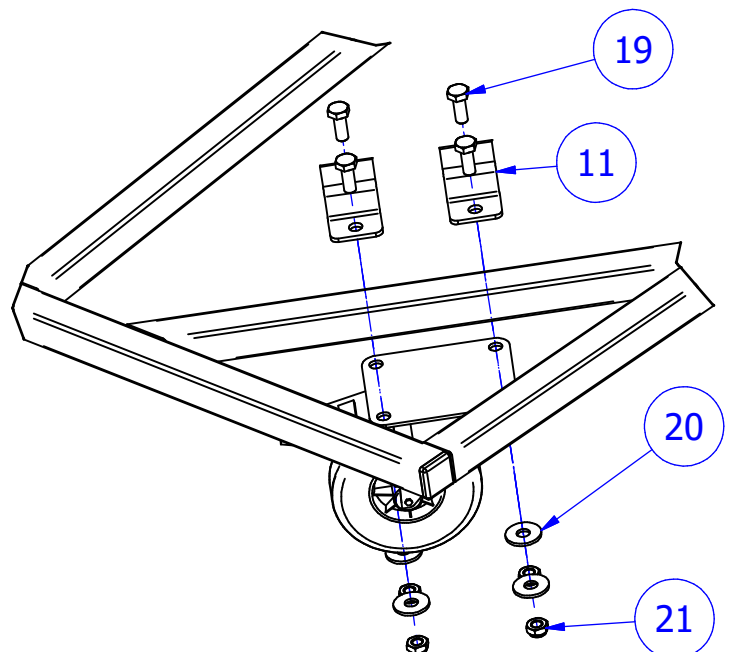
## Wheels on PV Duckboard M00x6m00

### 4 : Simple wheels assembling



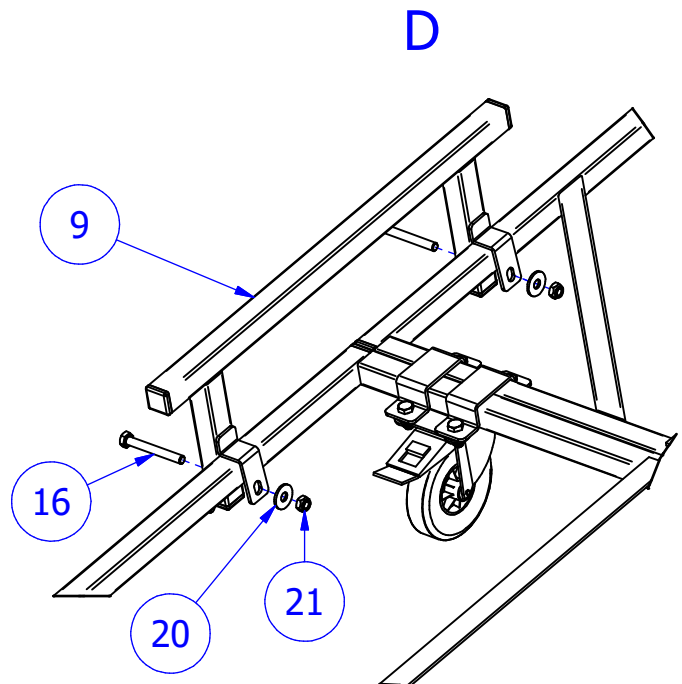
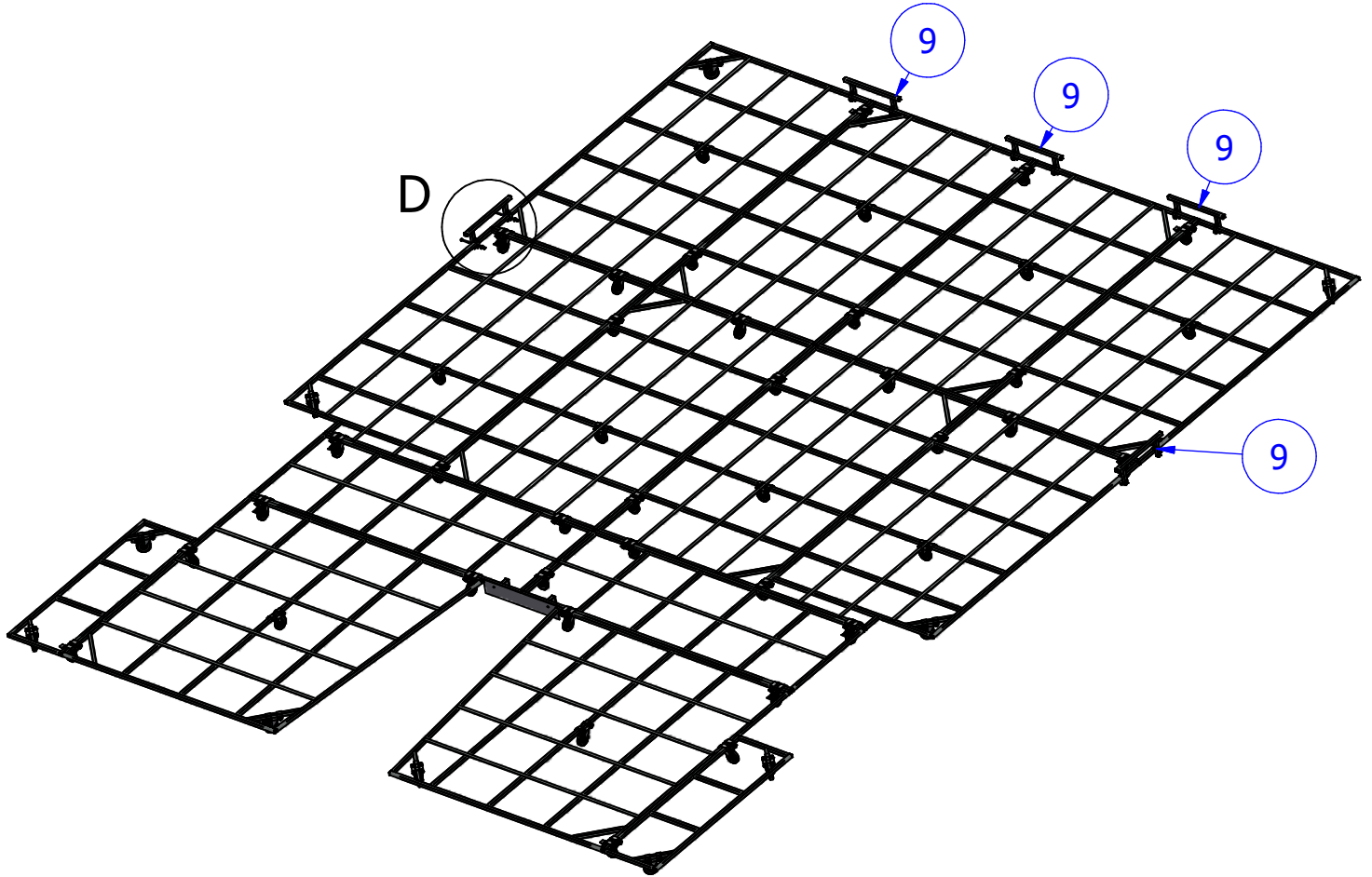
**Duckboard plat  
in top part.**

**Warning duckboard  
direction**



## Duckboard plat

### 5 : Stop garde assembling



## Duckboard plat

### 6 : Hooek and stop bumper plat assembling

