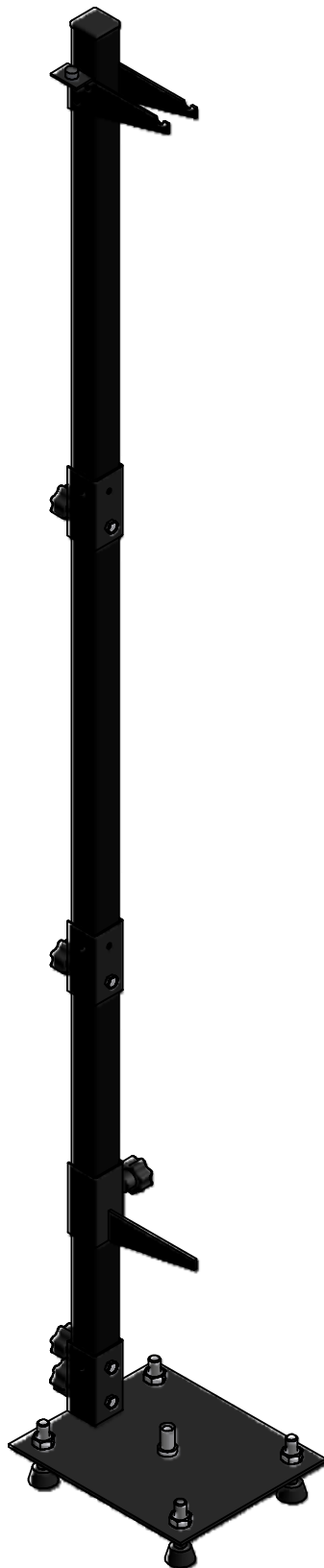


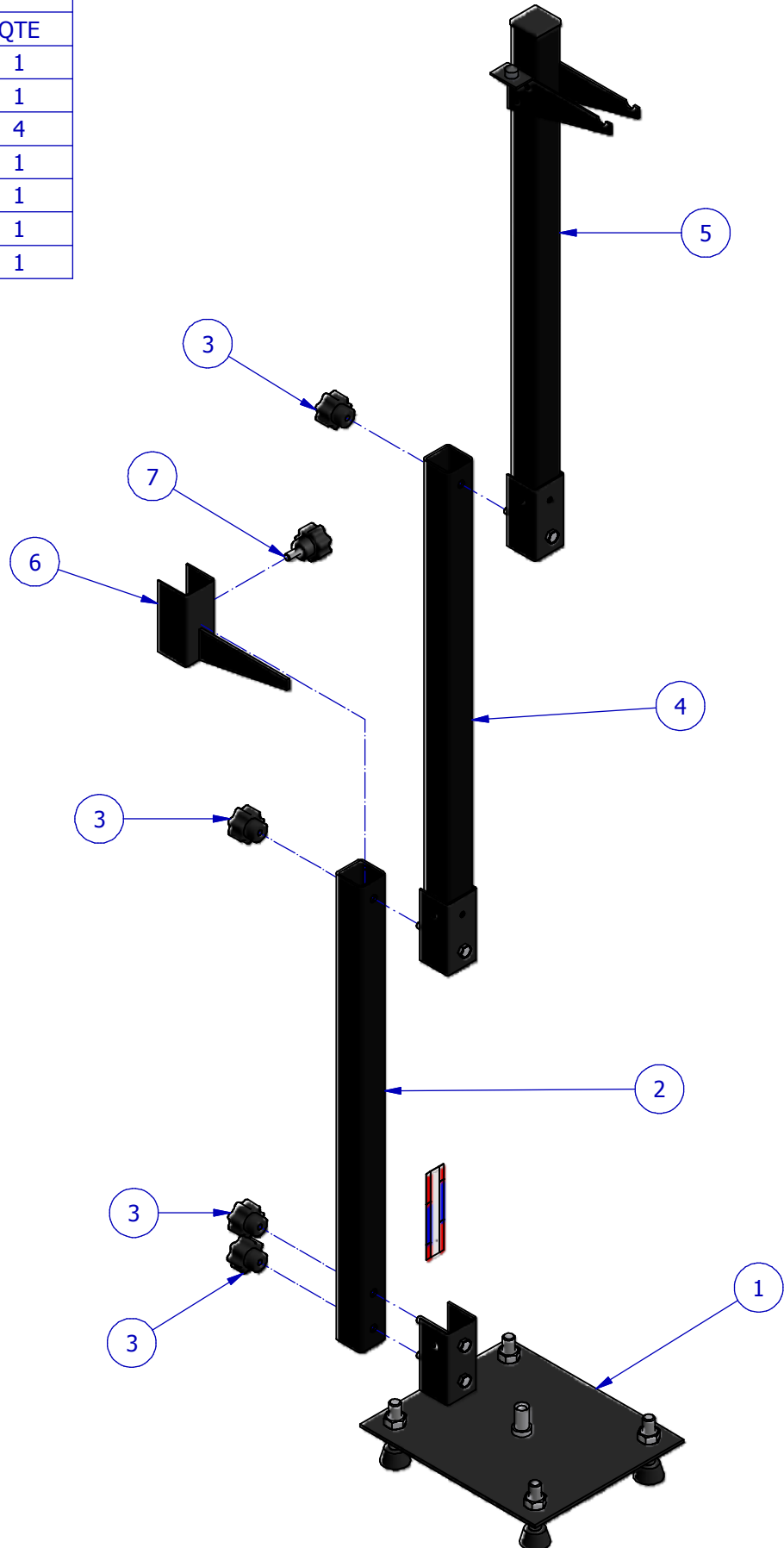
**Judges portable controle device
support for Hammer measurement**



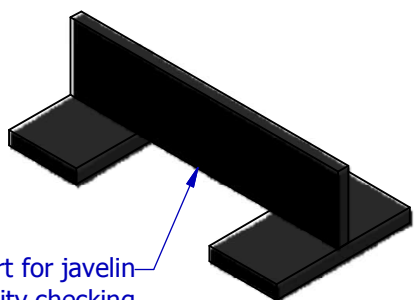
Judges portable controle device support for Hammer measurement

Details of pieces

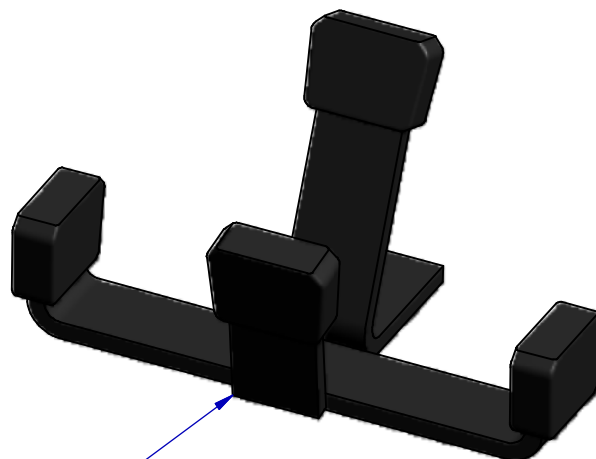
ARTICLE	DESIGNATION	QTE
1	Base supporting frame	1
2	Bottom tube	1
3	Adjusting screw M6	4
4	Midle tube	1
5	Top tube	1
6	Indexing support	1
7	Adjusting screw M6 x 30	1



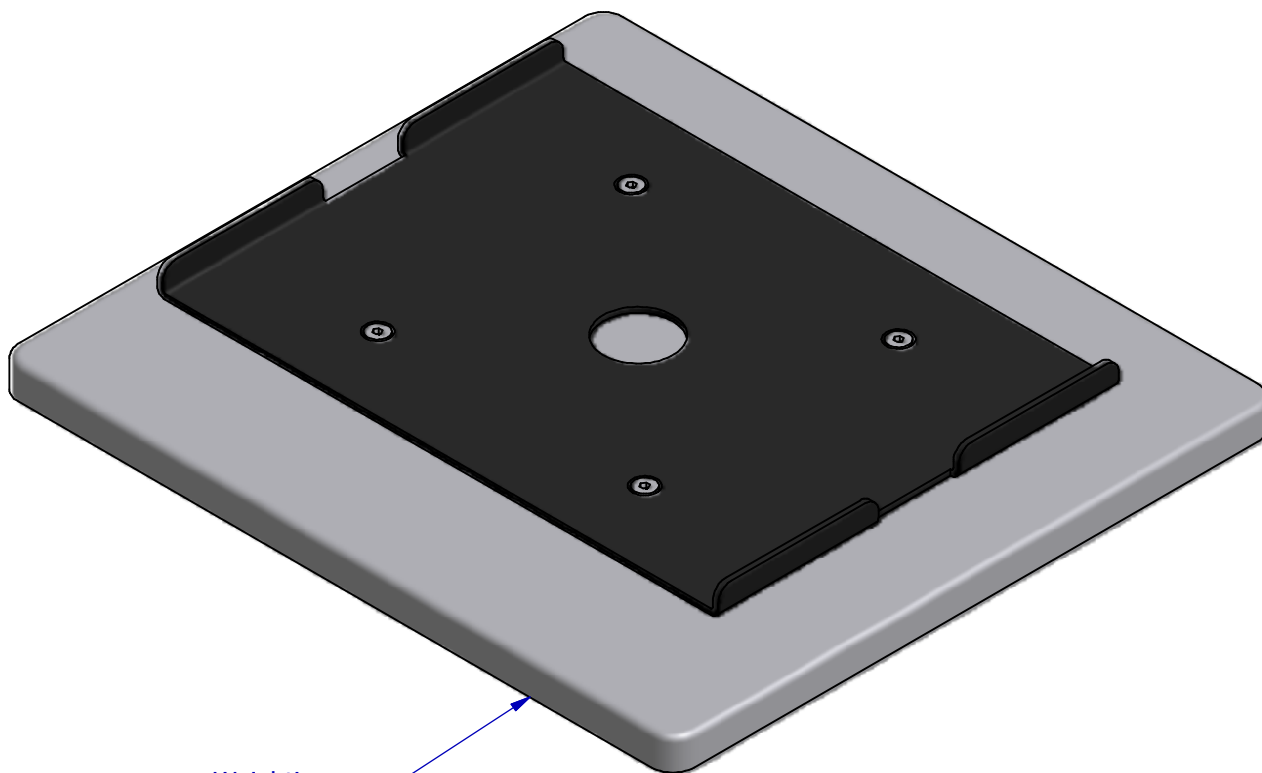
Judges portable controle device support for Hammer measurement



Support for javelin
centre of gravity checking



Support for
discus measurement



Weighting pan