

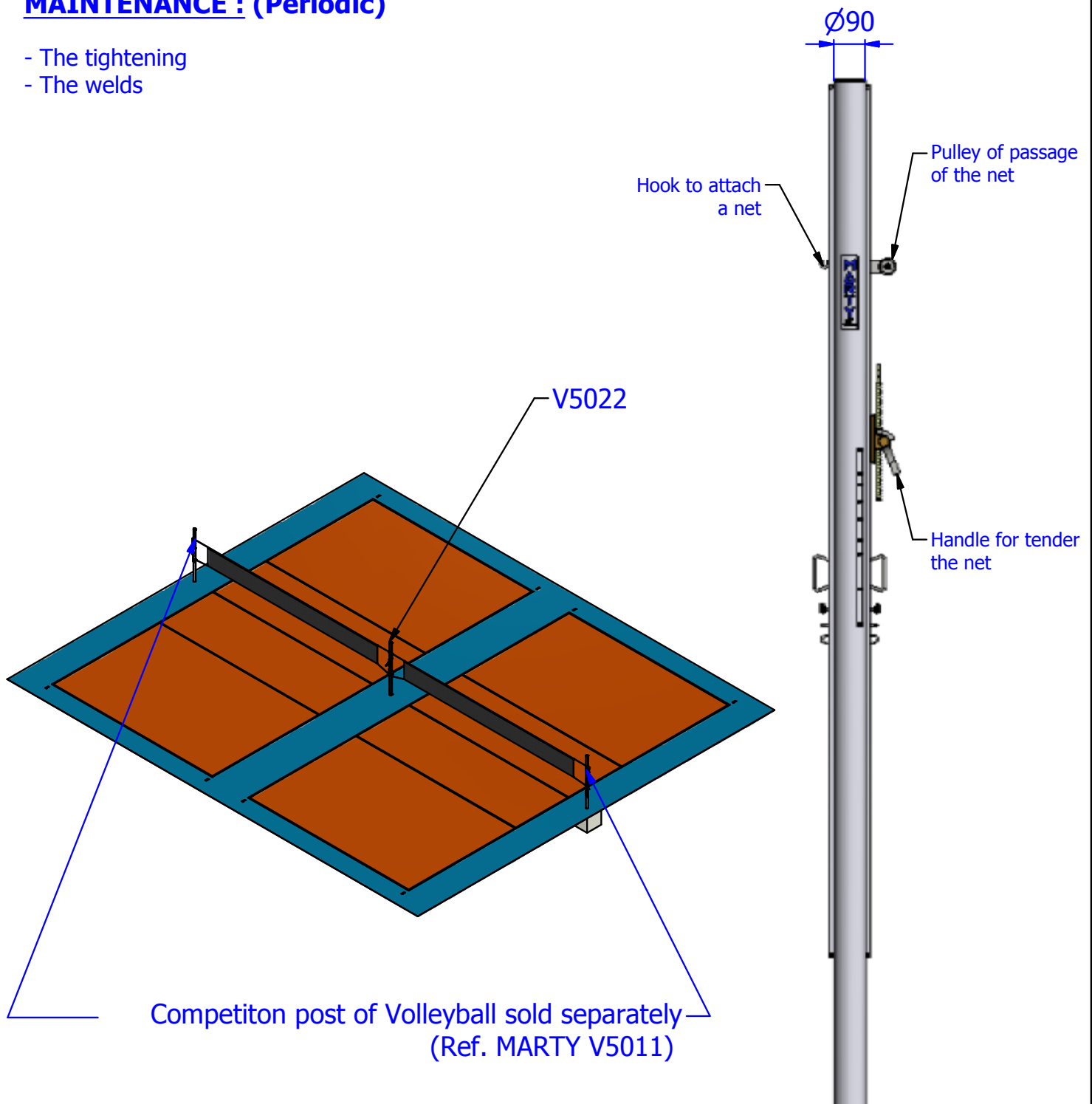
## Double slide Volleyball Uprights

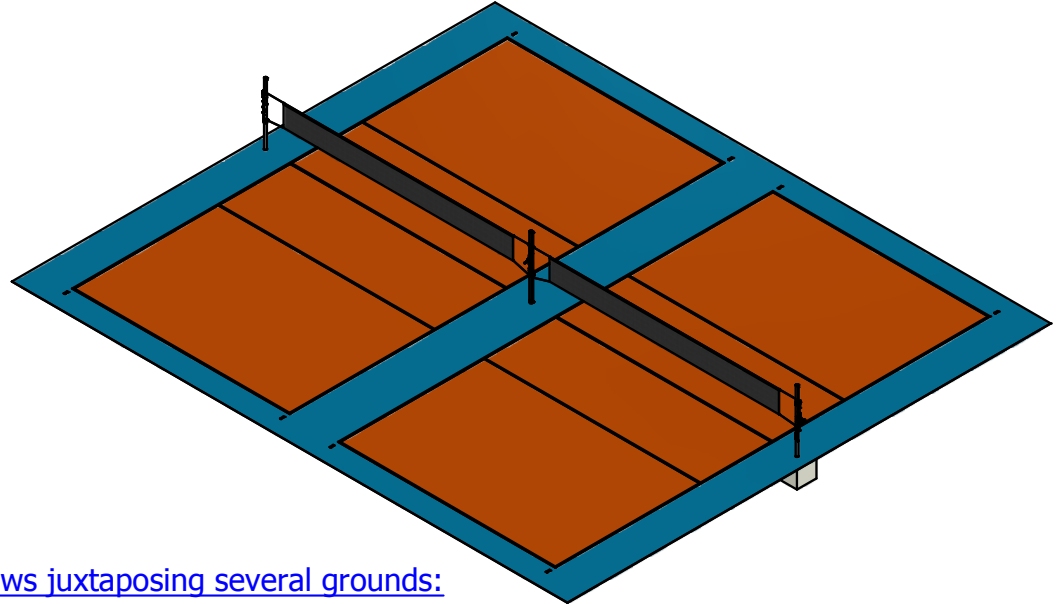
### INSTRUCTIONS OF USES :

- The double post uprights is placed between two posts (V5011 ou V5015).
- Place the post into the ground socket of diameter 95.
- Place the net on the post, then select the desired game heights .
- Tender the net with the handle

### MAINTENANCE : (Periodic)

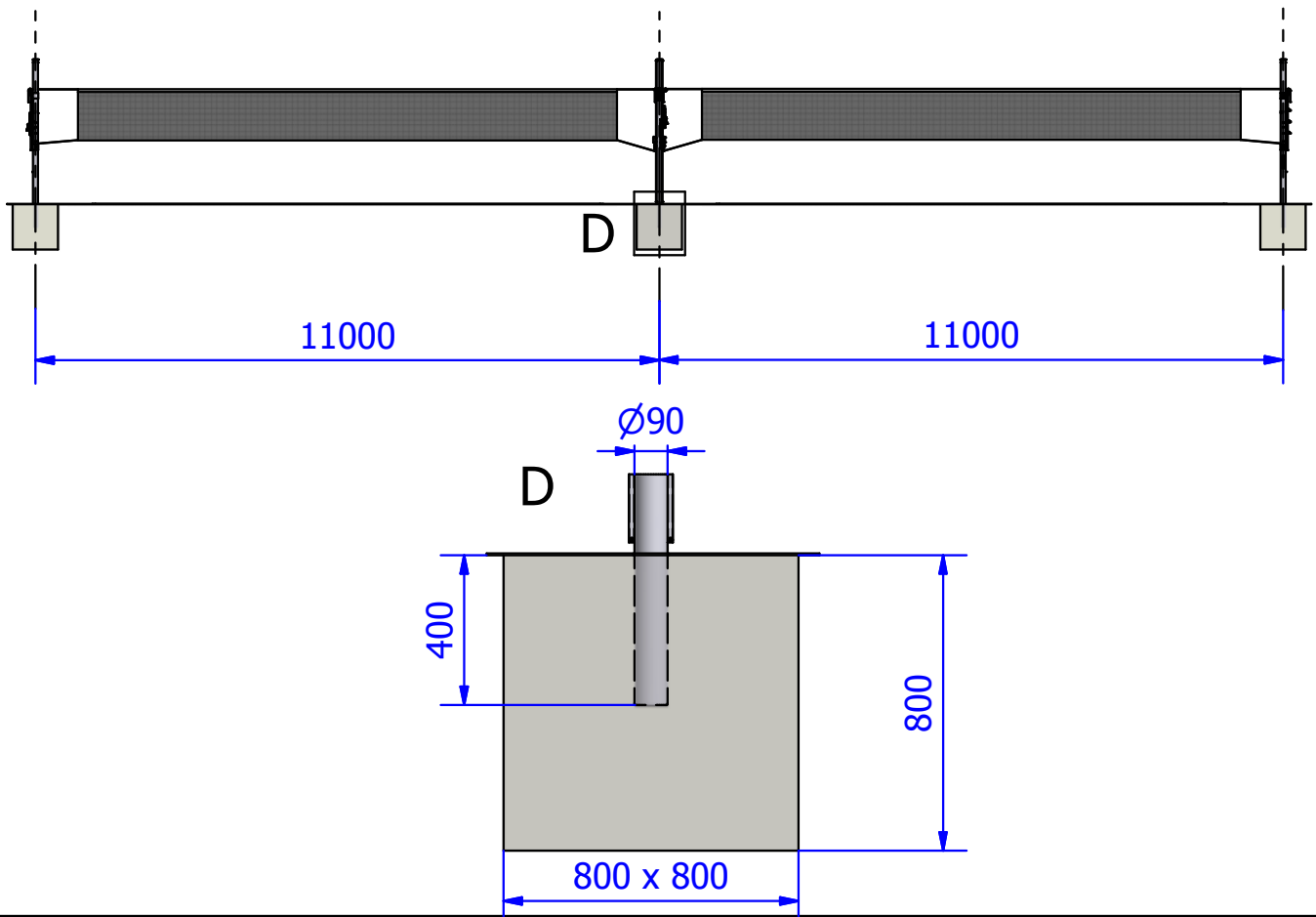
- The tightening
- The welds



**Double slide Volleyball Uprights****1 : Establishment**

The double post runner allows juxtaposing several grounds:

- 2 grounds : 1 post V5022 + one pair of V5011 or V5015
- 3 grounds: 2 posts V5022 + one pair of V5011 or V5015



**Double slide Volleyball Uprights****2 : Details**