

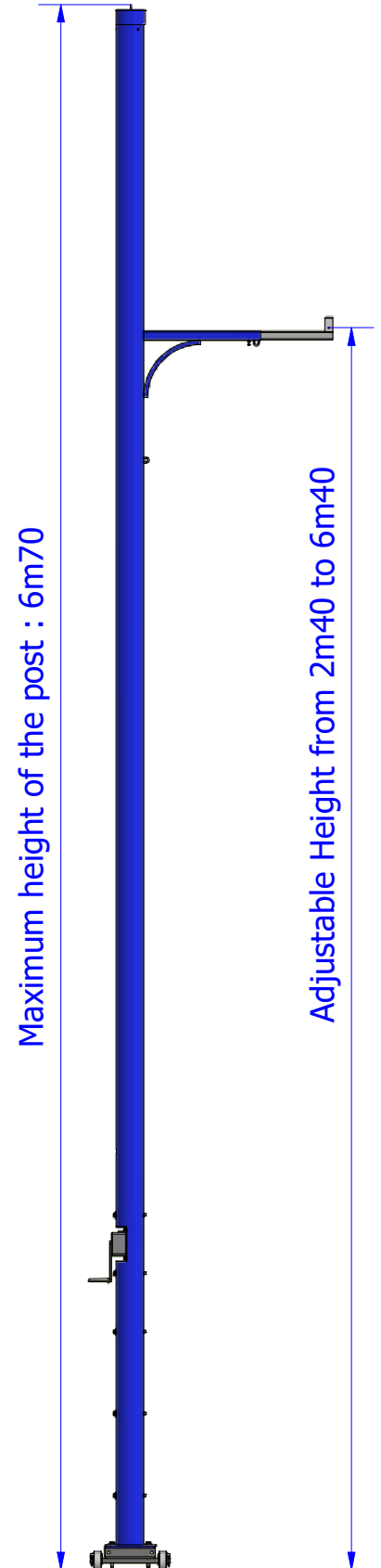
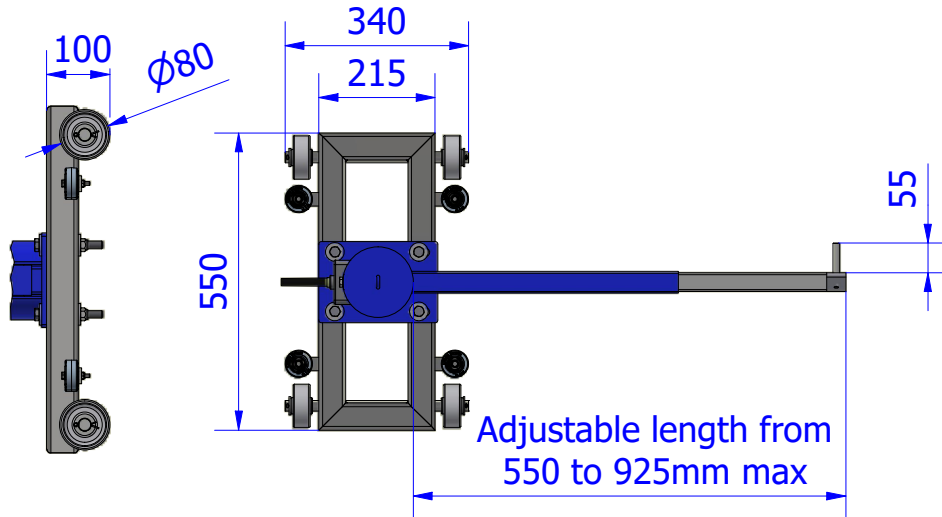
High competition Aluminium PV posts 2013

INSTRUCTIONS OF USES :

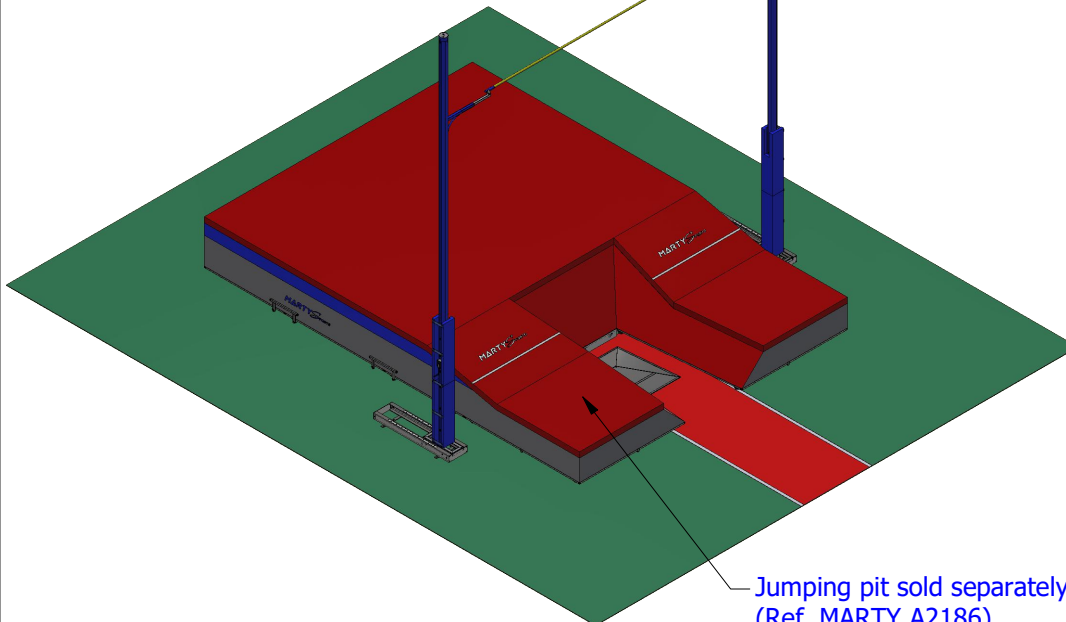
- It is necessary to use posts with rails (sold separately)
- Set up the posts according to the sheet n°3
- In addition to the posts's graduations, we advise you to use a jump measuring rod (sold separately)
- For the best security, we advise you to equip your rails with protections in foam (sold separately)

MAINTENANCE : (PERIODIC)

- Check the general condition of the posts
- Check the general condition of the rails



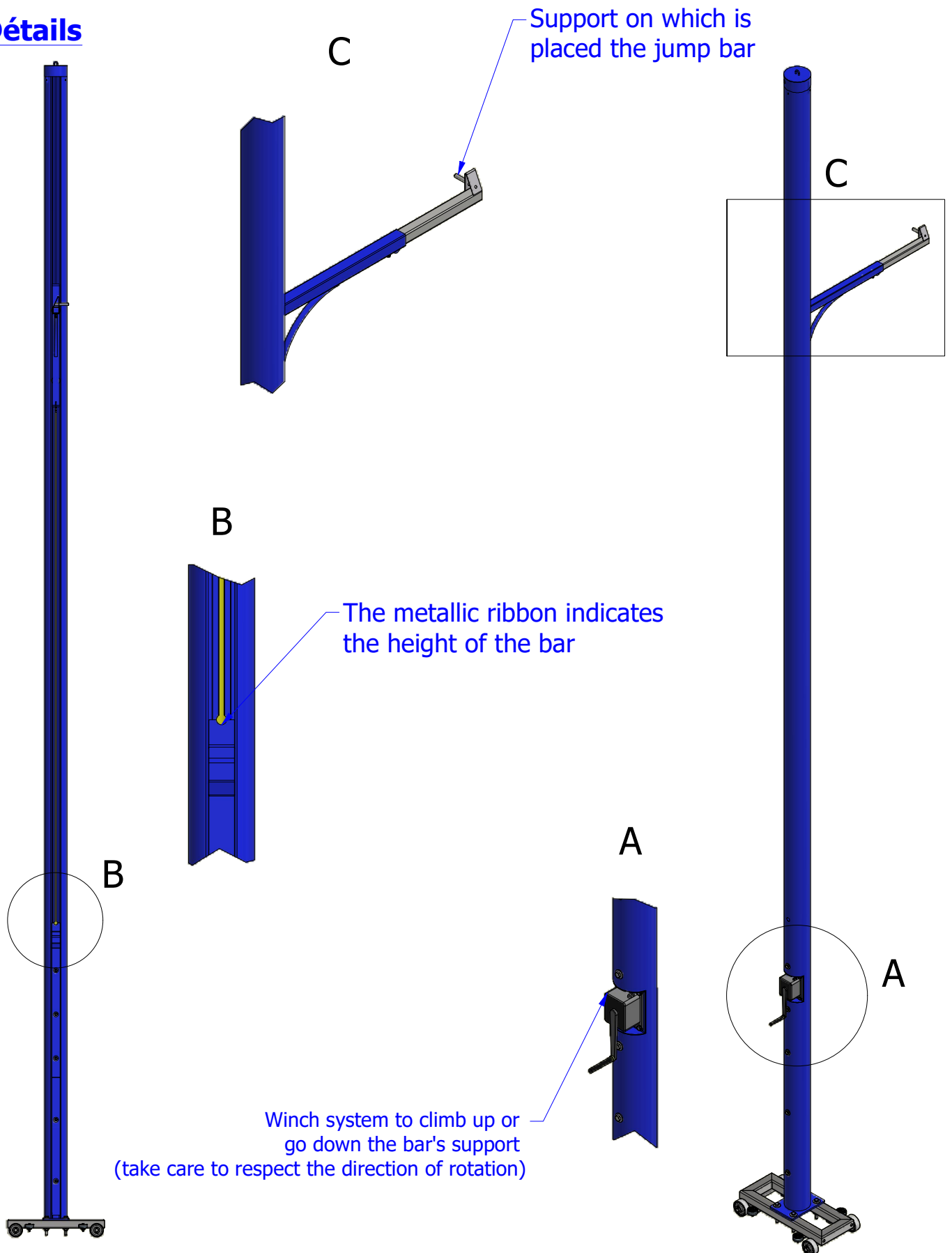
Jump pole bar competition,
sold separately (Ref. MARTY A1920)



Jumping pit sold separately
(Ref. MARTY A2186)

High competition Aluminium PV posts 2013

1 : Détails



High competition Aluminium PV posts 2013

2-Setting-up

- The position of the rails may vary slightly if there is a complete shelter or only the jumper.

