

NET RISER**CAUTION :**

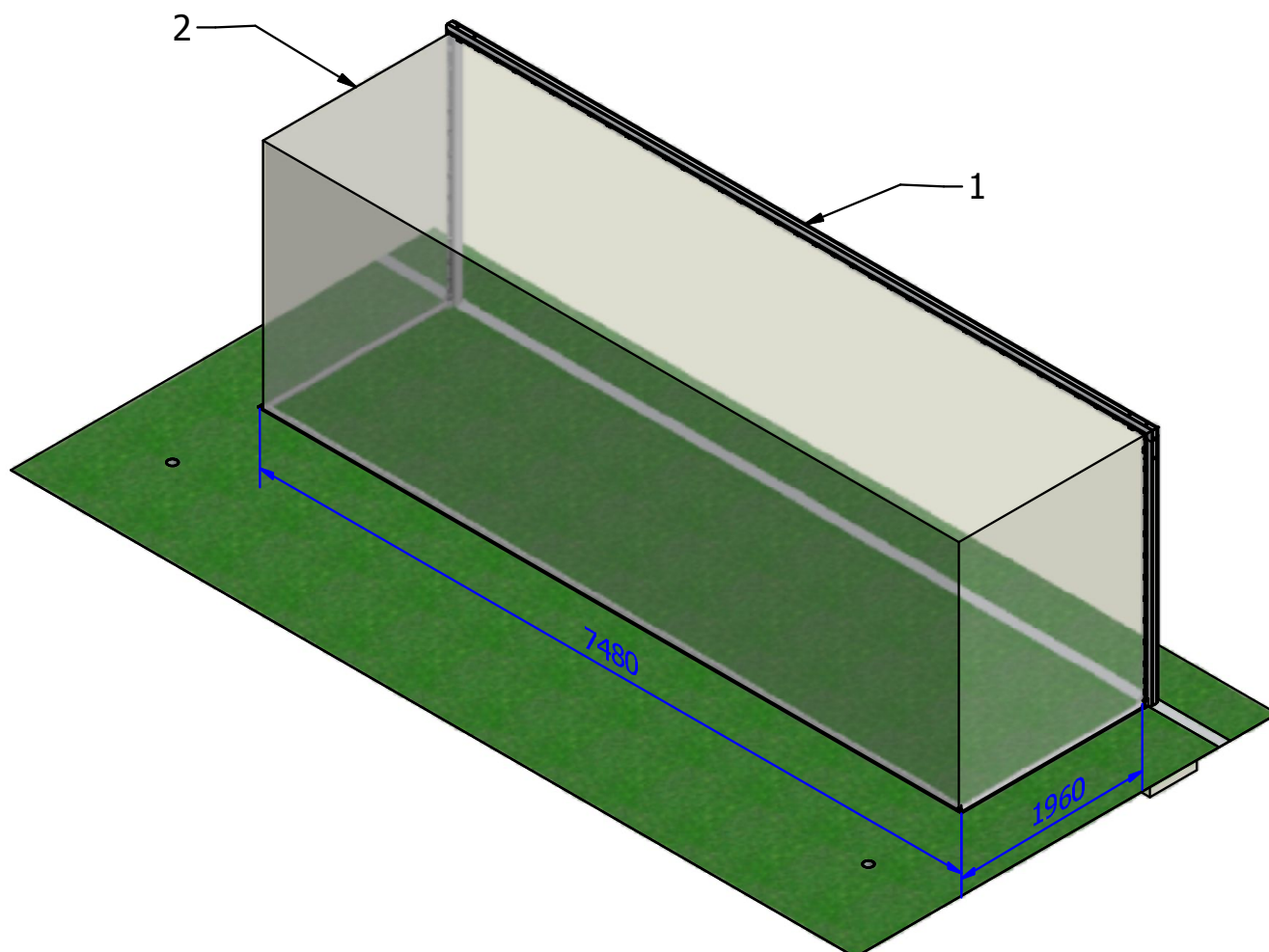
- Braid the net in its all length.
- Elastic to maintain the net.

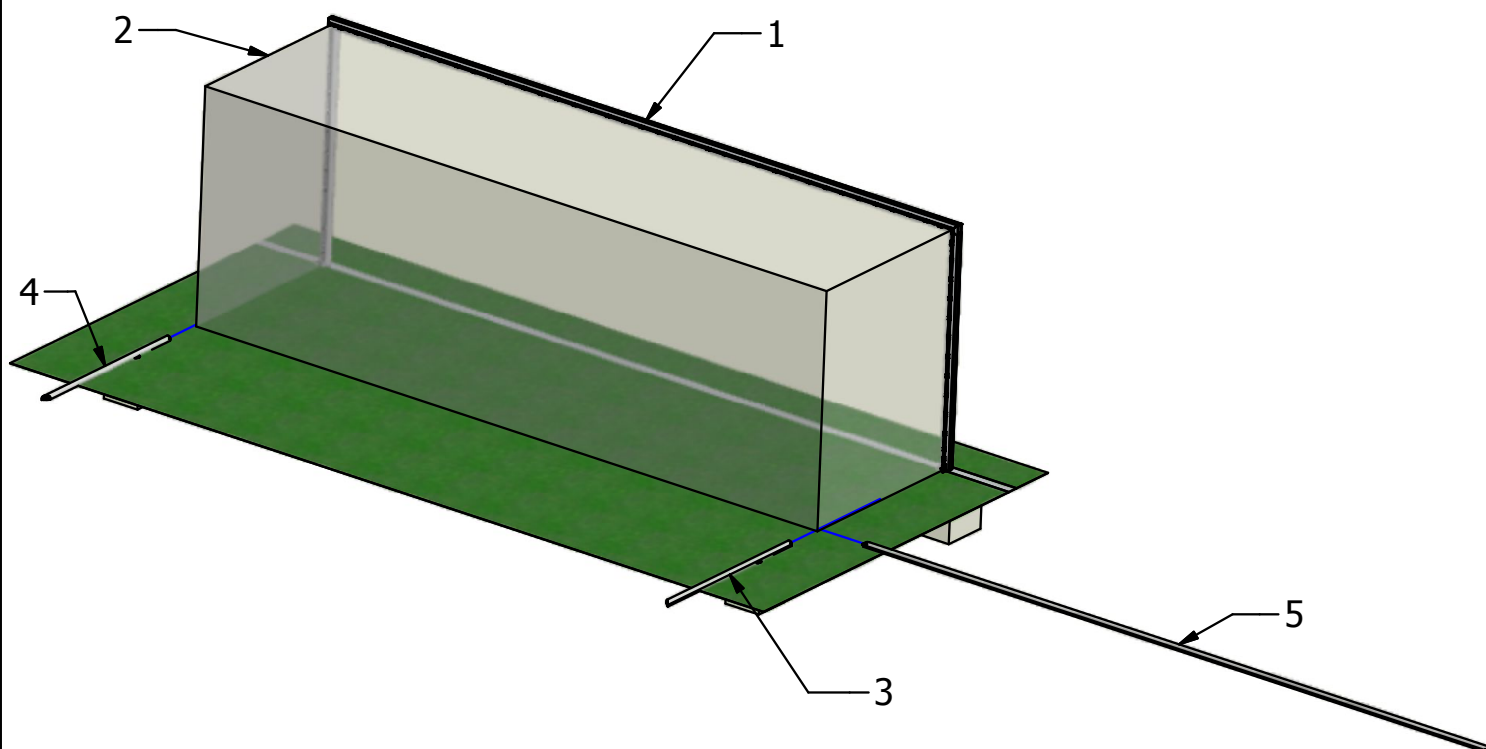
MAINTAINANCE :

- Check solderings.
- Check tightennings.

LIST OF SPARE PARTS

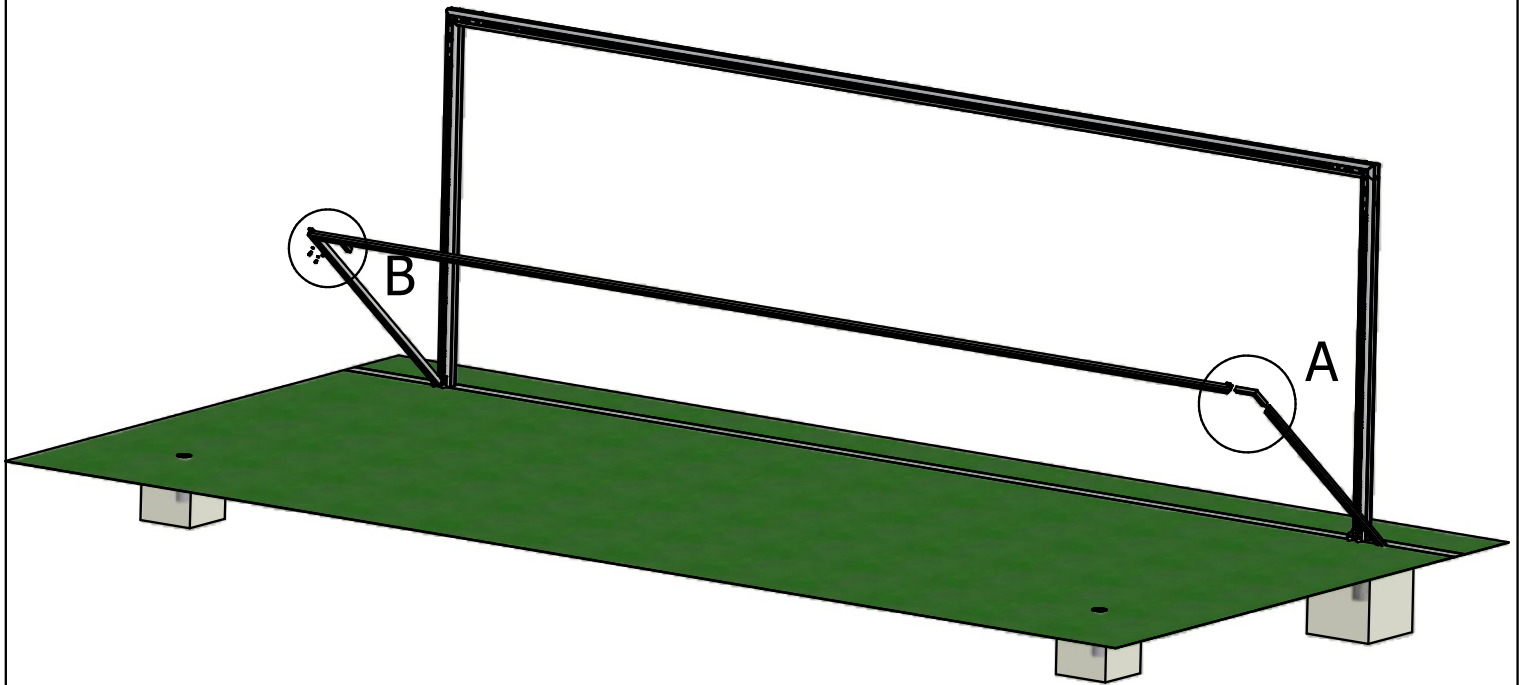
ARTICLE	QTY	NUMBER OF PIECE
1	1	Football Goal F8040
2	1	Net
3	1	Left part of net riser
4	1	Right part of net riser
5	2	Net riser crossbar
6	2	Assembling bracket
7	8	Clamp for F8034
8	8	Flat Wishe M6 \varnothing ext = 13 mm
9	2	Hexago head screw M6 x 10
10	2	Poelier Head Screw M8 x 80
11	2	Nut brake M8



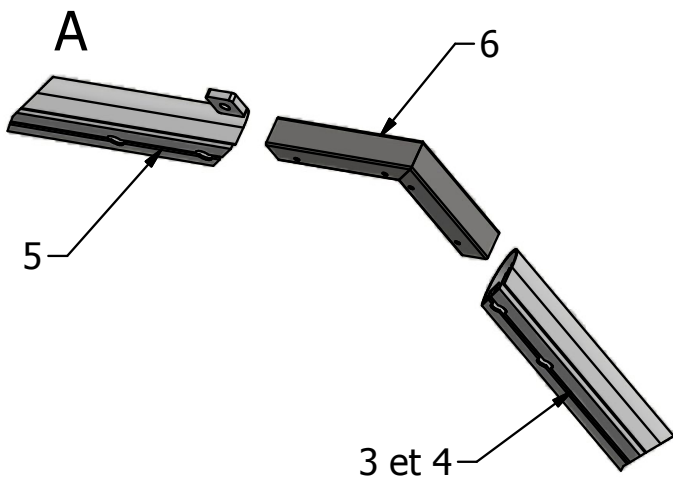
NET RISER**1**

Braid each part of the net riser (3) (4) and (5) between the net mesh. The net riser must pass in each mesh of the net (inside, outside...)

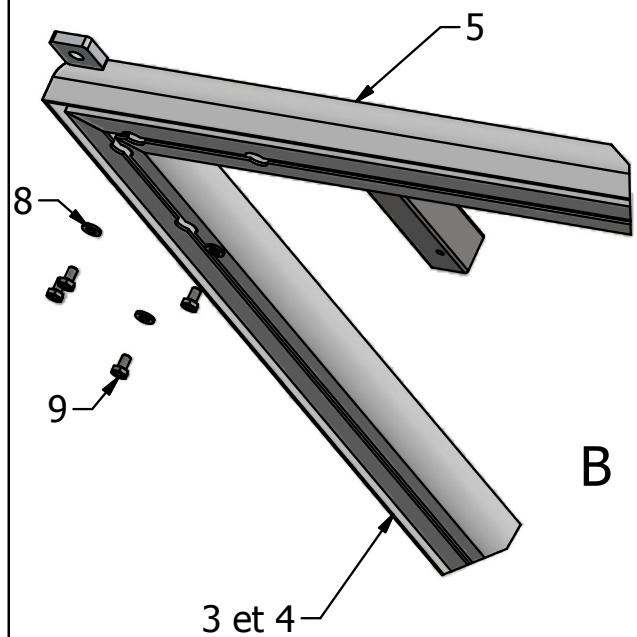
NET RISER



2

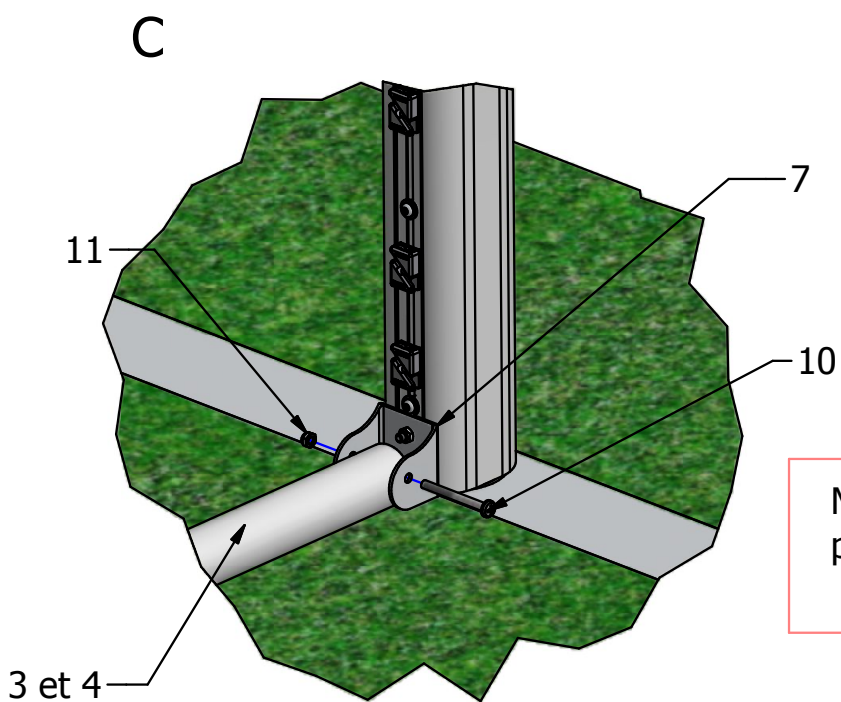
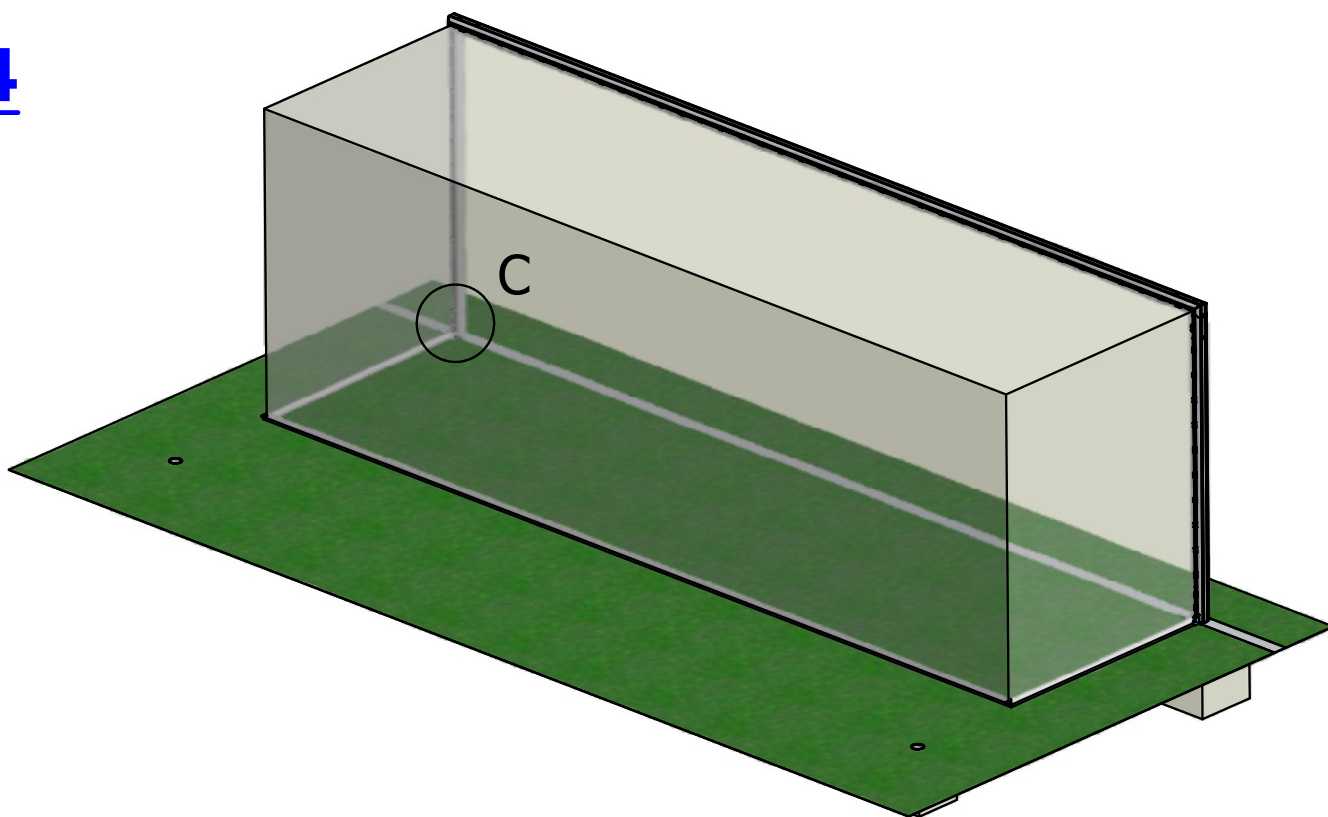


3



NET RISER

4



Make sure the nut brake (11) is placed outside of the goal