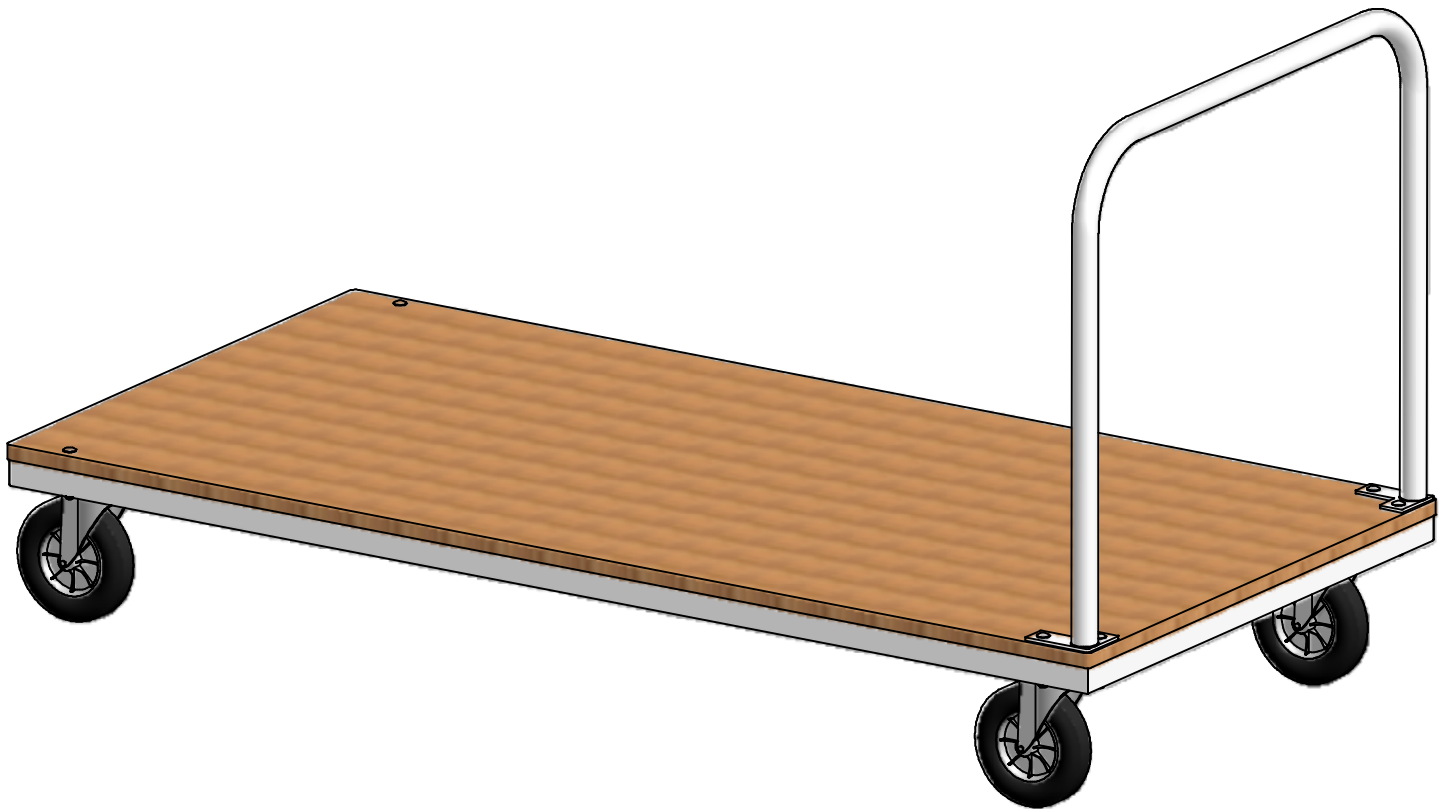


**Storage Rack****CAUTION :**

- Indoor and outdoor.
- Maximum weight : 600 kg.

**MAINTAINANCE :**

- Check soldering.
- Check the tightenings.
- Check the wheels.



## Liste de pièces

ARTICLE	DESIGNATION	QTE
1	Base of the trolley	1
2	Fence to puch the rack	1
3	Screw TRCC M8 x 80	4
18	Screw nut M10	16
19	Screw TH M10 x 20	16

## Storage rack

**1**

