

Mobile hammer throwing cage
CAUTION :

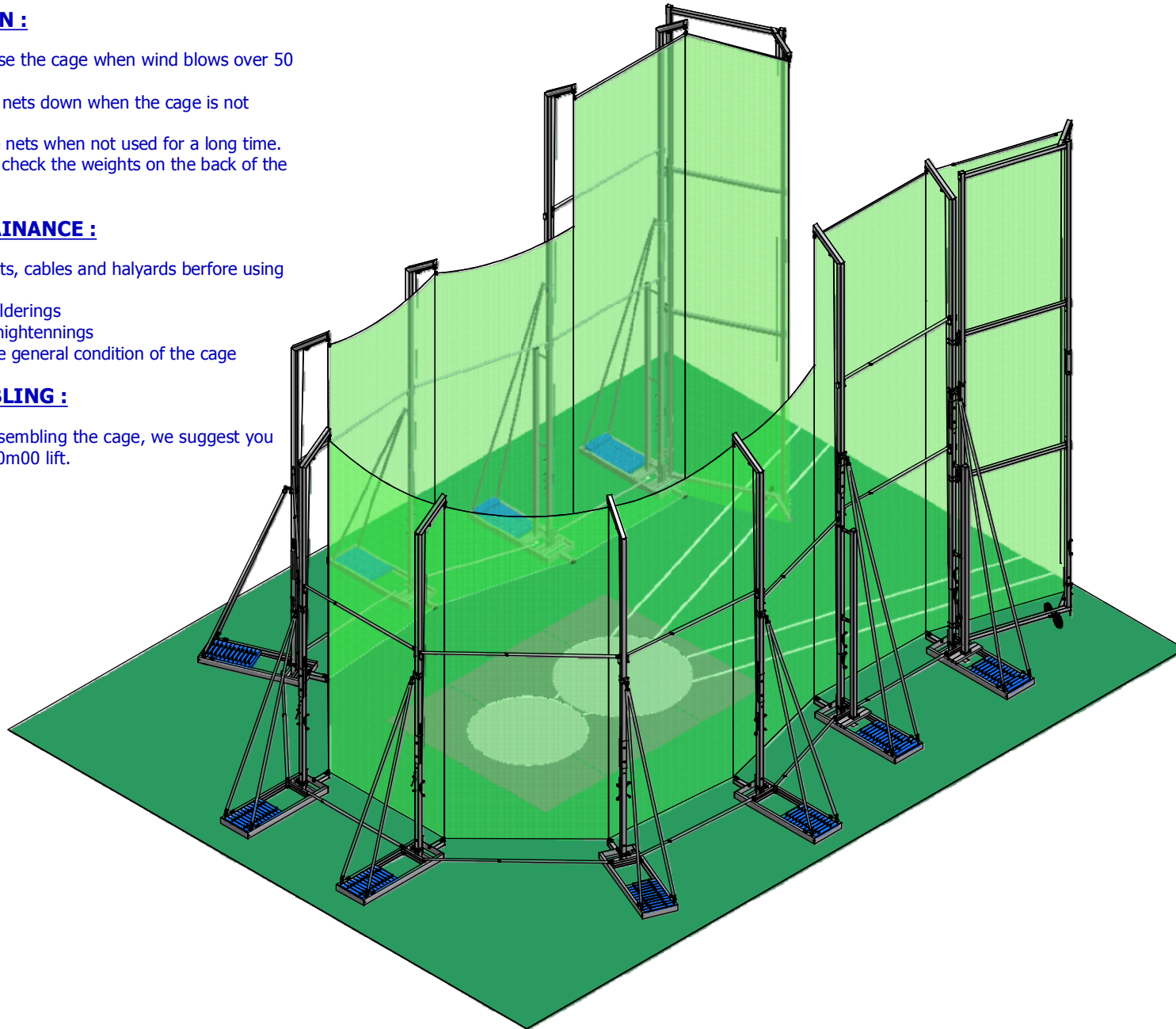
- Do not use the cage when wind blows over 50 km/h.
- Take the nets down when the cage is not used.
- Store the nets when not used for a long time.
- Carefully check the weights on the back of the bases.

MAINTAINANCE :

- Check nets, cables and halyards before using the cage
- Check solderings
- Checks thightennings
- Check the general condition of the cage

ASSEMBLING :

- When assembling the cage, we suggest you to use a 10m00 lift.



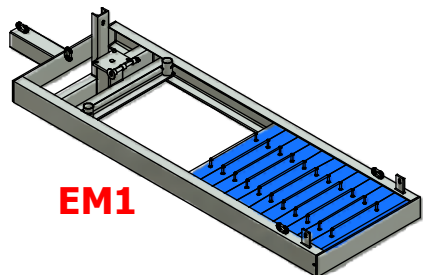
Liste de pièces

ARTICLE	DESIGNATION	QTE
1	Mobile base for 7m00 posts	6
2	Mobile base for 10m00 posts	4
3	Simple weight for base	110
4	Double weight for base	8
5	Truss for mobile base	10
6	Articulation axe for posts	10
7	Articulated bottom of post of 7m00	6
8	Articulated bottom of post of 10m00	4
9	Top of post	10
10	Connection in between bottom and top posts	20
11	Cross-struts	20
12	Tie-bar fixing on post	10
13	Short tie-bar	12
14	Lon tie-bar	8
15	Strengtheners for 10m00 posts	4
16	Adjustable hinges	6
17	Door bottom right	1
18	Door top right	1
19	Door bottom left	1
20	Door top left	1
21	Bottom door post	4
22	Top door post	4
23	Doors cross-struts	4
24	Strengtheners for door cross-struts	8
25	Door hinges	4
26	Strengtheners for door cross-struts (219A)	8
27	Hinge's axe for front post	4
28	Hinge's axe for front door	6
29	Hinge pin for doors	2
30	Rod for net door	2
31	Rod for 10m00 post net	2
32	Net	1
33	White halyard	1
34	13m00 green halyard	6
35	18m00 green halyard	6
36	Snap link Ø8	8
37	Stirrup C90	32
38	Screw TH M12 x 50	56
39	Washer Ø12L	64
40	Washer Ø12Z	112
41	Screw-nut M12	120
42	Screw TH 10 x 110	70
43	Screw TH M10 x 40	42
44	Washer Ø10L	224
45	Screw-nut M10	112
46	Screw TH M8 x 50	40
47	Screw-nut M8	40
48	Screw M6 x 20	20
49	Washer Ø6L	20
50	Screw-nut M6	20
51	Screw TH M5 x 25	20
52	Screw-nut M5	20
53	Wire cable for door	2
54	Green PVC fixing rings	100
55	Cable steel of preservation of the net (lg 19m)	1

Mobile hammer throwing cage

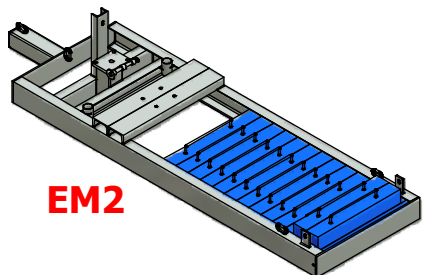
1 : Installation, mixte hammer cage

Mobile base for 7m00 posts

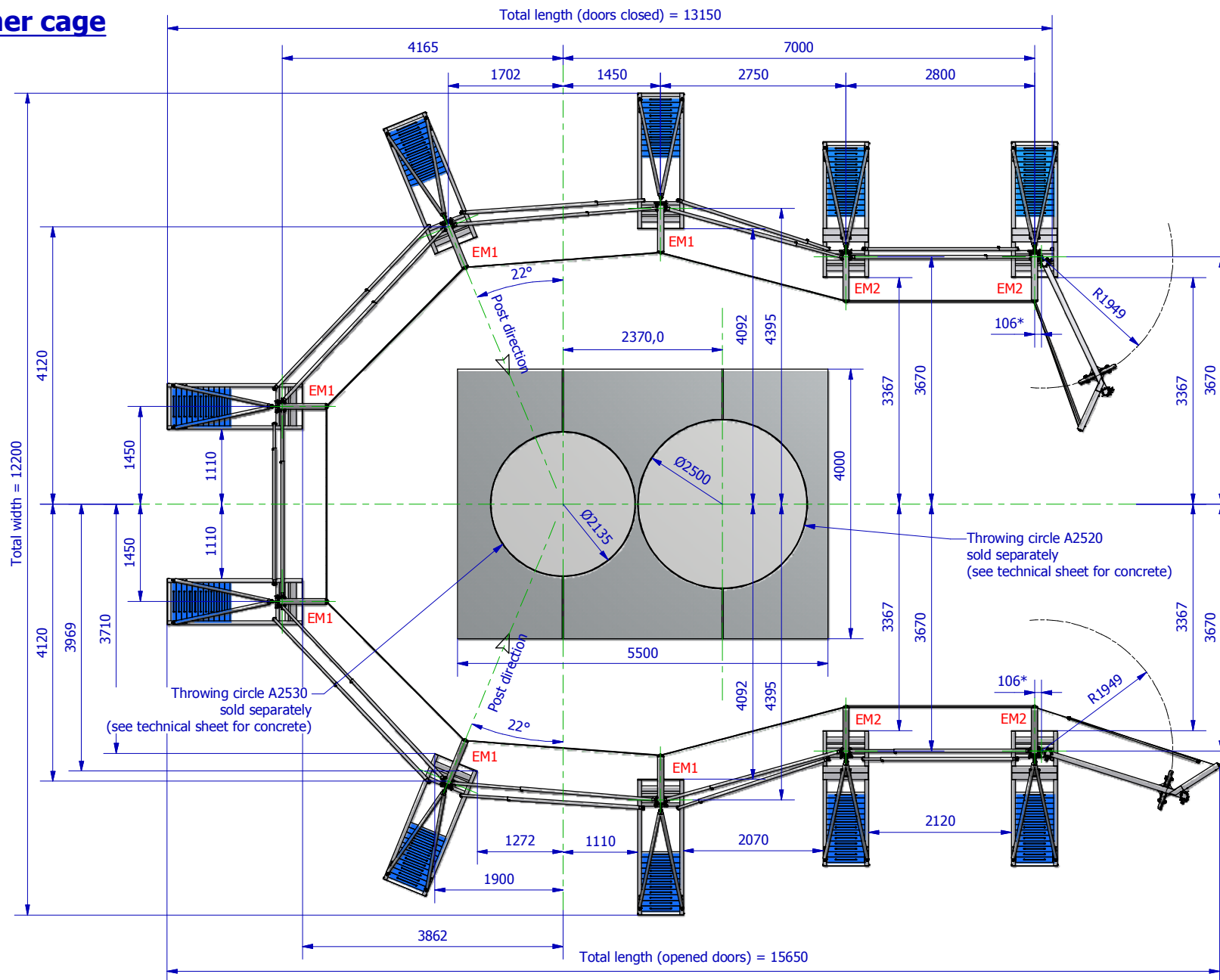


EM1

Mobile base for 10m00 posts



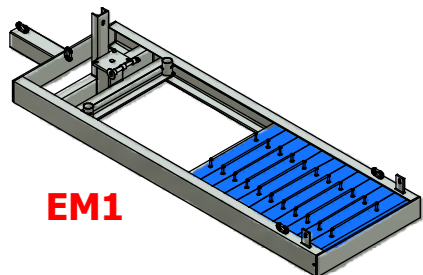
EM2



Mobile hammer throwing cage

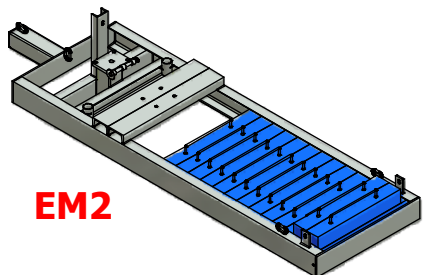
2 : Installation, hammer cage

Mobile base for 7m00 posts

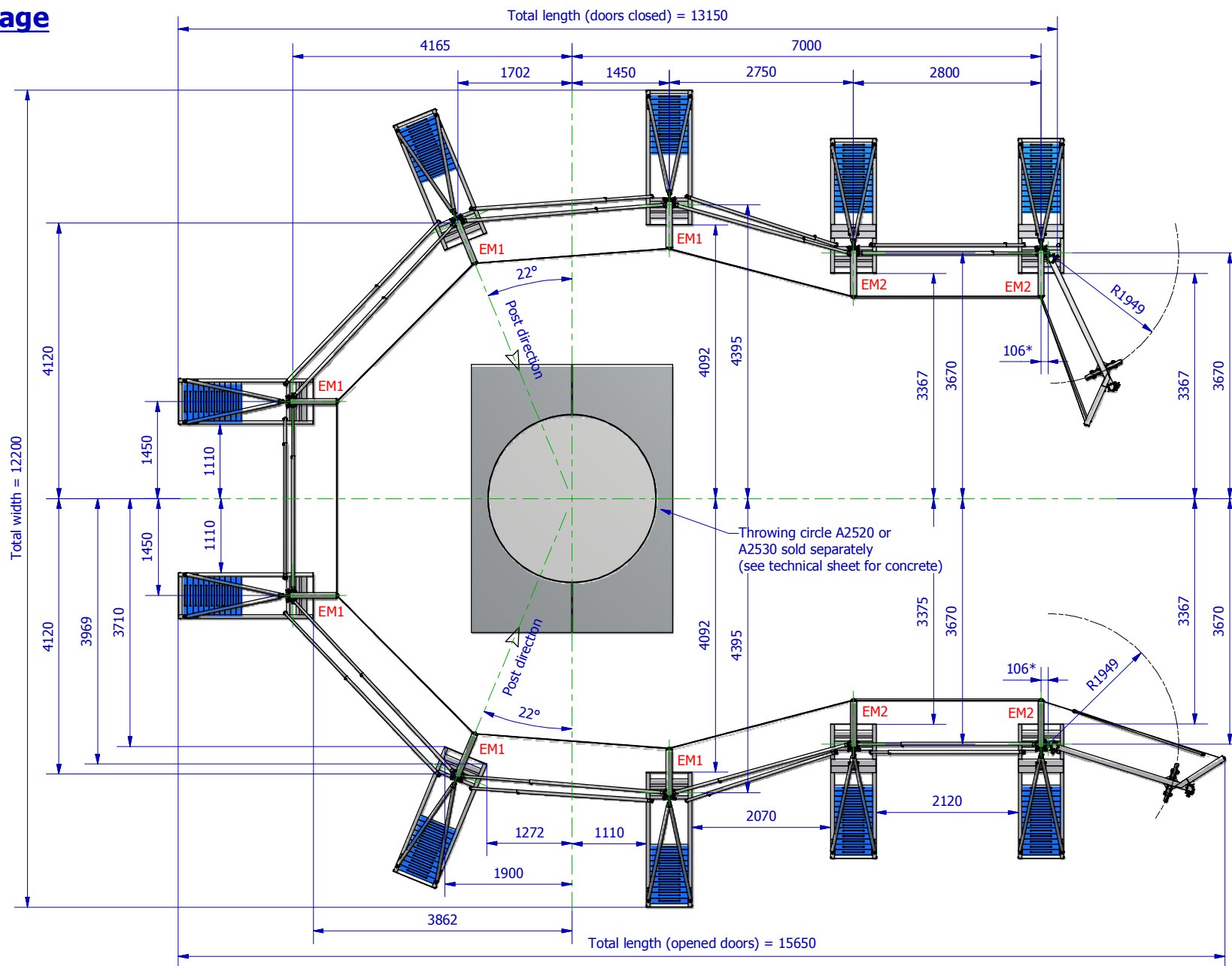


EM1

Mobile base for 10m00 posts

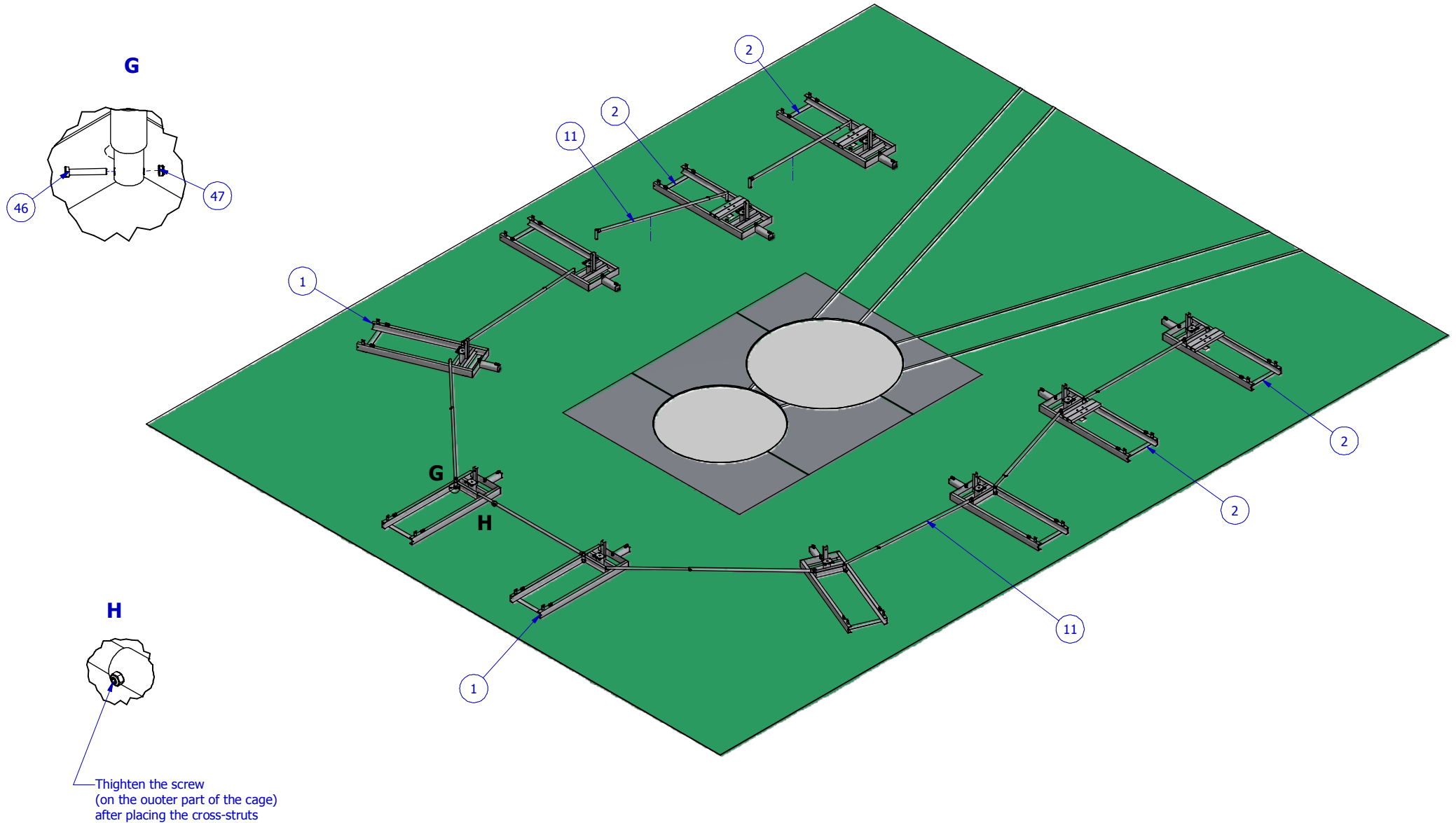


EM2

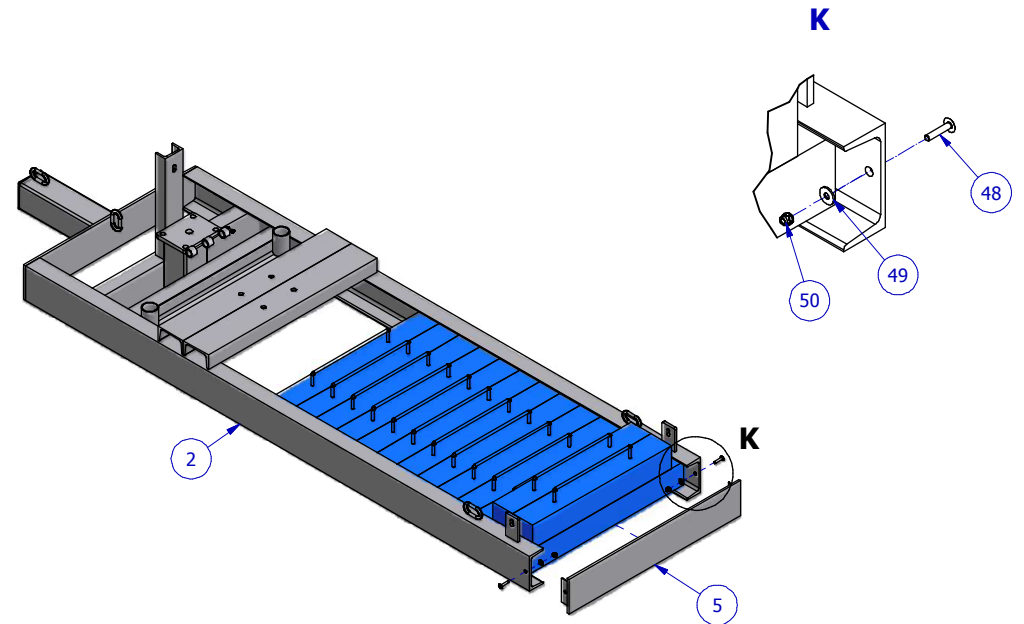
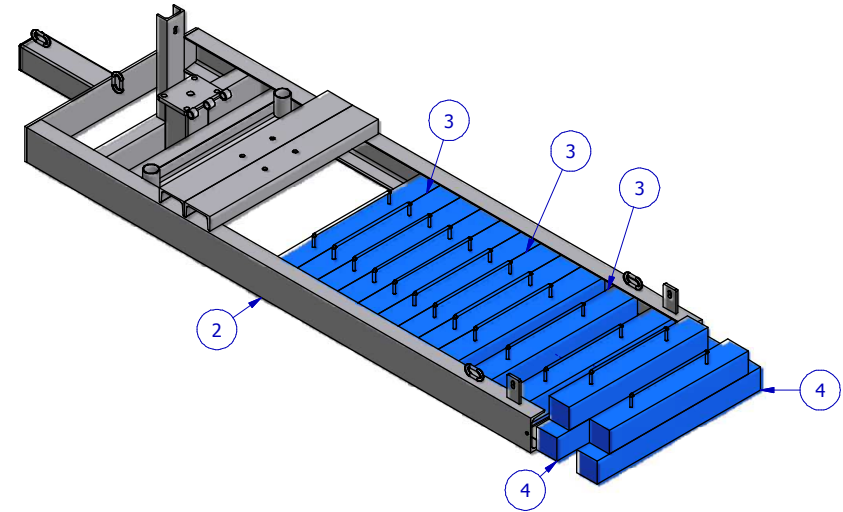
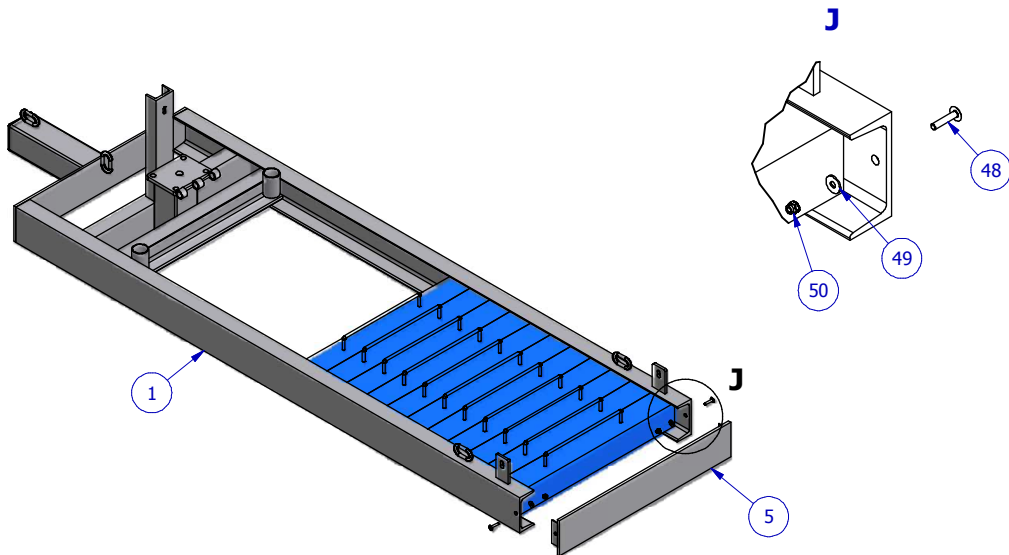
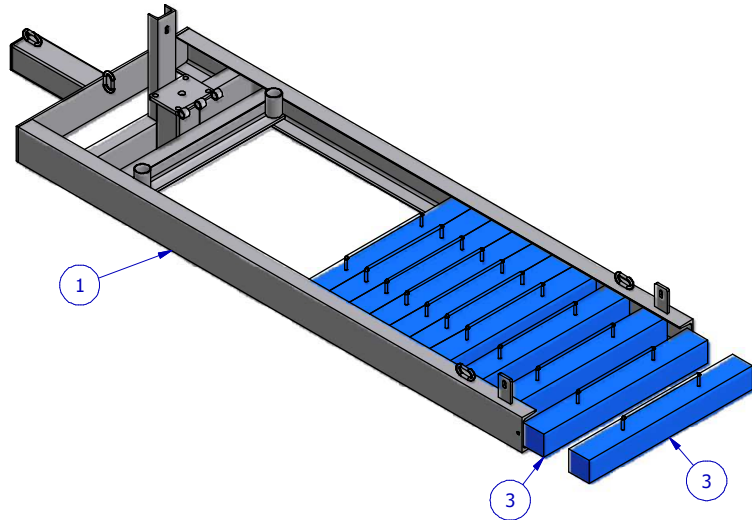


Mobile hammer throwing cage

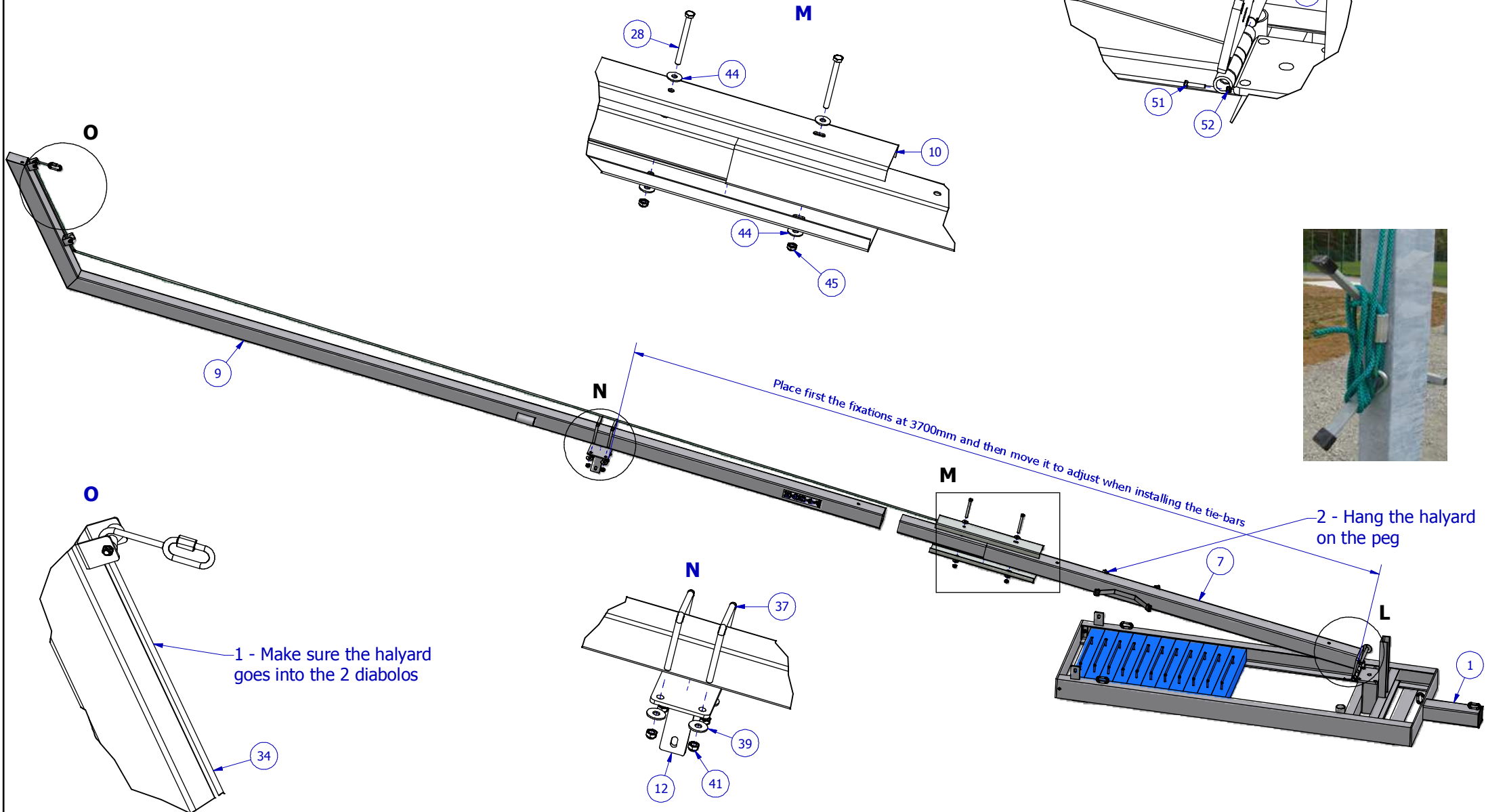
Certified product IAAF N° E-00-0238

3 : Installation of bases and Cross-struts

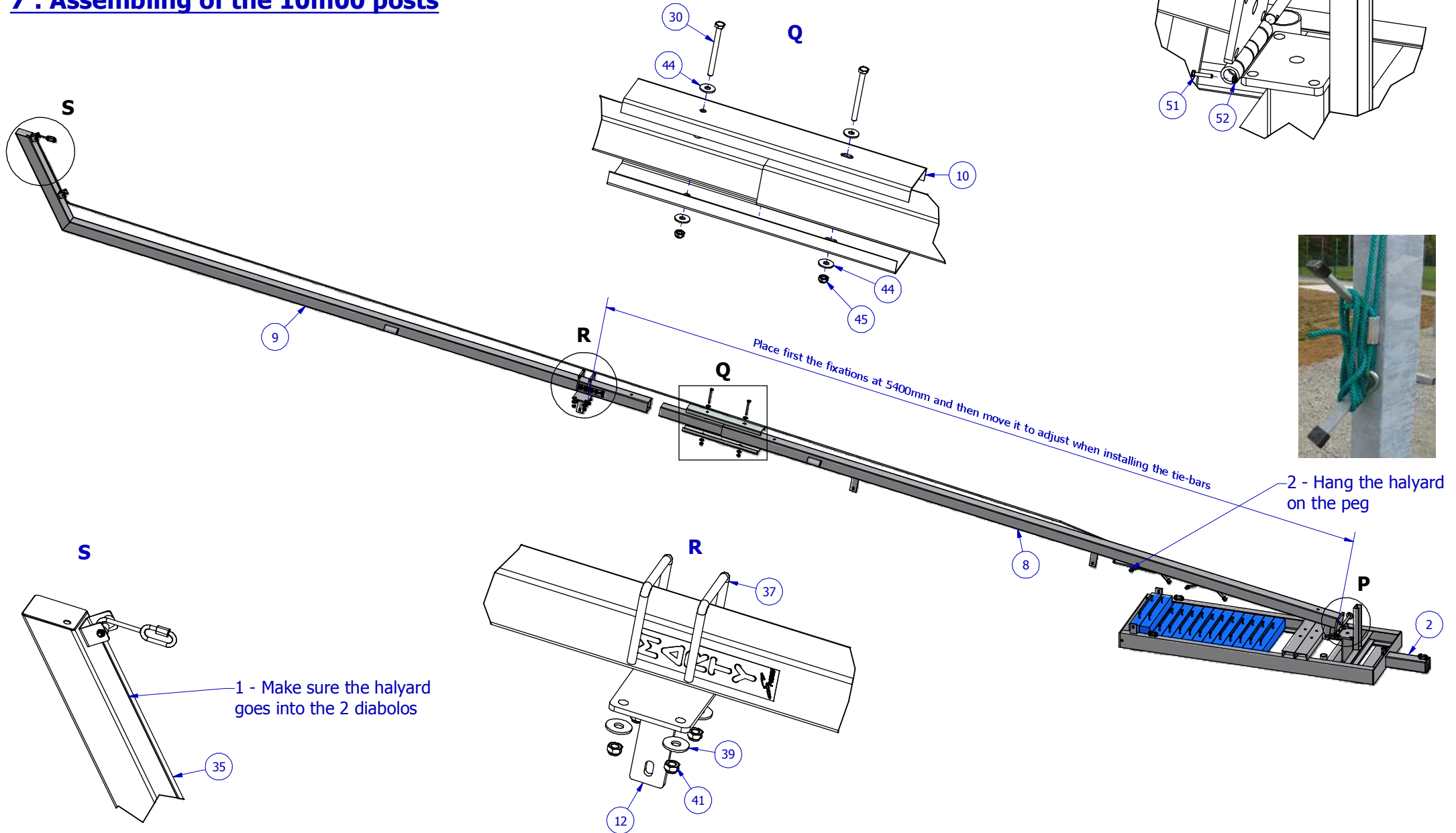
4 : Installation of the weights on bases EM1



6 : Assembling of the 7m00 posts

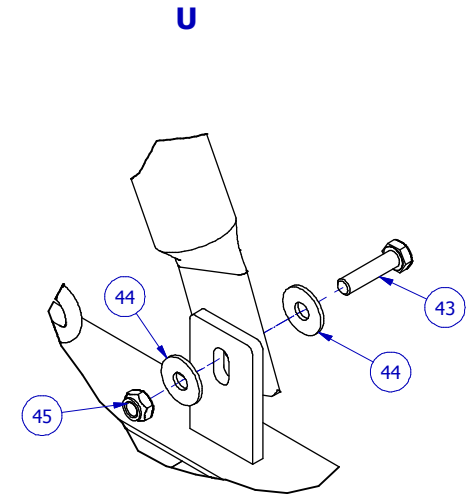
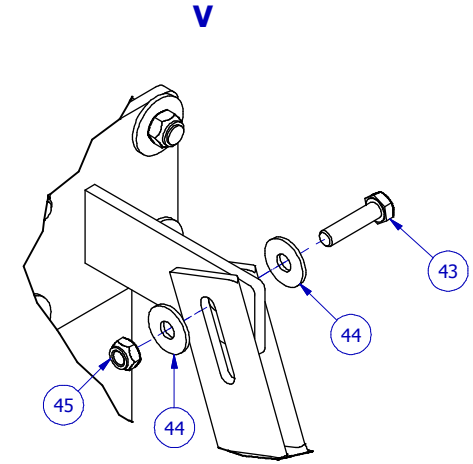
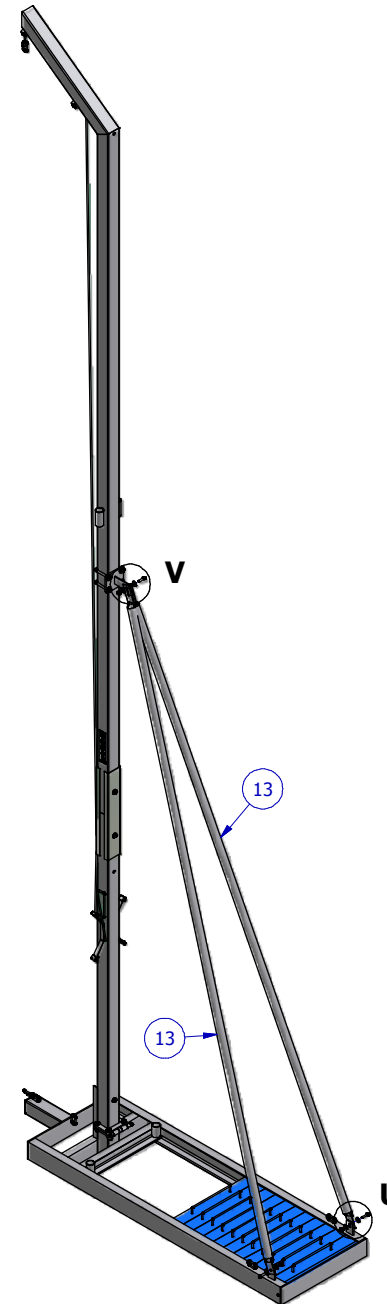
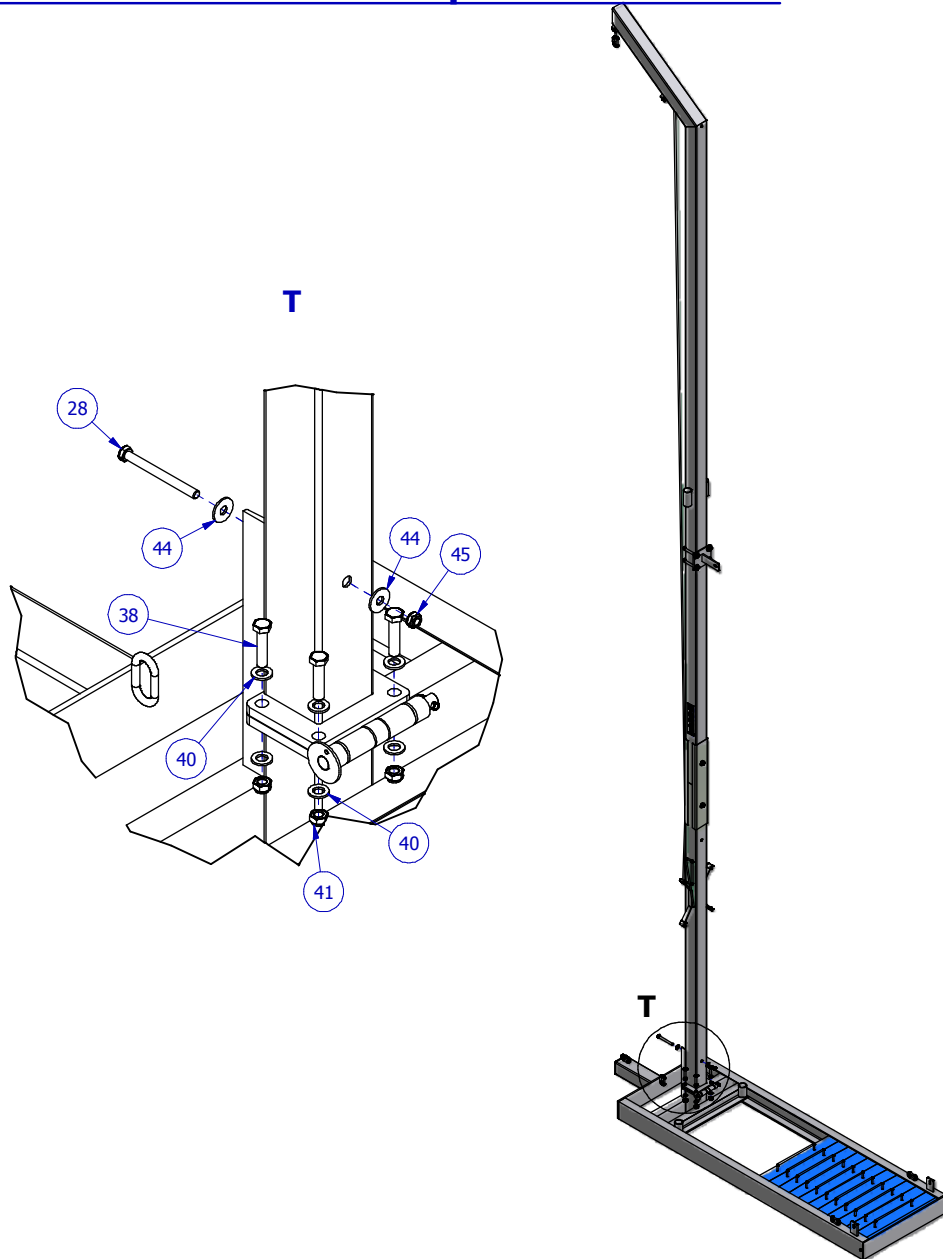


7 : Assembling of the 10m00 posts

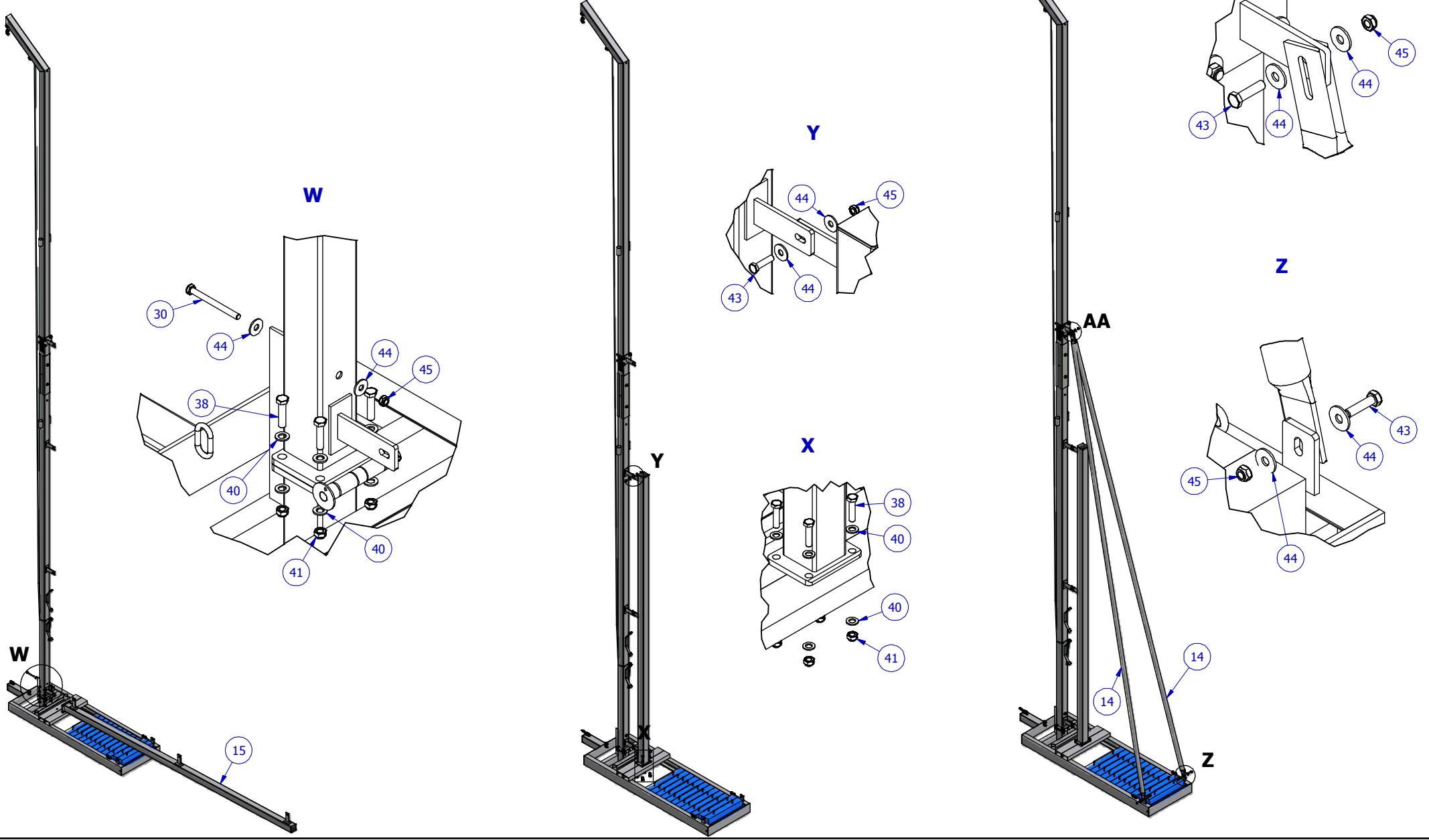


Mobile hammer throwing cage

8 : Installation of the 7m00 posts and tie-bars

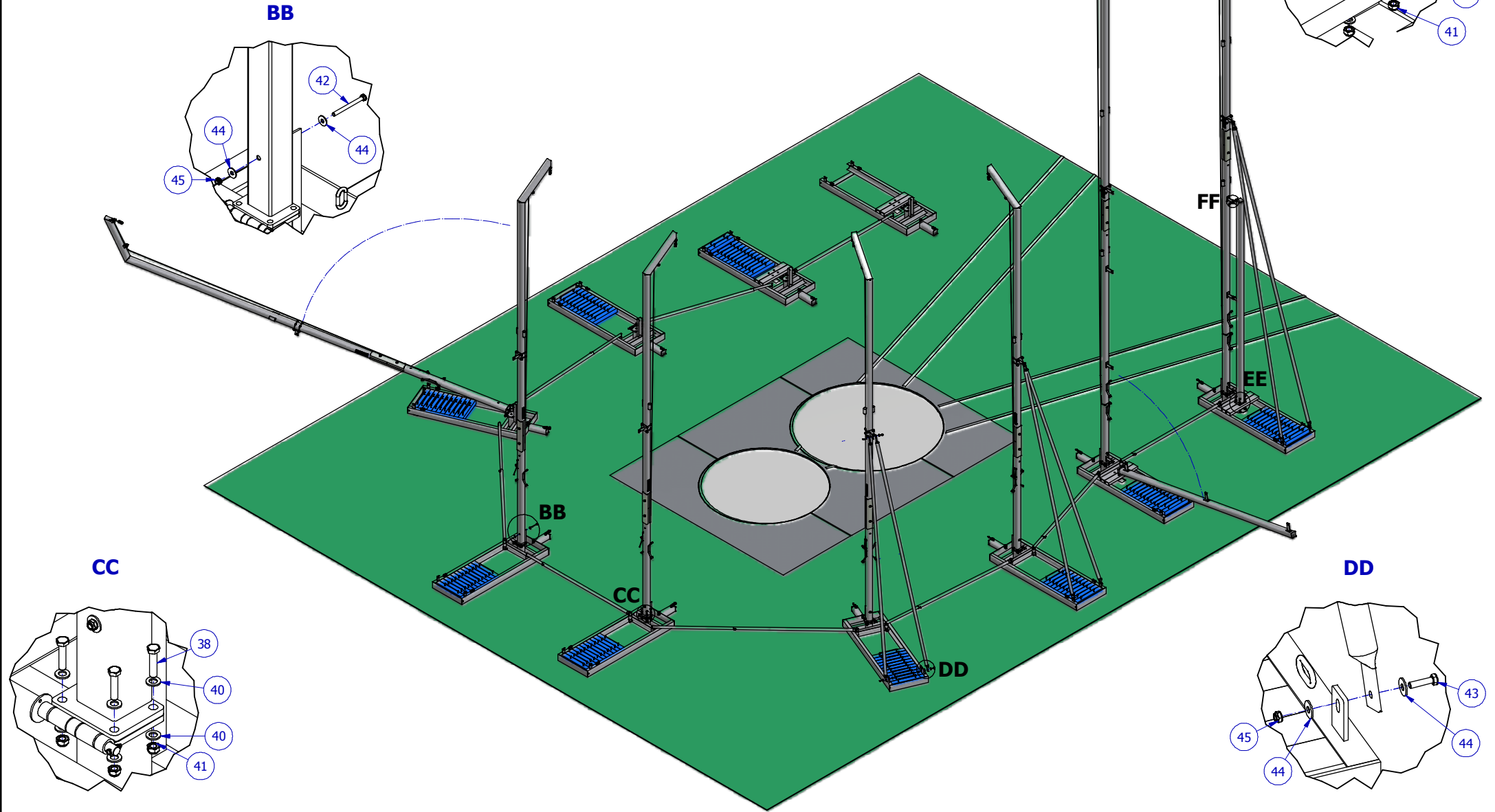


9 : Installation of the 10m00 posts and tie-bars

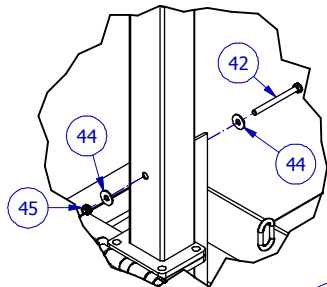


Mobile hammer throwing cage

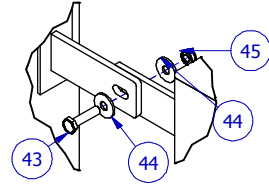
10 : Installation overview



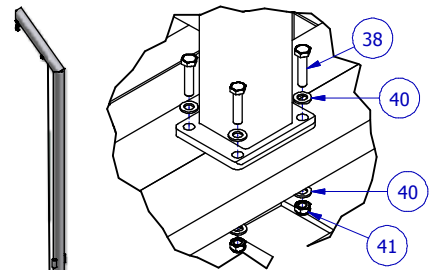
BB



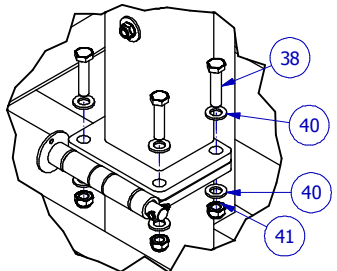
FF



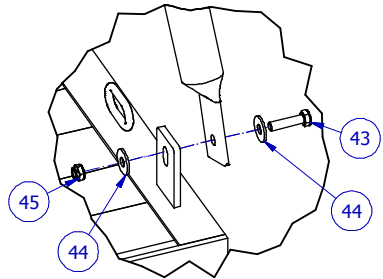
EE



CC



DD



FF

EE

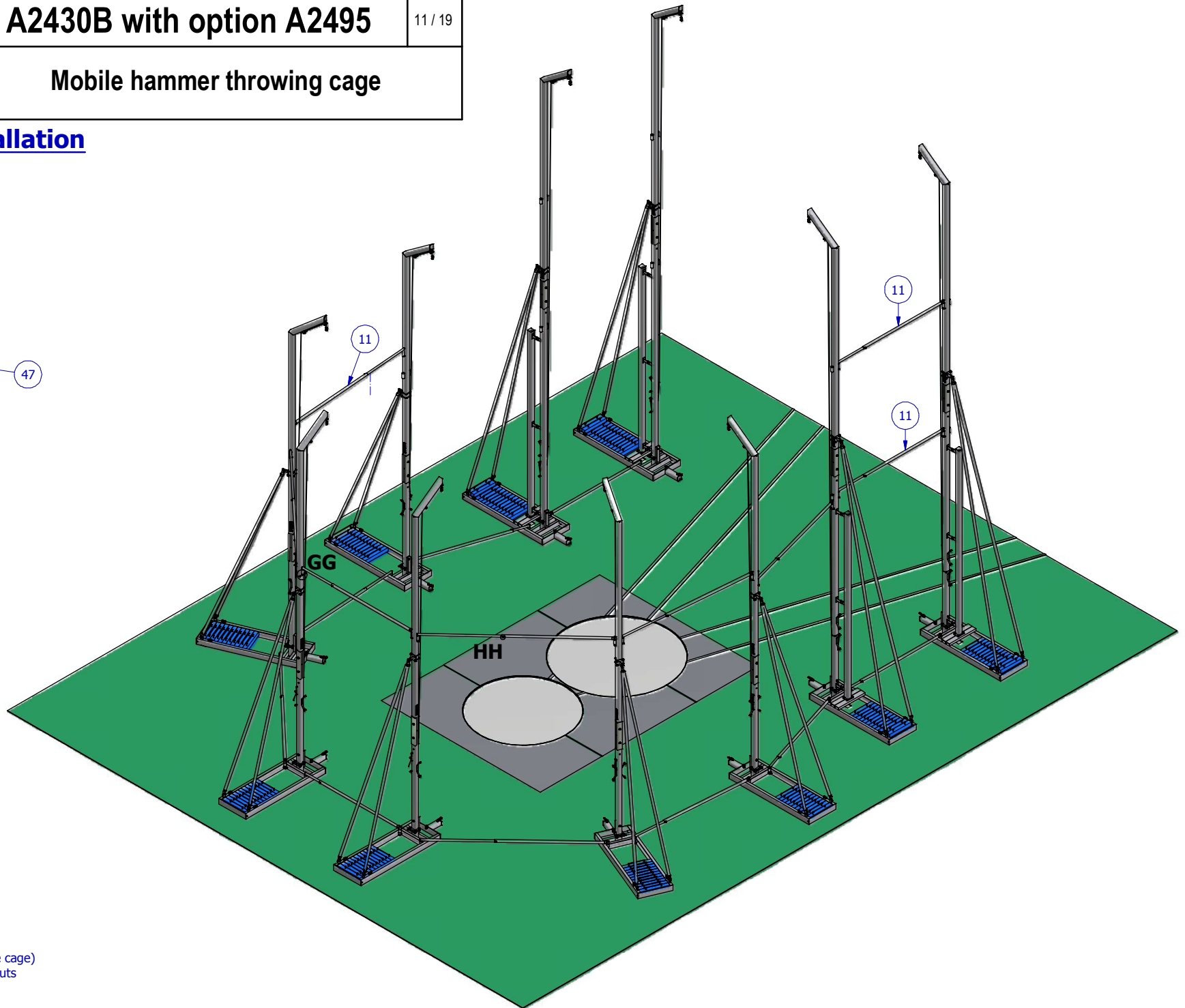
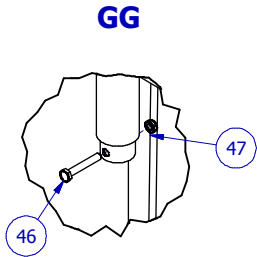
BB

CC

DD

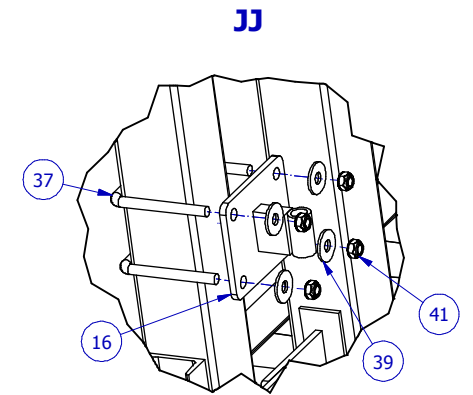
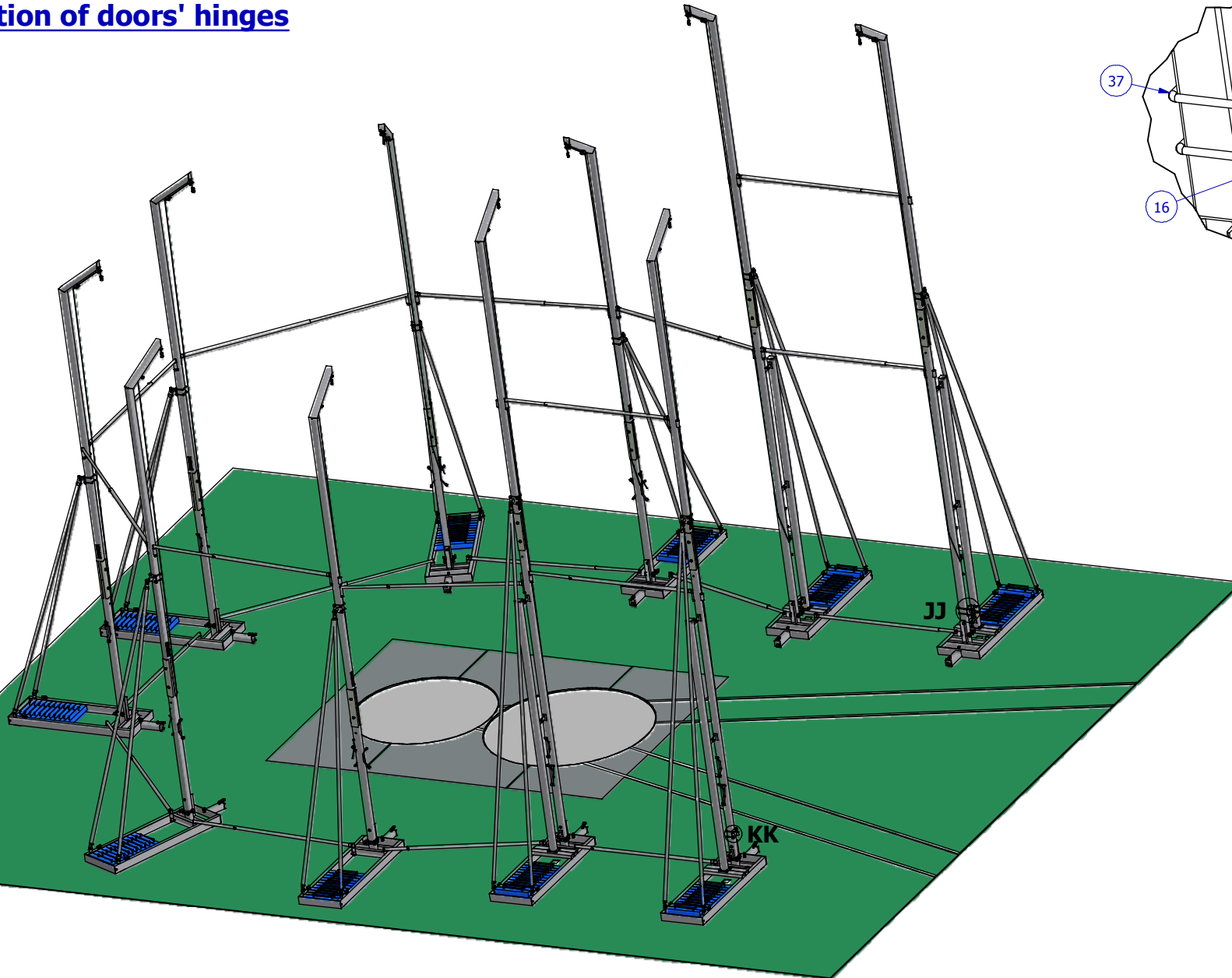
Mobile hammer throwing cage

11 : Cross strut installation

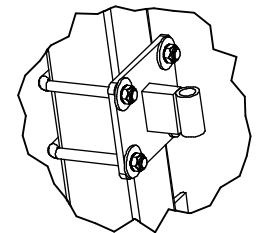


Thighten the screw
(on the outer part of the cage)
after placing the cross-struts

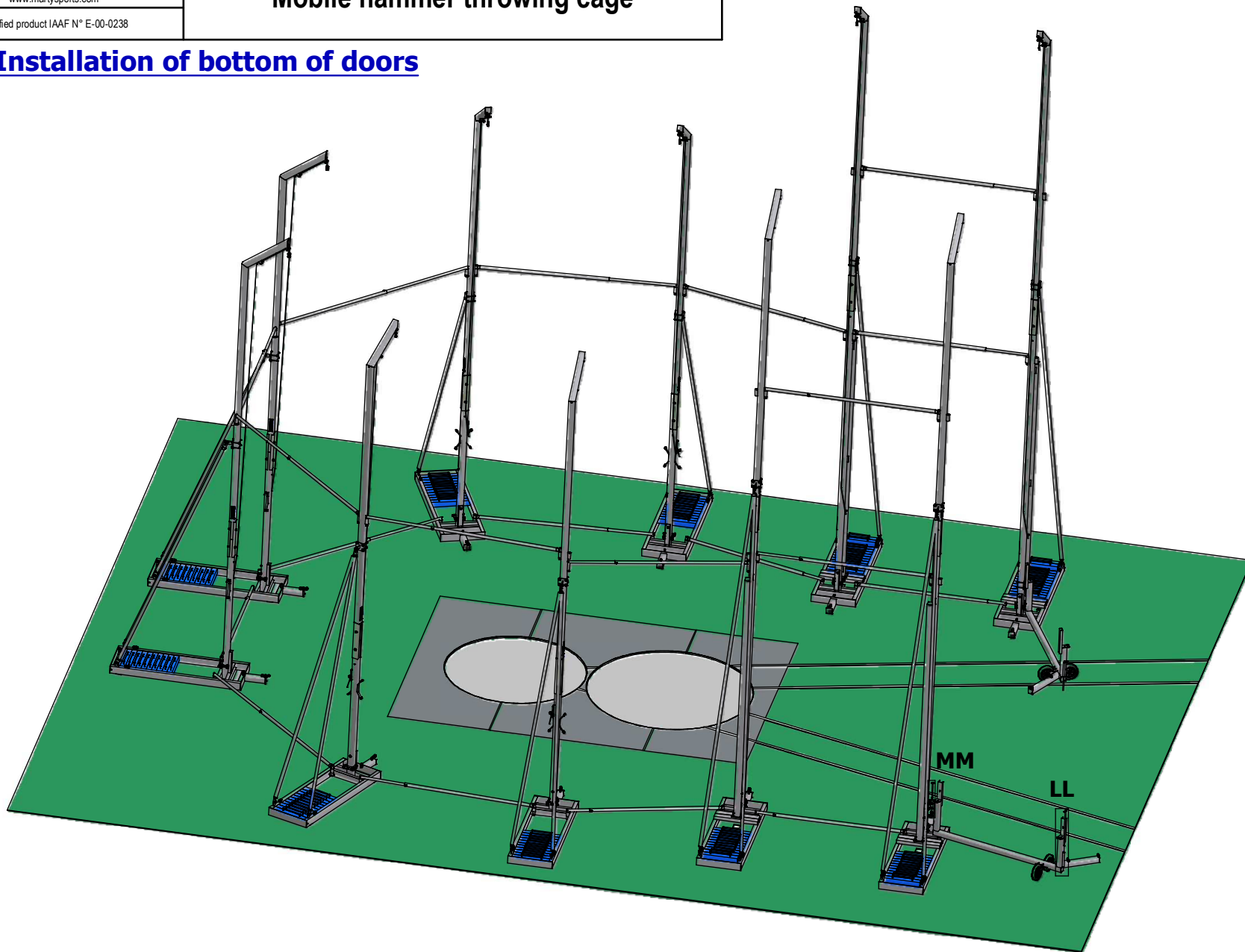
12 : Installation of doors' hinges



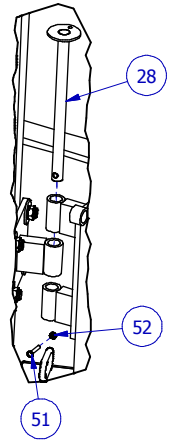
KK



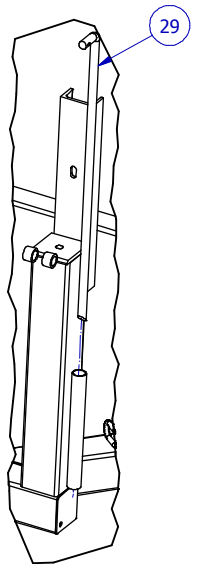
13 : Installation of bottom of doors



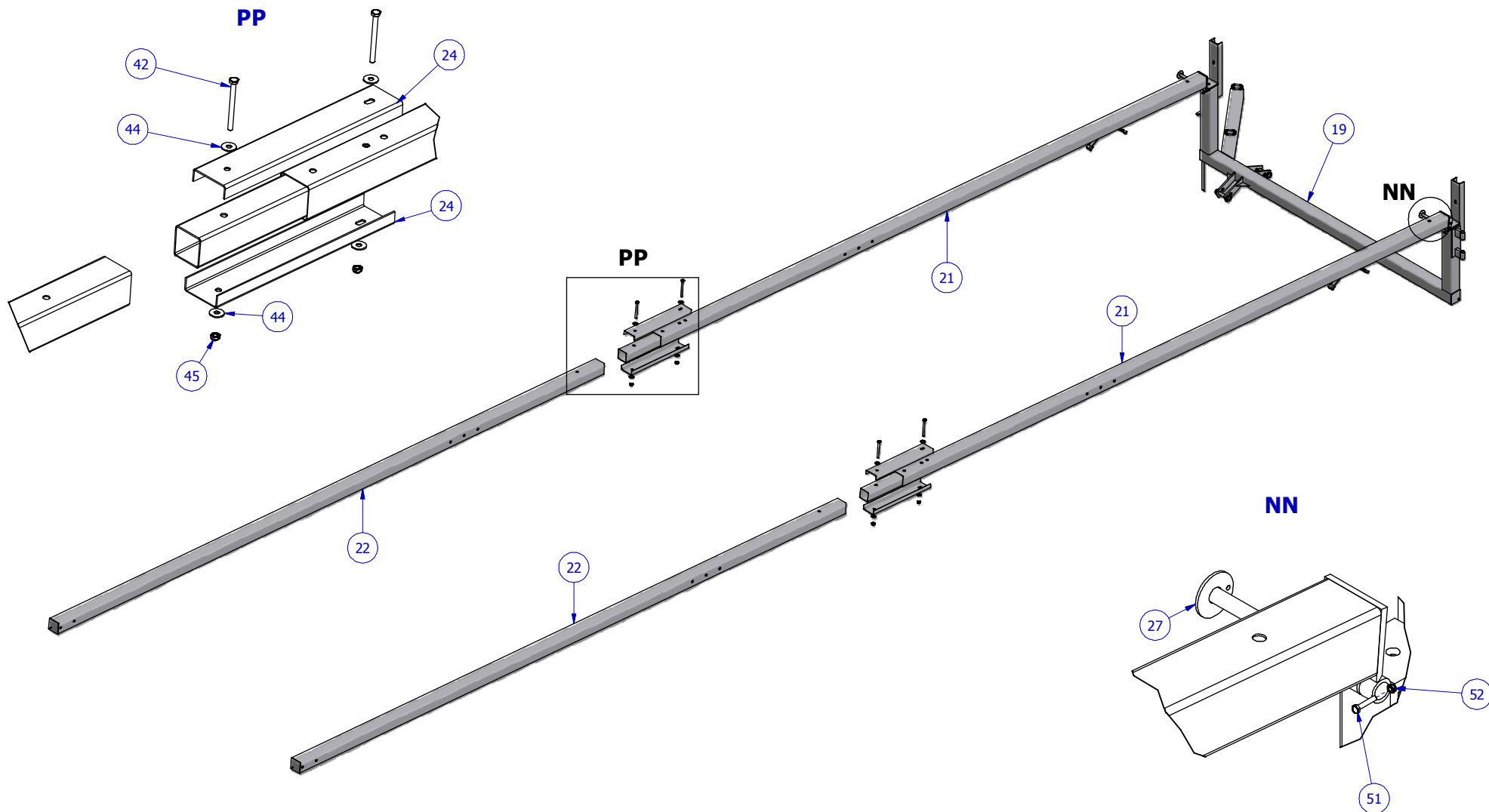
MM



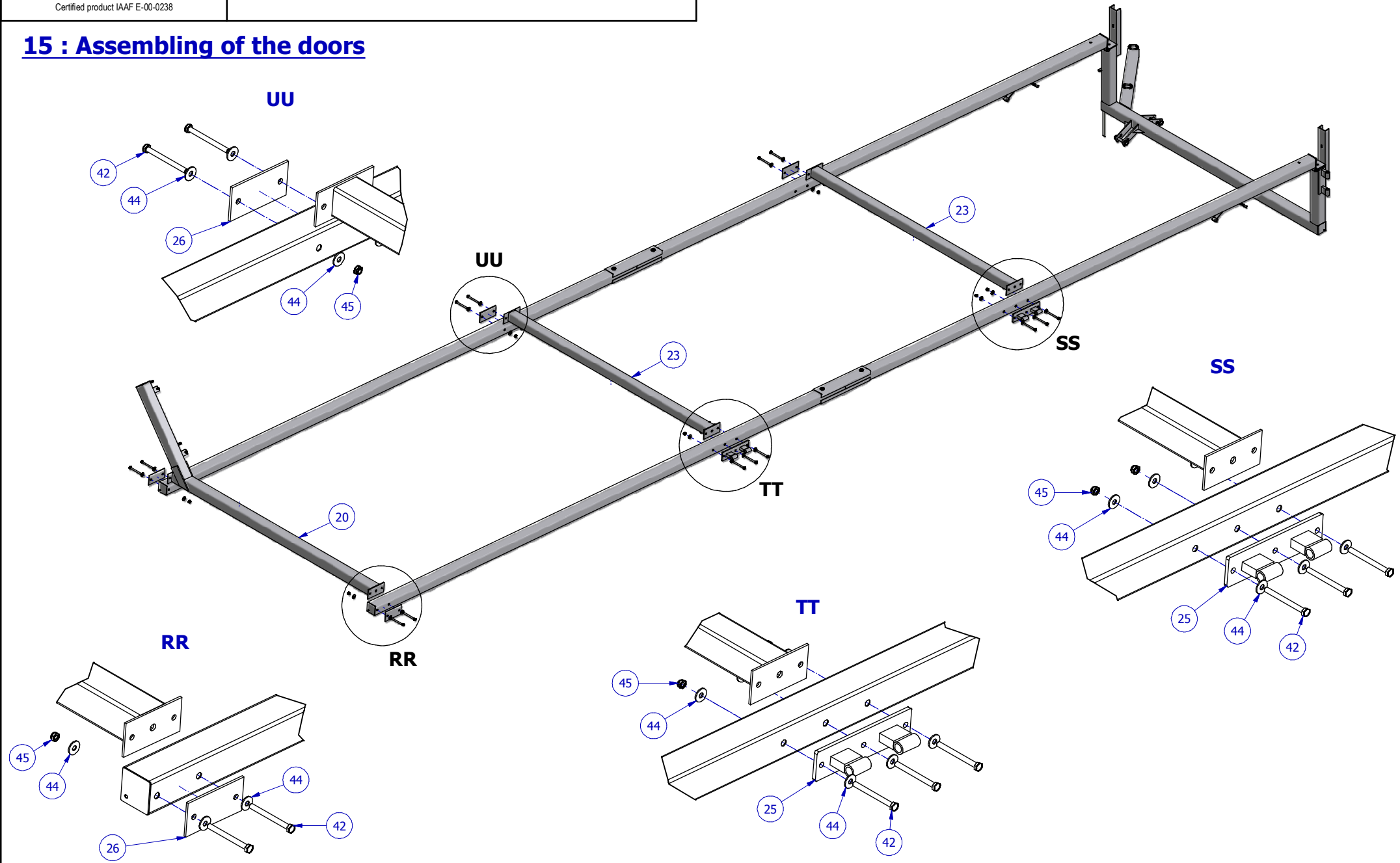
LL



Adjust height of doors after installation

Mobile hammer throwing cage**14 : Assembling of the doors**

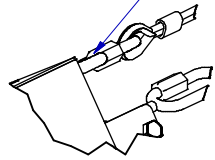
15 : Assembling of the doors



16 : Installation of wire cables on the doors

VV

Hang the cables on the hook with the snap link



53

35

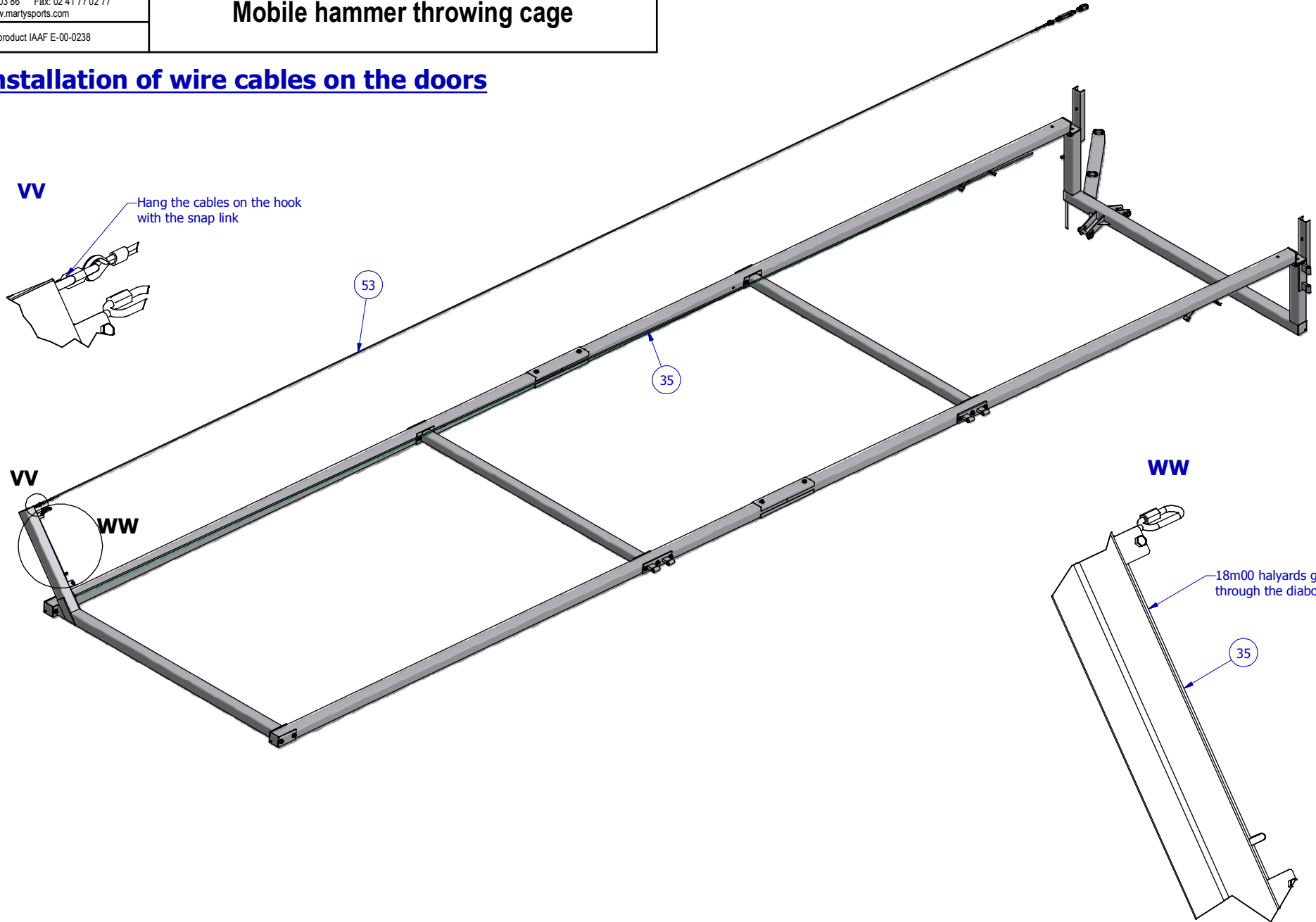
VV

WW

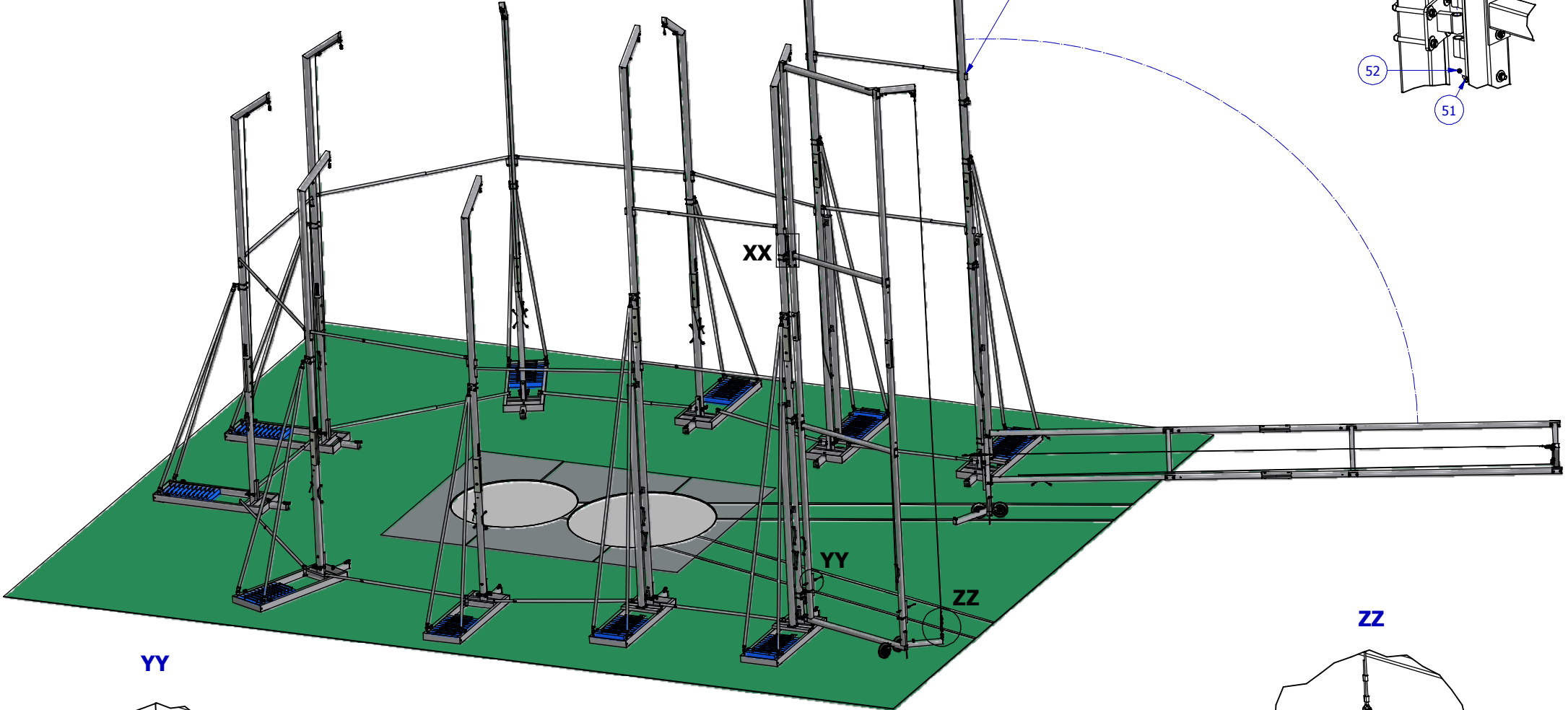
WW

18m00 halyards go through the diabolos

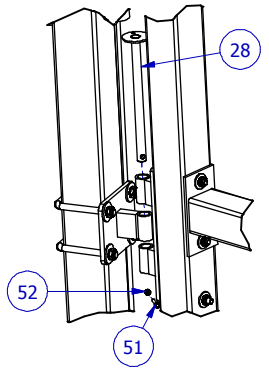
35



17 : Front doors set-up



XX



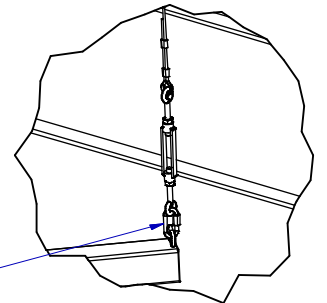
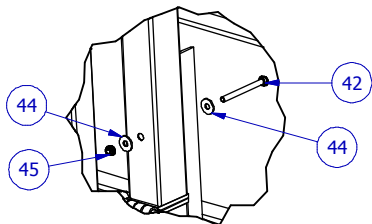
XX

YY

ZZ

ZZ

YY



Hang the cable to the hook, then
tighten with wire-strainer

Mobile hammer throwing cage

Knit steel rods on the top of the front nets in order to have the correct 10m00 height once net is up



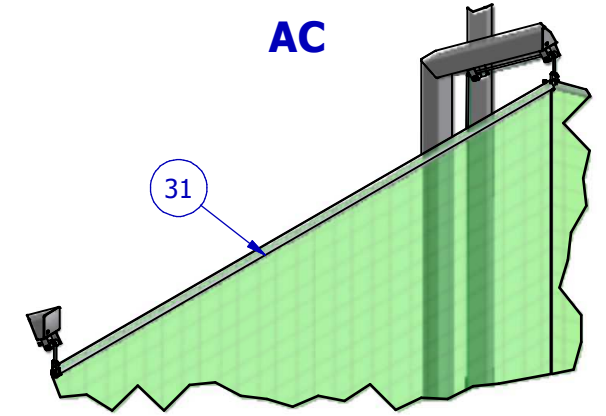
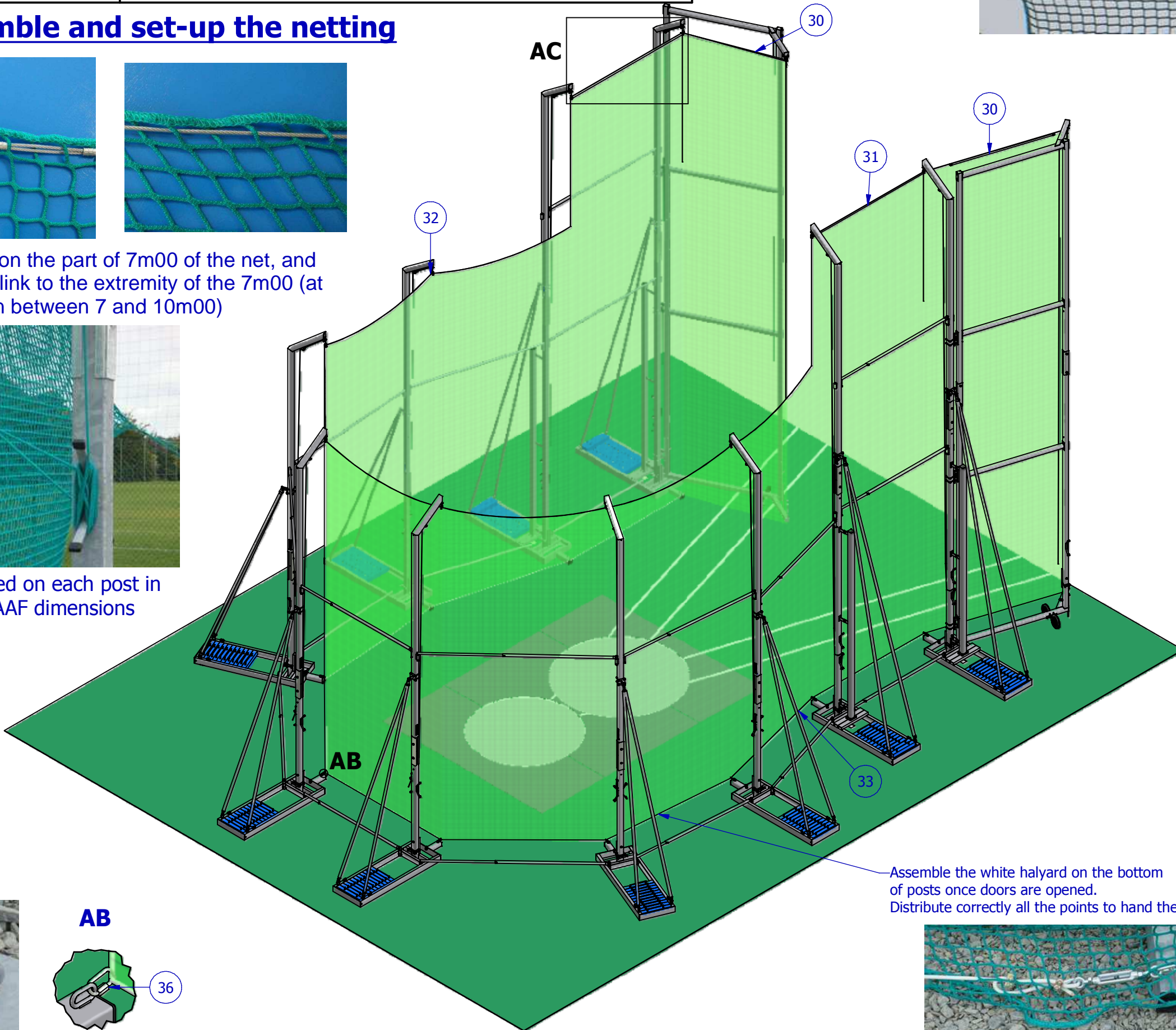
18 : Assemble and set-up the netting



Twist the cable on the part of 7m00 of the net, and hang it with the link to the extremity of the 7m00 (at the connexion in between 7 and 10m00)



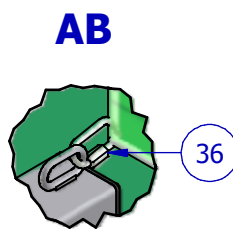
Net in maintained on each post in order to have IAAF dimensions required.



Place on hooks to fix the net on the front doors cables



Assemble the white halyard on the bottom of posts once doors are opened. Distribute correctly all the points to hand the net.



Mobile hammer throwing cage**CERTIFICATE**

THE IAAF IS PLEASED TO CERTIFY HEREBY
THAT THE FOLLOWING PRODUCT

of the Company: Marty Sports
Title of Product: Throwing cage, Discus & Hammer
Colour / Thickness: -
Catalogue Number: A2430B
Certification N°: E-00-0238

HAS BEEN TESTED AND MEETS THE TECHNICAL REQUIREMENTS FOR
USE IN ALL INTERNATIONAL ATHLETIC COMPETITIONS.

THIS CERTIFICATE IS ISSUED IN ACCORDANCE WITH THE TERMS AND
CONDITIONS OF THE IAAF CERTIFICATION SYSTEM OF TRACK AND
FIELD FACILITIES, IMPLEMENTS AND COMPETITION EQUIPMENT.

This certificate is valid from: 1 July 2008
until the last day of July 2012

PIERRE WEISS
IAAF General Secretary



JORGE SALCEDO
IAAF Technical Committee Chairman