

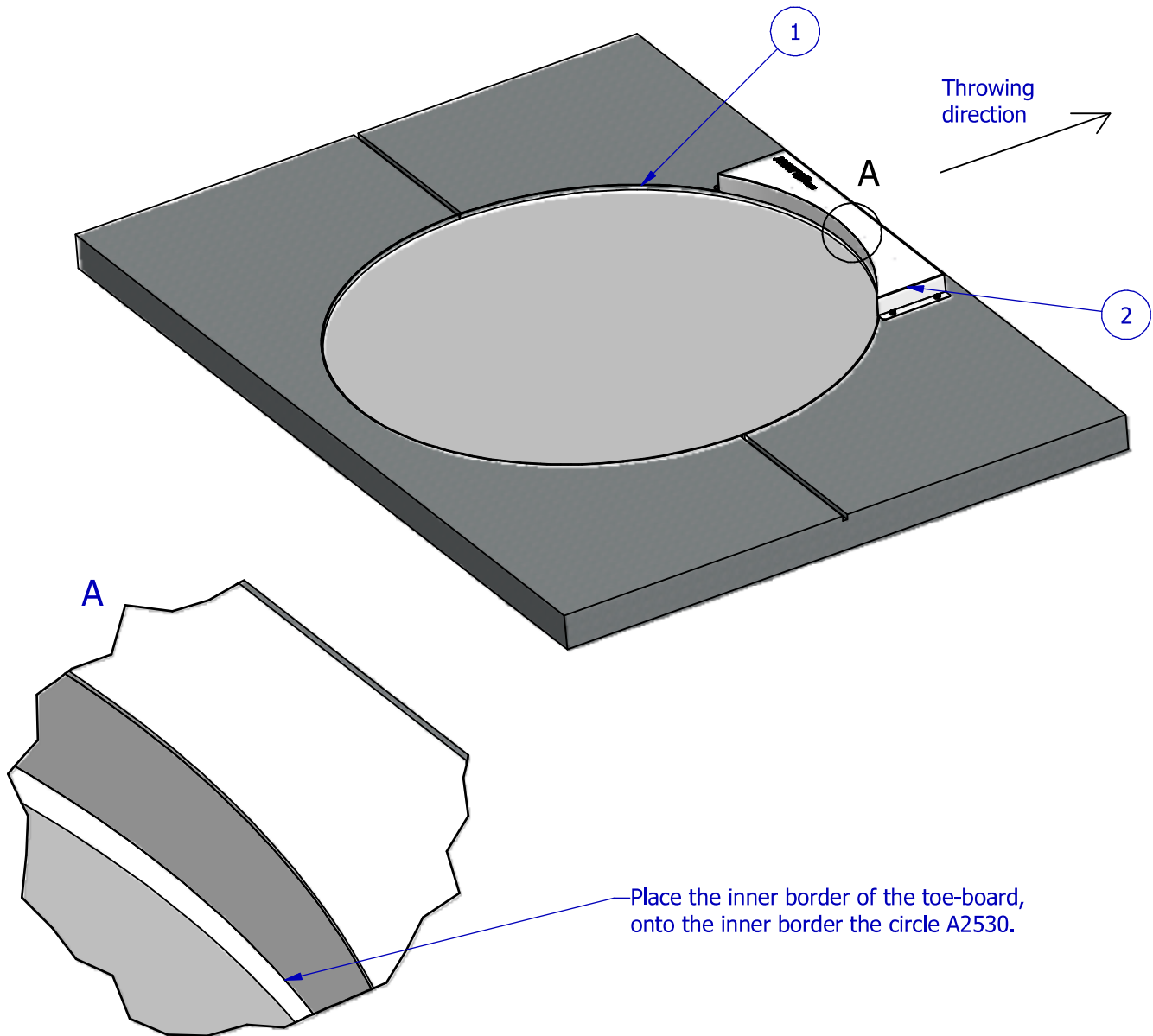
Toe-board

CAUTION :

- Do not use in different purposes than its appropriate use.
- Do not use if not authorized.

1

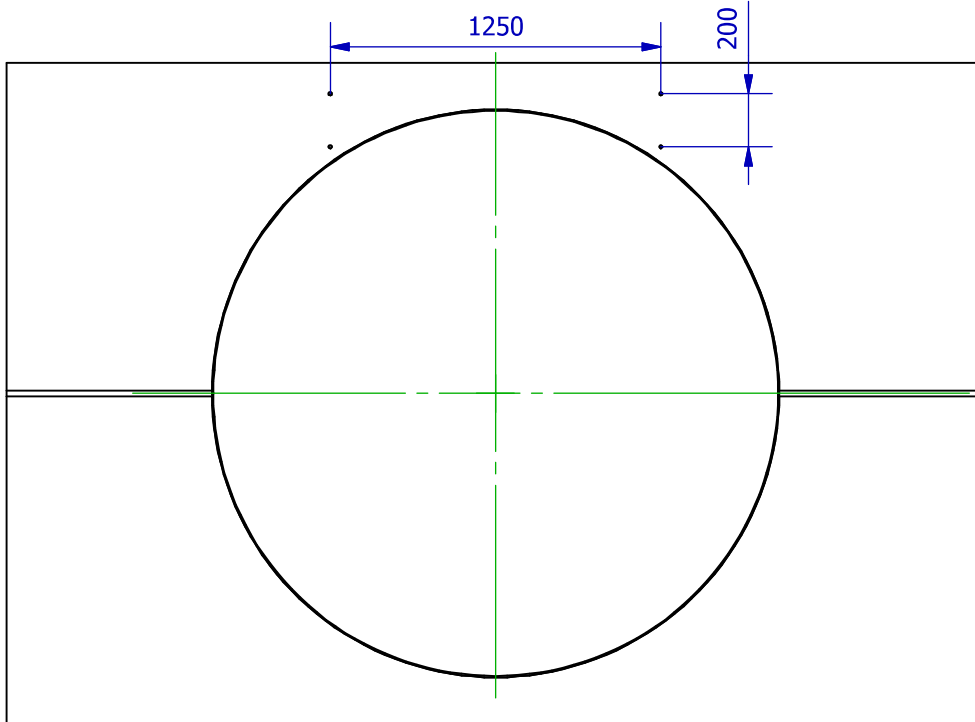
Place and draw the 4 fixing holes, with the help of the toe-board



Details of pieces		
ARTICLE	DESIGNATION	QTE
1	Circle Ø2m135 for shot (MARTY ref A2530 not included)	1
2	Toe-board A2541	1
3	Coach-screw	4
4	Washer Ø10L	4
5	SPIT plug NYL S12-60	4

Toe-board

Product certified IAAF N° E-06-0444

2Take the toe-board off and make 4 holes with the help of a concrete bit, of $\varnothing 12$ - depth 70mm.**3**