

SENIOR ALUMINIUM FOOTBALL GOAL (The pair)**CAUTION :**

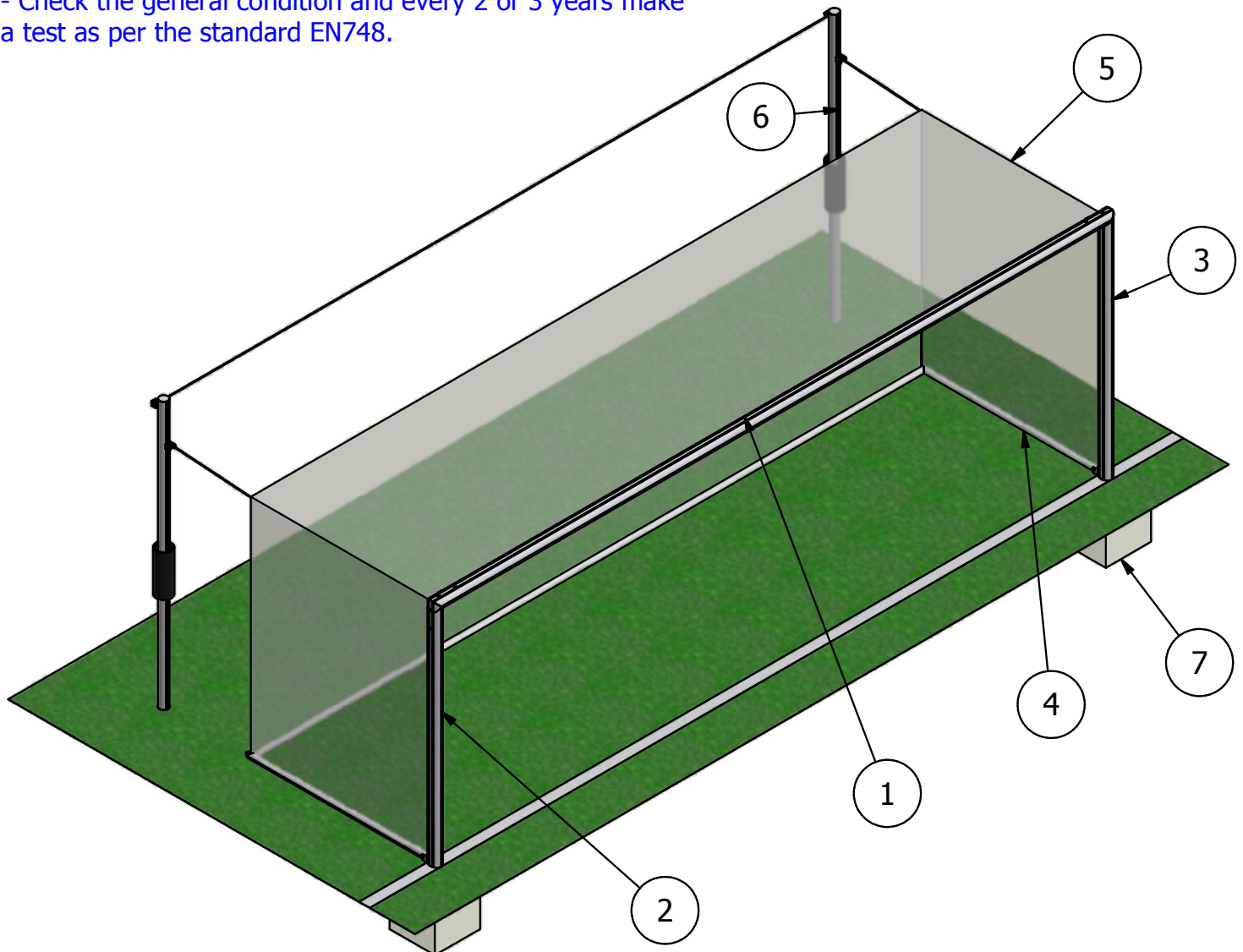
- Do not hang onto the product, do not swing, on climb.
- Do not use in different purposes than its appropriate use.
- Do not use if not fixed.
- Do not use if not authorized.
- Must be fixed on unsable when stored.

MAINTAINANCE :

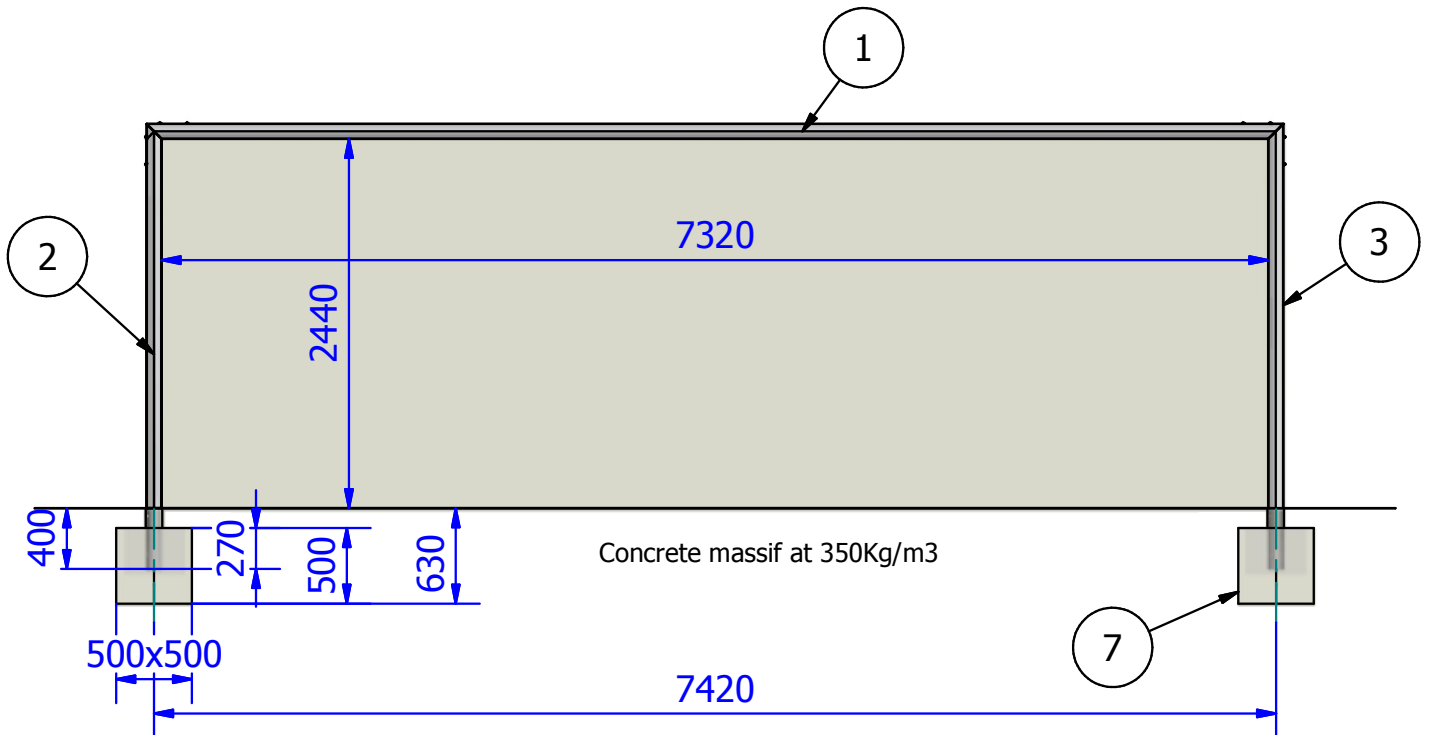
- Check solderings.
- Check the condition of the frame.
- Check the condition of the seals.
- Check the general condition and every 2 or 3 years make a test as per the standard EN748.

LIST OF SPARE PARTS (For 1 goal)

ARTICLE	QTY	NUMBER OF PIECE
1	1	CROSSBAR F8040
2	1	LEFT POST F8040
3	1	RIGHT POST F8040
4	1	NET RISER (In option)
5	1	NET (In option)
6	2	NET HOLDER POST (In option)
7	2	CONCRETE MASSIF



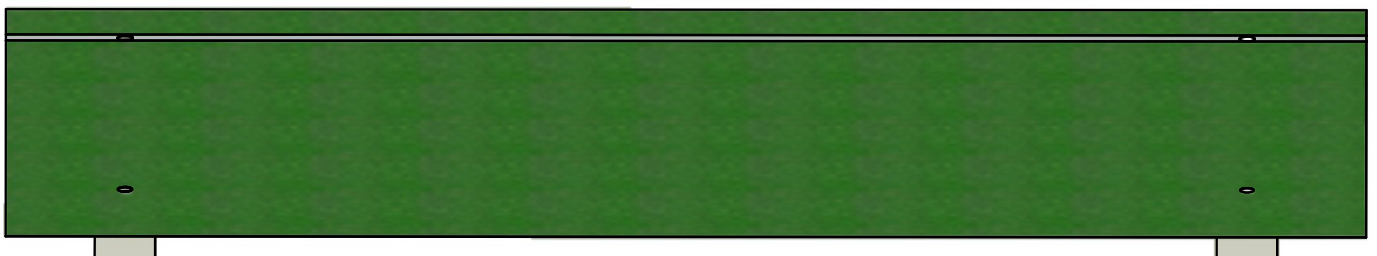
SENIOR ALUMINIUM FOOTBALL GOAL (The pair)

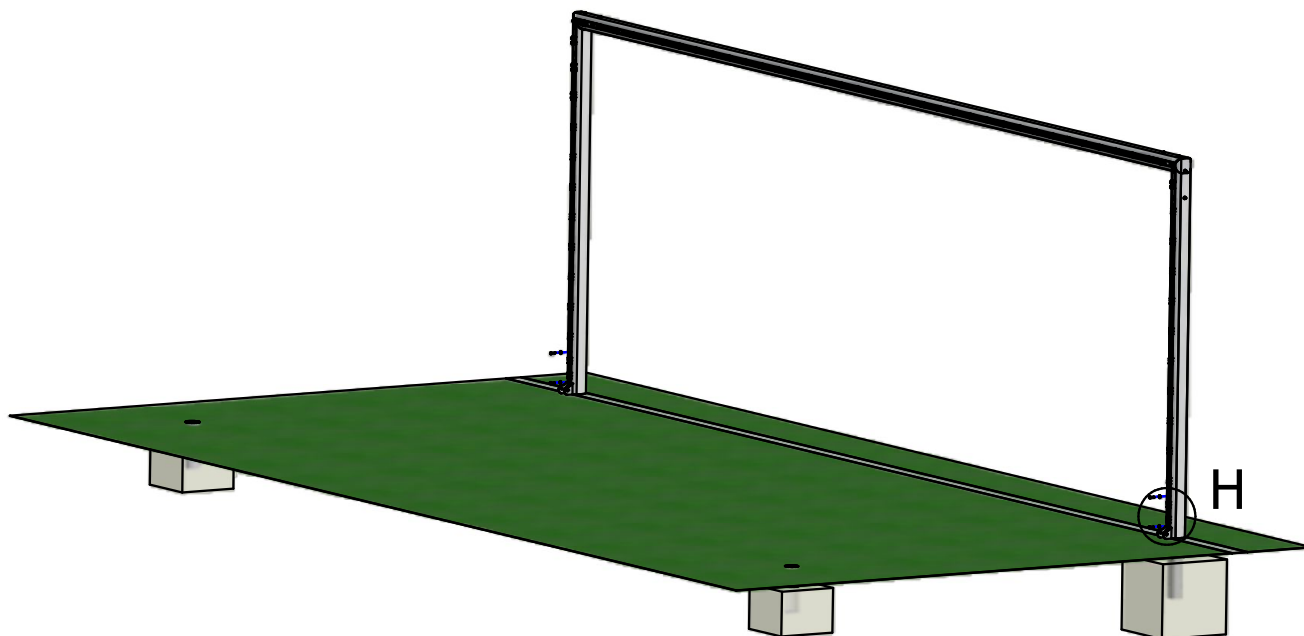


Be sure to have an optimal adjustment of the adapter with respect to the existing ground socket as well a good tightening of the locknuts on the inserts. The tapped face is oriented towards the outside of the pitch.

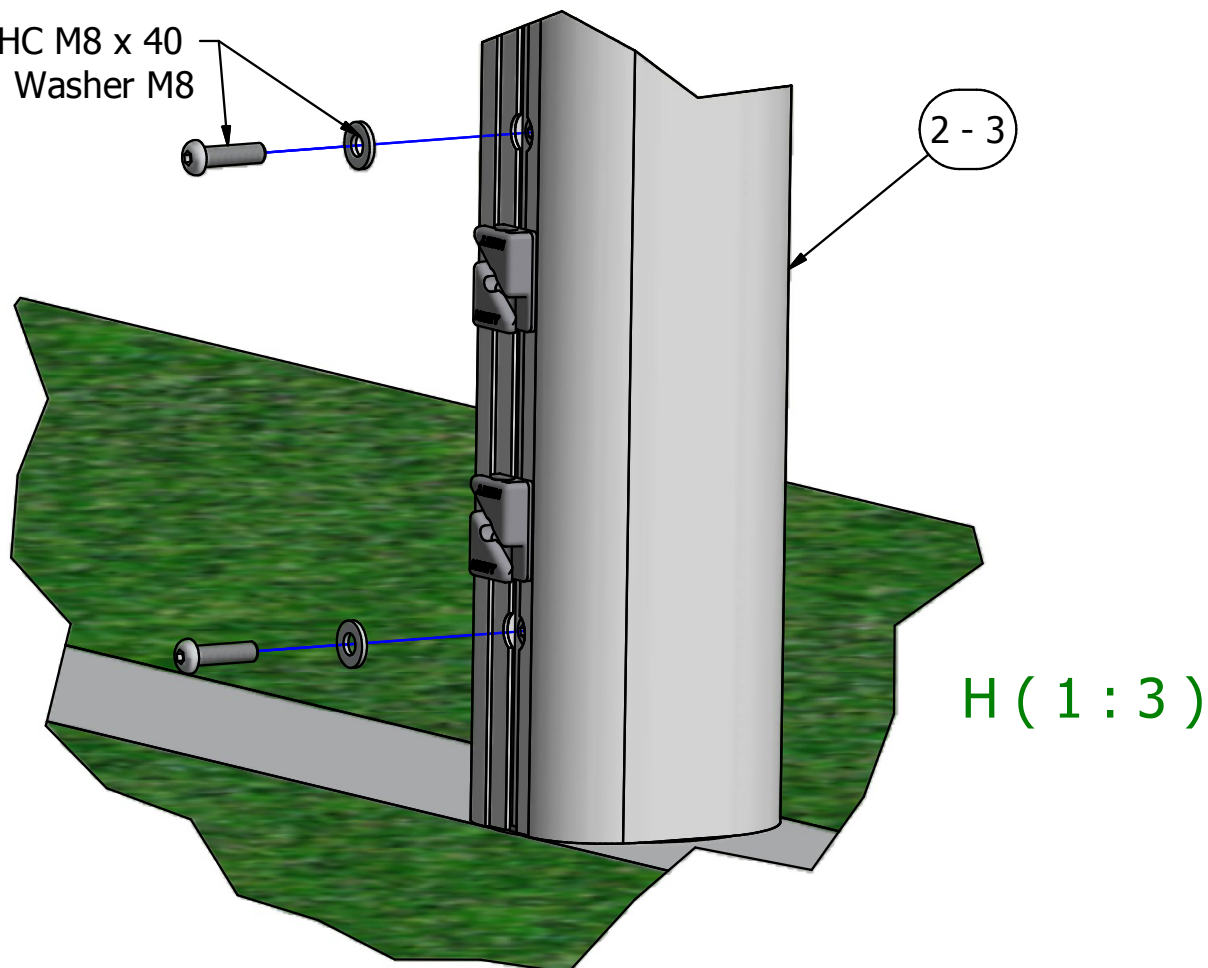
1

LIST OF SPARE PARTS (For 1 goal)		
ARTICLE	QTY	NUMBER OF PIECE
1	1	CROSSBAR F8040
2	1	LEFT POST F8040
3	1	RIGHT POST F8040
7	2	CONCRETE MASSIF
8	2	GROUND SOCKETS ADAPTERS AND/OR HEIGHT ADJUSTMENT (F8041A/F8047 in option)



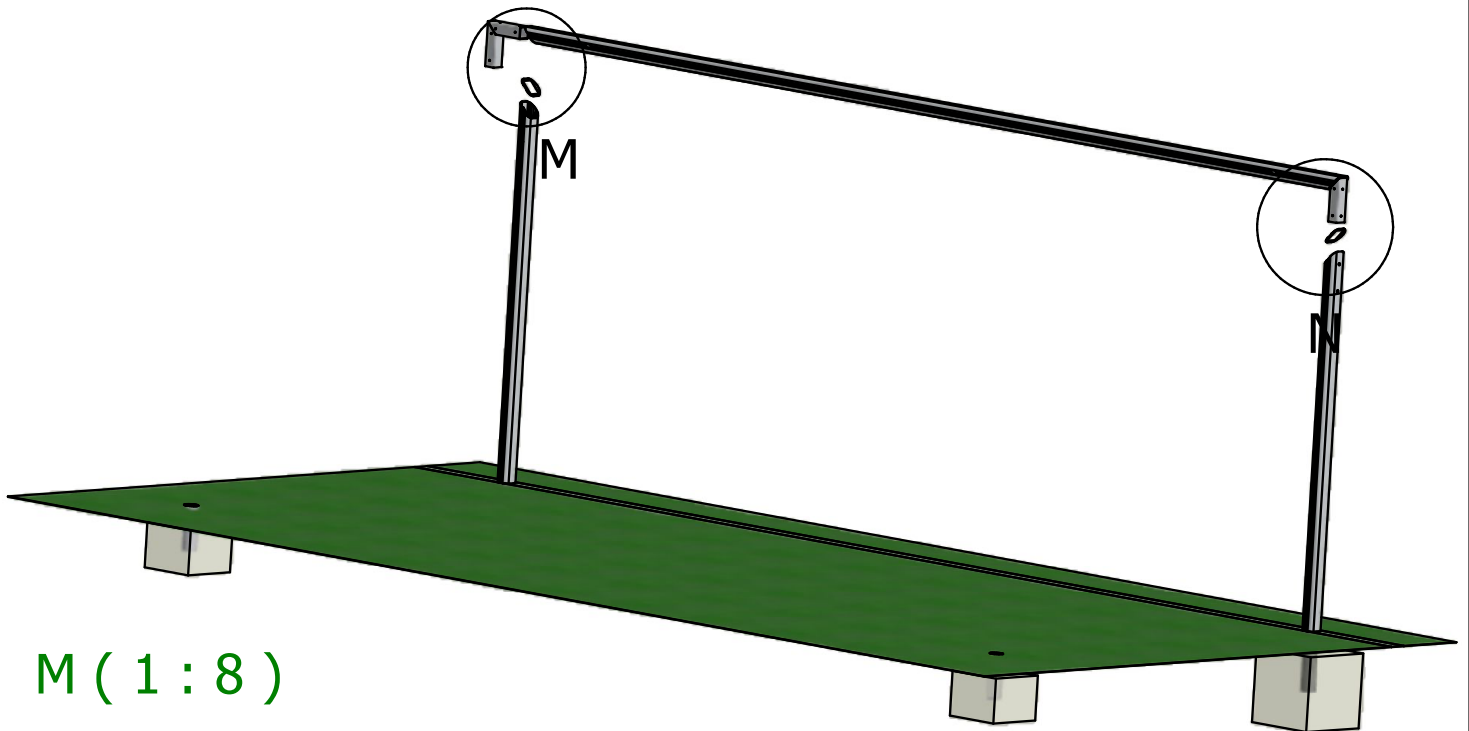
SENIOR ALUMINIUM FOOTBALL GOAL (The pair)**2 - Fixation ground sockets adapters (OPTION)**

2 x 2 Screw BHC M8 x 40
+ Washer M8



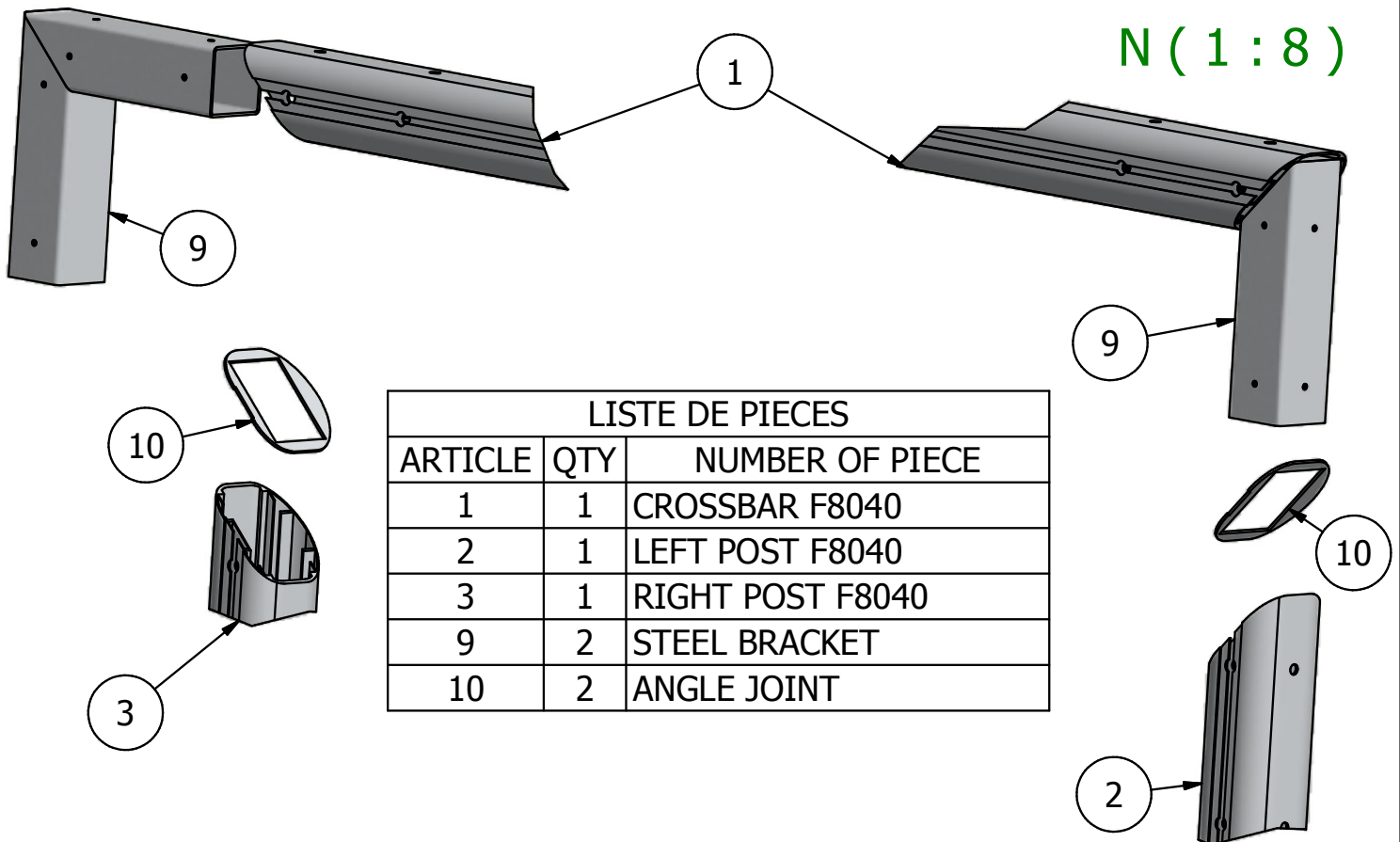
SENIOR ALUMINIUM FOOTBALL GOAL (The pair)

3 - Assembly of the angles



M (1 : 8)

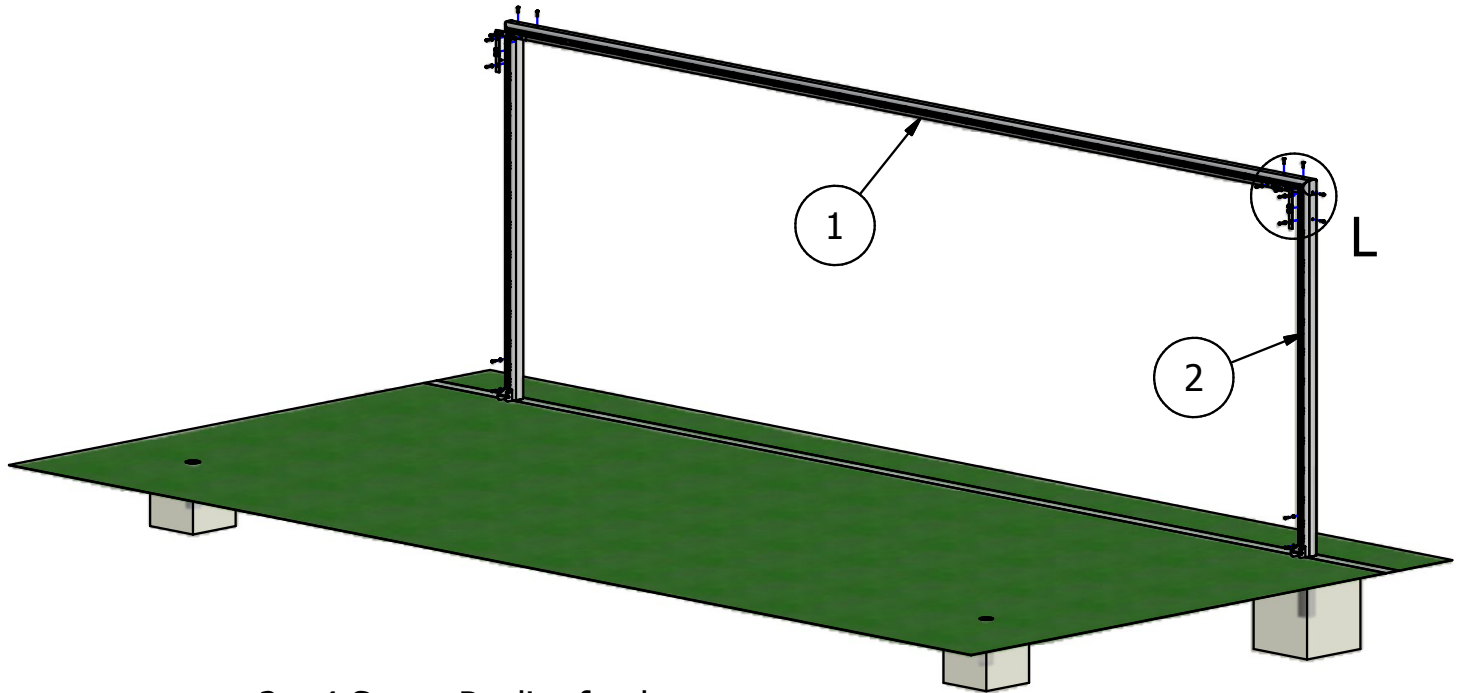
N (1 : 8)



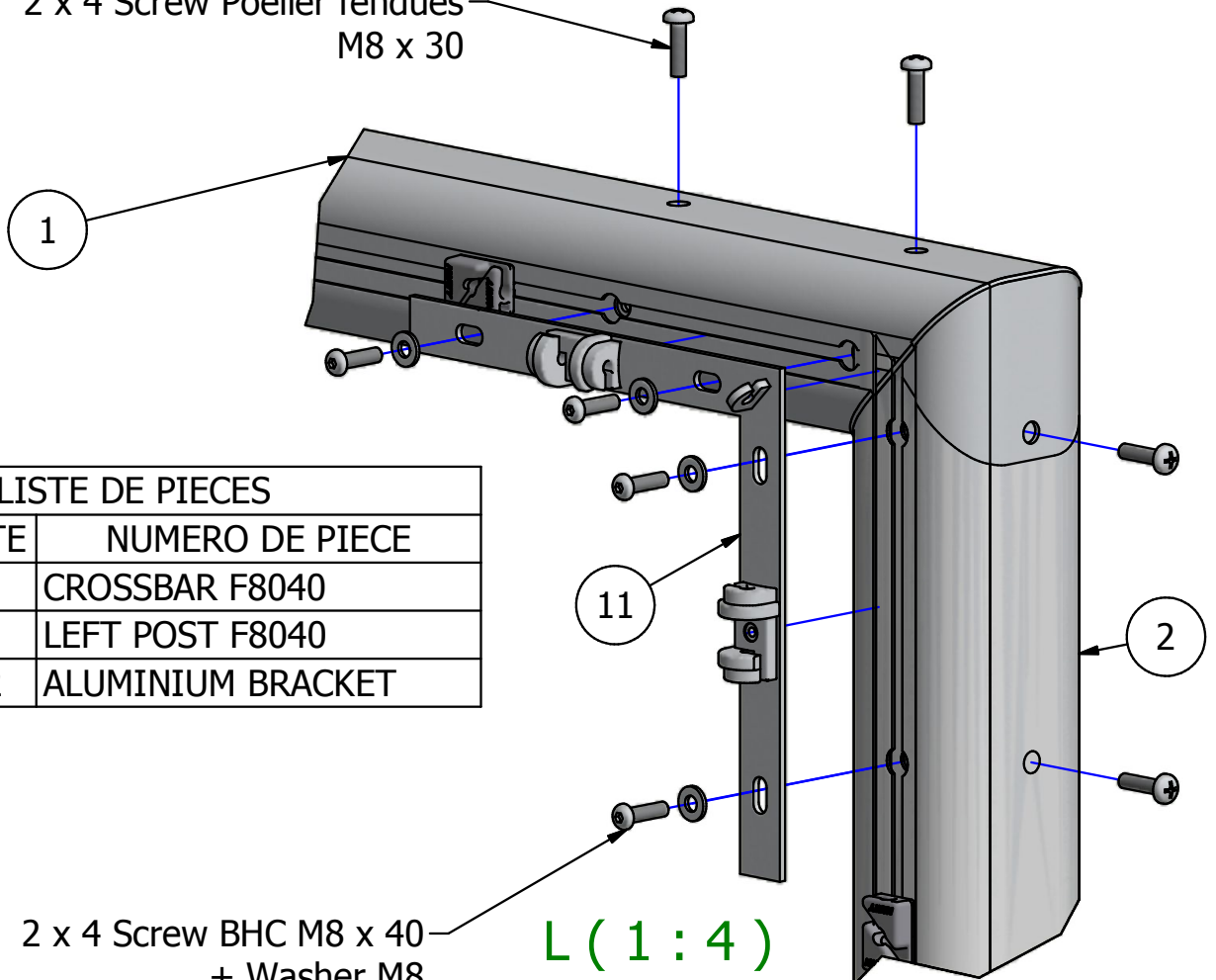
LISTE DE PIECES		
ARTICLE	QTY	NUMBER OF PIECE
1	1	CROSSBAR F8040
2	1	LEFT POST F8040
3	1	RIGHT POST F8040
9	2	STEEL BRACKET
10	2	ANGLE JOINT

SENIOR ALUMINIUM FOOTBALL GOAL (The pair)

4 - Fixation of the angle brackets



2 x 4 Screw Poelier fendues
M8 x 30



2 x 4 Screw BHC M8 x 40
+ Washer M8

L (1 : 4)

LISTE DE PIECES		
ARTICLE	QTE	NUMERO DE PIECE
1	1	CROSSBAR F8040
2	1	LEFT POST F8040
11	2	ALUMINIUM BRACKET

B.P. 10
49370 SAINT CLEMENT DE LA PLACE
Tél: 02 41 77 03 86 Fax: 02 41 77 02 77
www.martysports.com

SENIOR ALUMINIUM FOOTBALL GOAL (The pair)

Ce produit est conforme à la norme EN 748 et au code du sport décret N°2007-1133 du 24 juillet 2007



Au service du Sport et des Loisirs

Cras, le 10th of April 2009

MARTY
Route de la Meignanne
BP10
49370 – St CLEMENT de la PLACE

Subject: Safety Certificate up to Standard NF EN 748
and to Decree n°96-495 dated 1996 June 4th /
Football Goal F8040

SAFETY CERTIFICATE FOOTBALL GOAL

Ref F8040 according to standard NF EN 748 / Decree 96-495

NF EN 748: (extension of Decree according to Notice NOR/ECOC9800163V – Official Bulletin dated 1998 December 19th)

Requirement for the standard	SCMS Europe notice
	TYPE: 1 or 2
- 3-3: Protection against corrosion (enclosed certificate) :	Favourable
- 3-4-1: - Section of uprights and crossbar identical:	Favourable
- White colour or natural colour light metal:	Favourable
- 4-1: Angles and edges – radius at least equal to 3mm:	Favourable
- 4-2: No space underneath ground frame:	Favourable
- 4-5: Net fixing hooks opened < or = 5mm:	Favourable
- 4-6: Jamming (according to NF EN 1176-1)	Favourable
- 5-2: Resistance:	
Vertical strength of 1800N (middle of the crossbar during 1'):	
Bending under the load	265m
Measure after the release / bending at a test +30'	2mm
	Favourable
- 5-3: Stability:	
Horizontal strength of 1100N (middle of the crossbar during 1'):	
Bending after release	0mm
	Favourable
- 5-4: Resistance of net hooks:	
Horizontal strength of 1100N in goal's middle at 1m underneath the crossbar during 10' :	
Breaking of bending	0mm
	Favourable
- 6: Assembling instructions:	Favourable
- 7: Warning stick-on labels:	Favourable
- 8: Marking (brand/standard NO/year/warning/decreed 96-06-04)	Favourable

Tests Buts

Diagnostics

Kit de test

Formations

Conseils

www.scms-e.com



83 Chemin de Chassagne
01 340 CRAS (France)

Tél. 00 33 (0) 4 74 30 96 88
Fax. 00 33 (0) 4 74 30 96 89
contact@scms-e.com

Expert mandaté AFNOR
Auprès du CEN pour la France

Intervenant CNFPT
Organisme de Formation

Déclaré au Ministère N°82 01 00787 01

Sport Soft
sécurité

Sport Soft
planning