

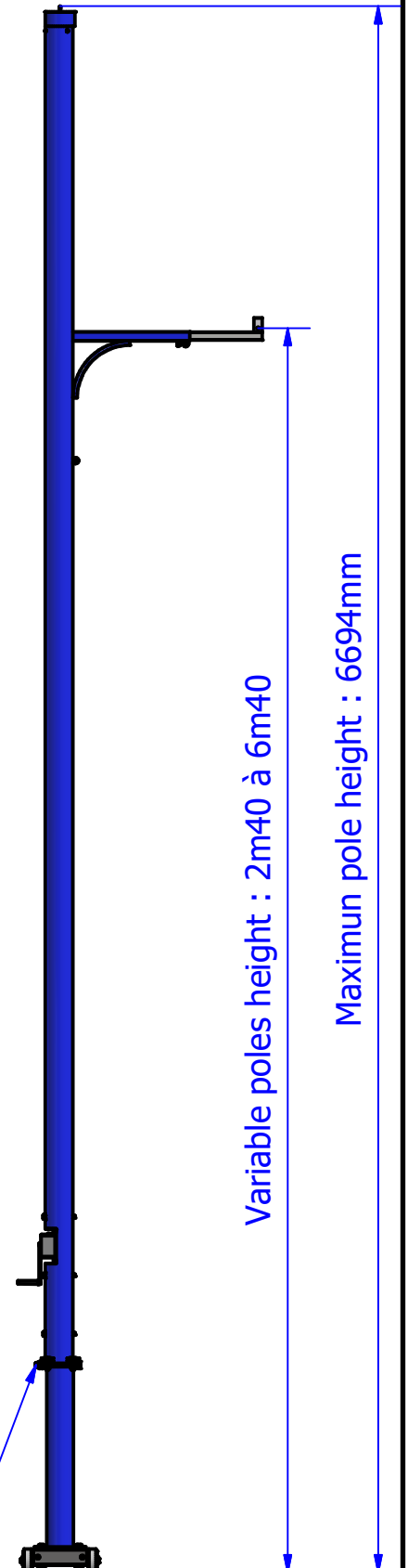
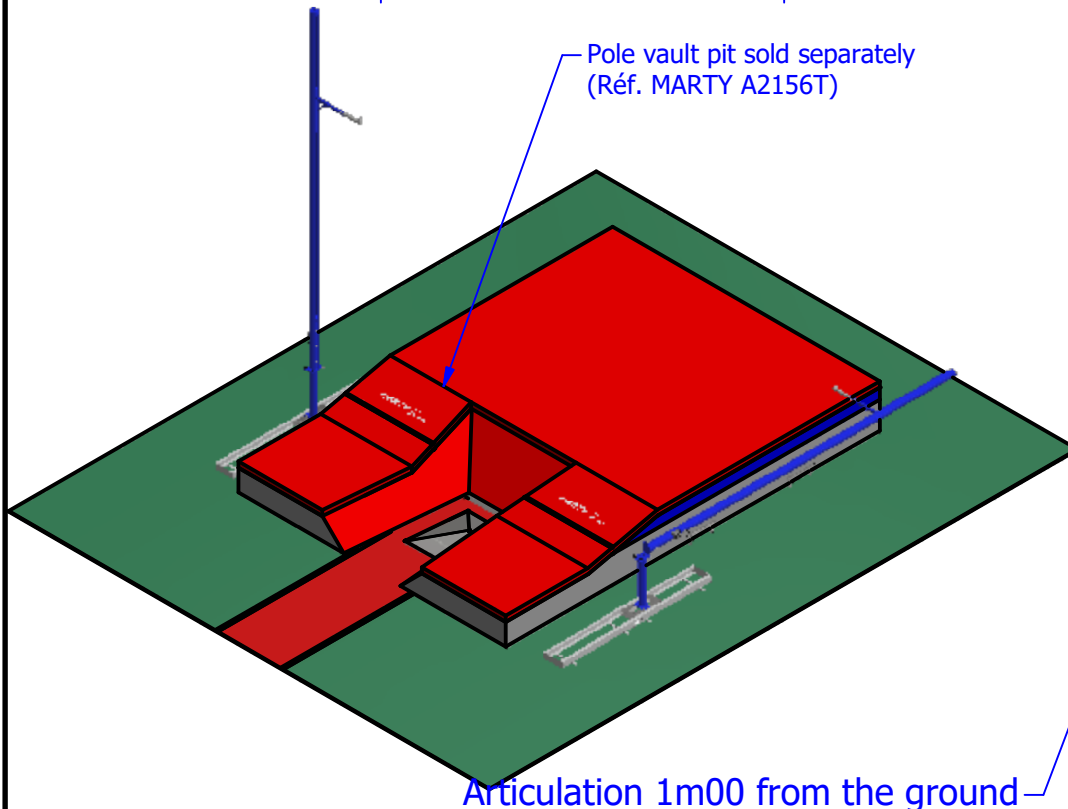
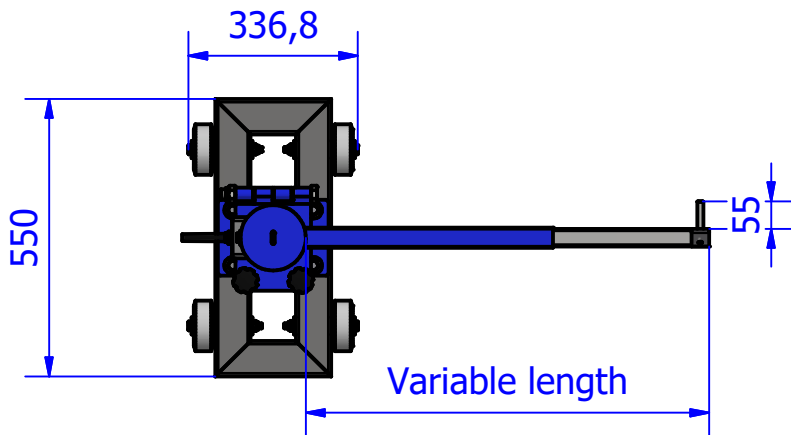
High competition articulated at 1m00 pole vault

Caution :

- Pole must be used with rails (sold separately).
- Install the poles according to sheet 3.
- Check that the knob is set
- In addition to the poles graduations, we advise to use jump measuring device (sold separately)

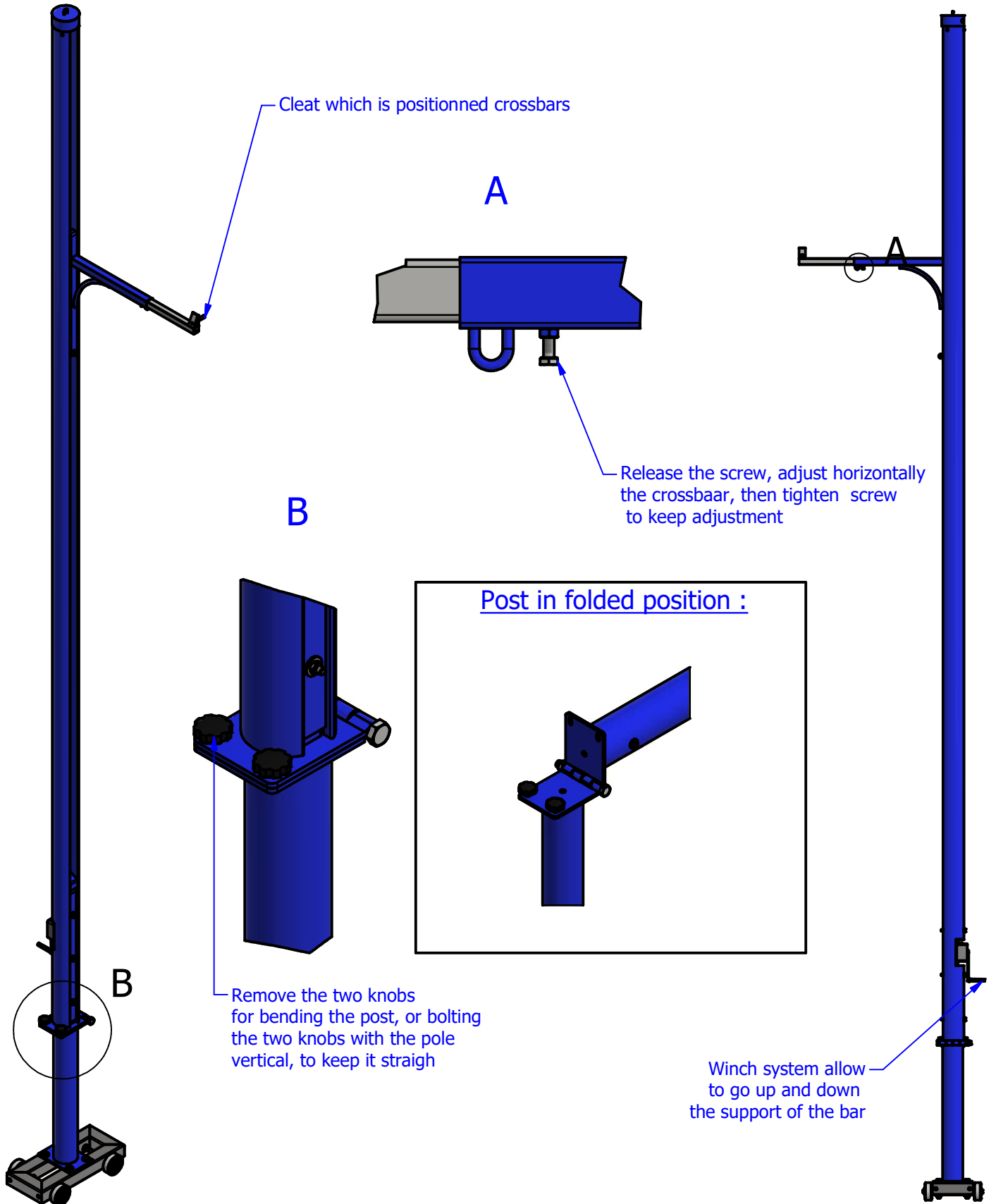
Maintenance : (Periodic)

- Check pole general aspect
- Check rails general aspect



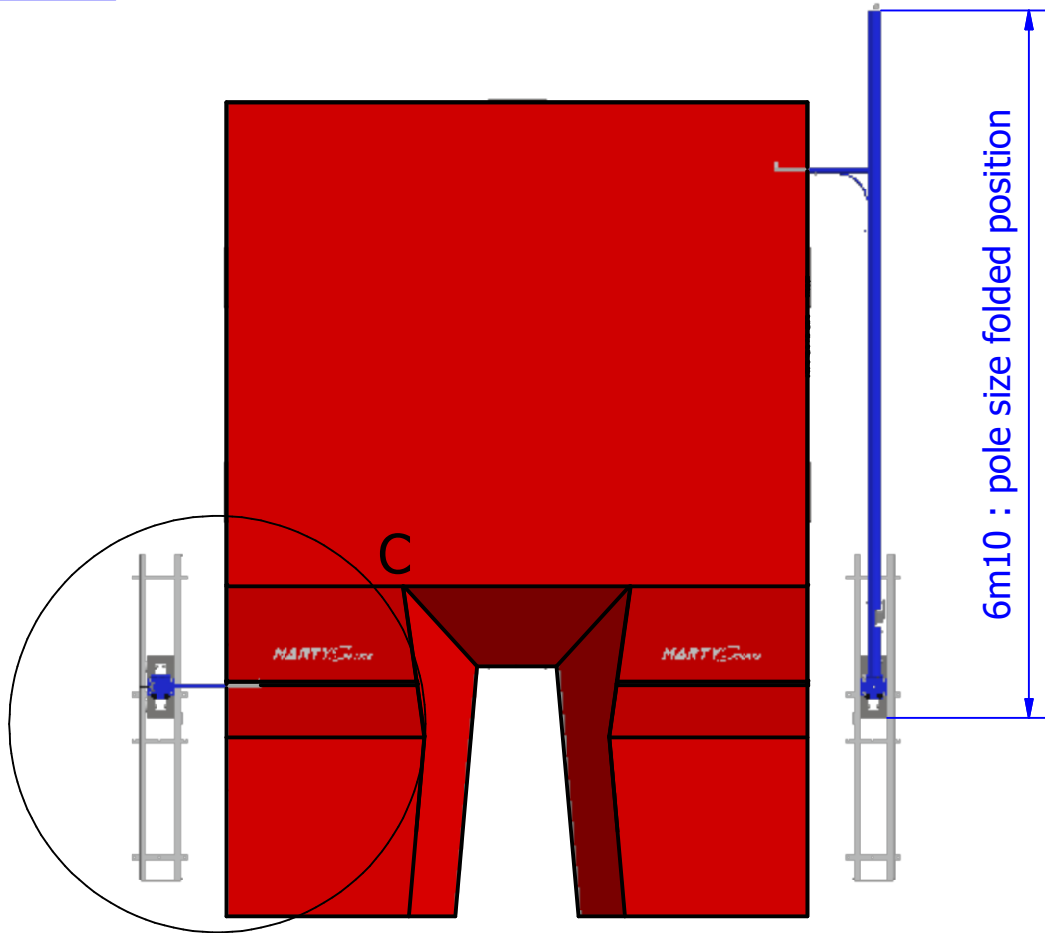
High competition articulated at 1m00 pole vault

1 : Details



High competition articulated at 1m00 pole vault

2 : Implantation



C (1 : 45)

