

**Discus cage with articulated bases**

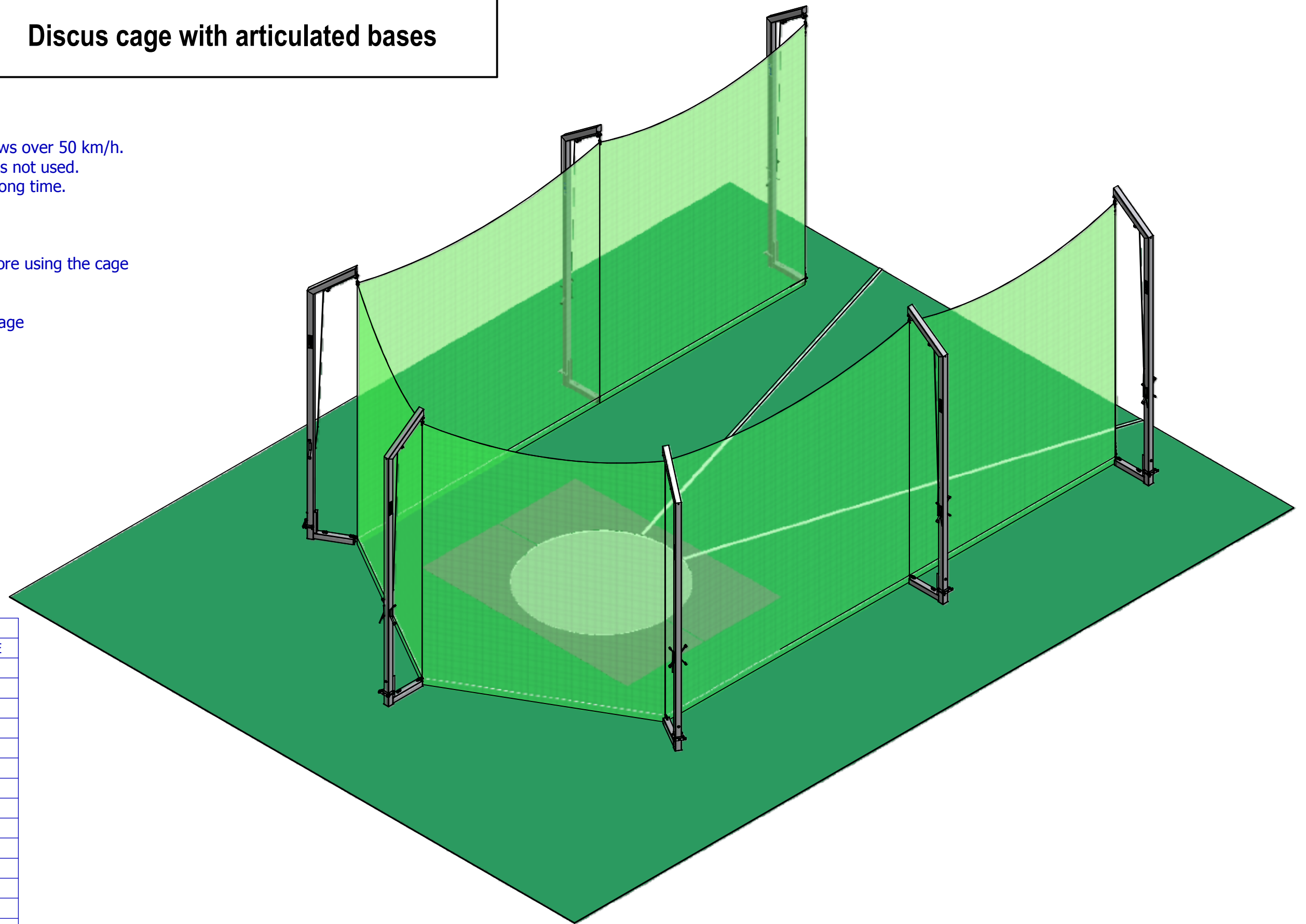
IAAF certified N° E-00-0233

**CAUTION :**

- Do not use the cage when wind blows over 50 km/h.
- Take the nets down when the cage is not used.
- Store the nets when not used for a long time.

**MAINTAINANCE :**

- Check nets, cables and halyards before using the cage
- Check solerings
- Check thighbennings
- Check the general condition of the cage

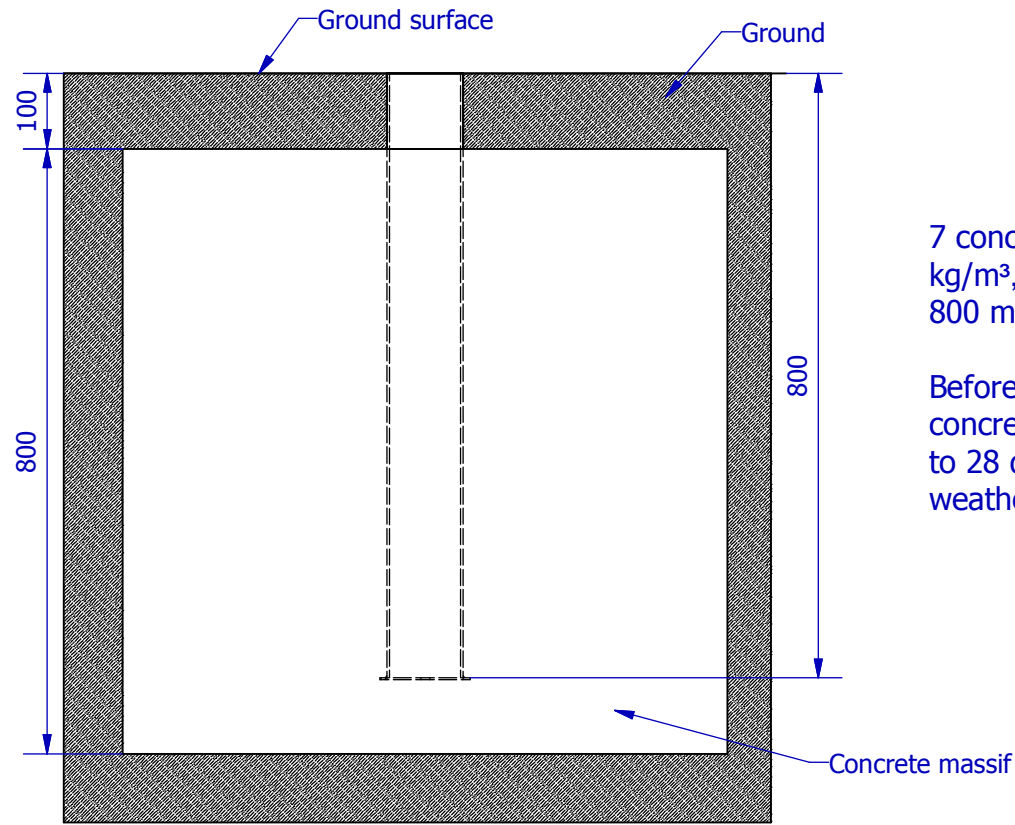


Liste de pièces

ARTICLE	DESIGNATION	QTE
1	Single ground socket	7
2	Articulated base	7
3	Hinge of post	7
4	Articulated post	7
5	Discus net	1
6	White halyard	1
7	Green halyard	7
8	Snap link Ø8	5
9	Screw TH M5 x 25	7
10	Nut M5	7
11	Screw TH 10x110	7
12	Dished washer Ø10L	14
13	Nut M10	7
14	Vis TH M12 x 50	28
15	Dished washer Ø12Z	56
16	Nut M12	28
17	Wire cable	2
18	Wire Cable of preservation of the net (length 24m70)	1

**Discus cage with articulated bases**

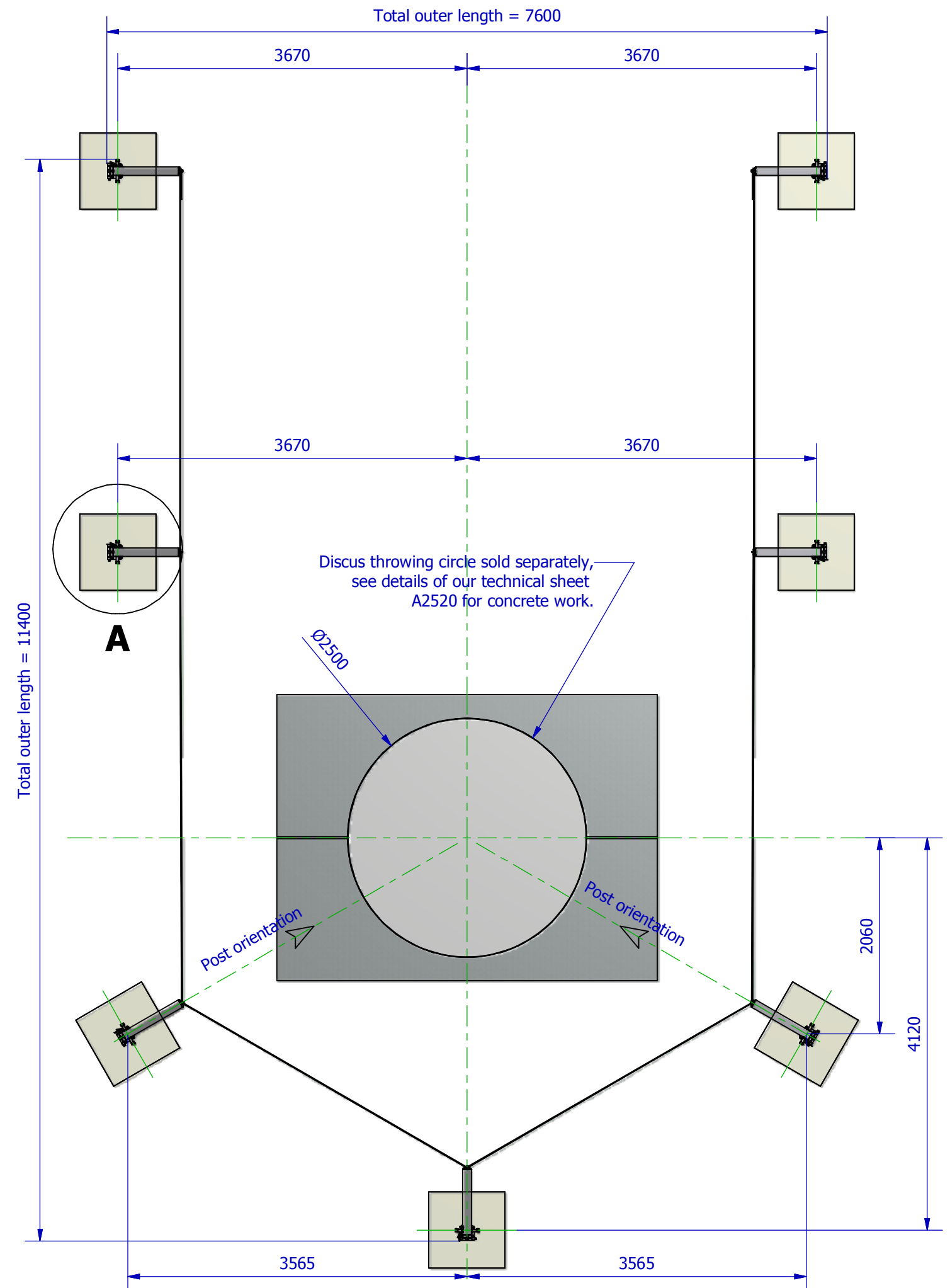
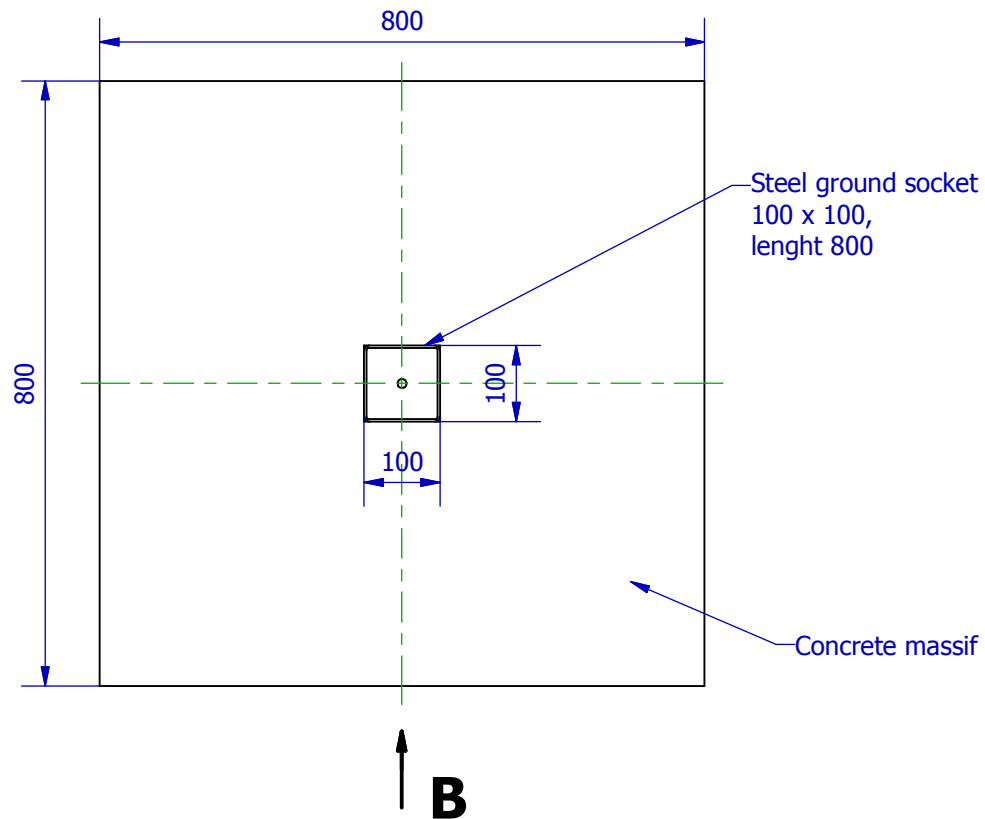
**1 : Concrete work**



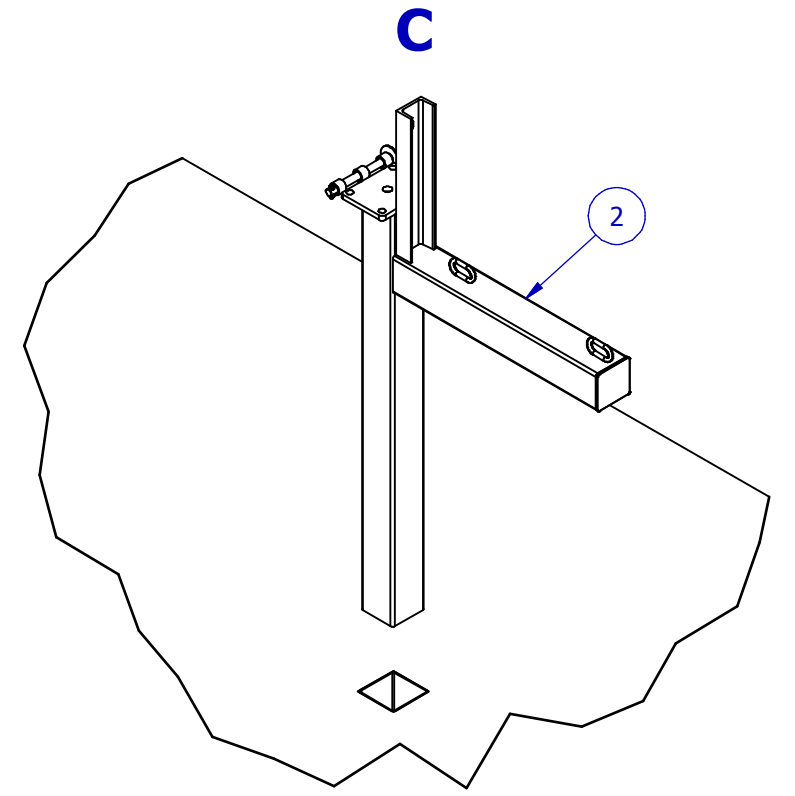
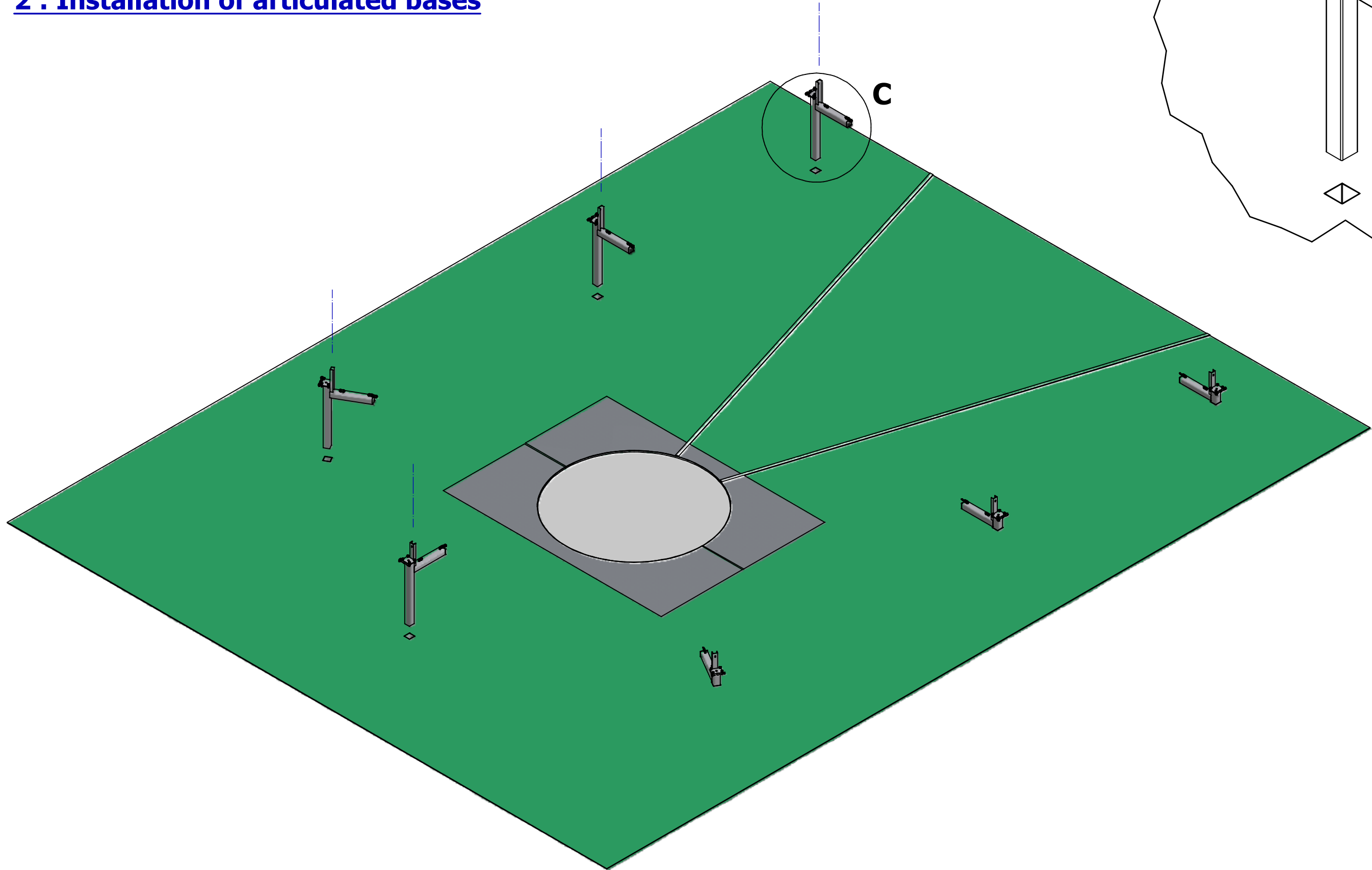
7 concrete massifs at 350 kg/m<sup>3</sup>, dimensions 800 x 800 x 800 mm.

Before the installation, let the concrete drying in between 21 to 28 days according to the weather.

**A ( 1 : 10 )**

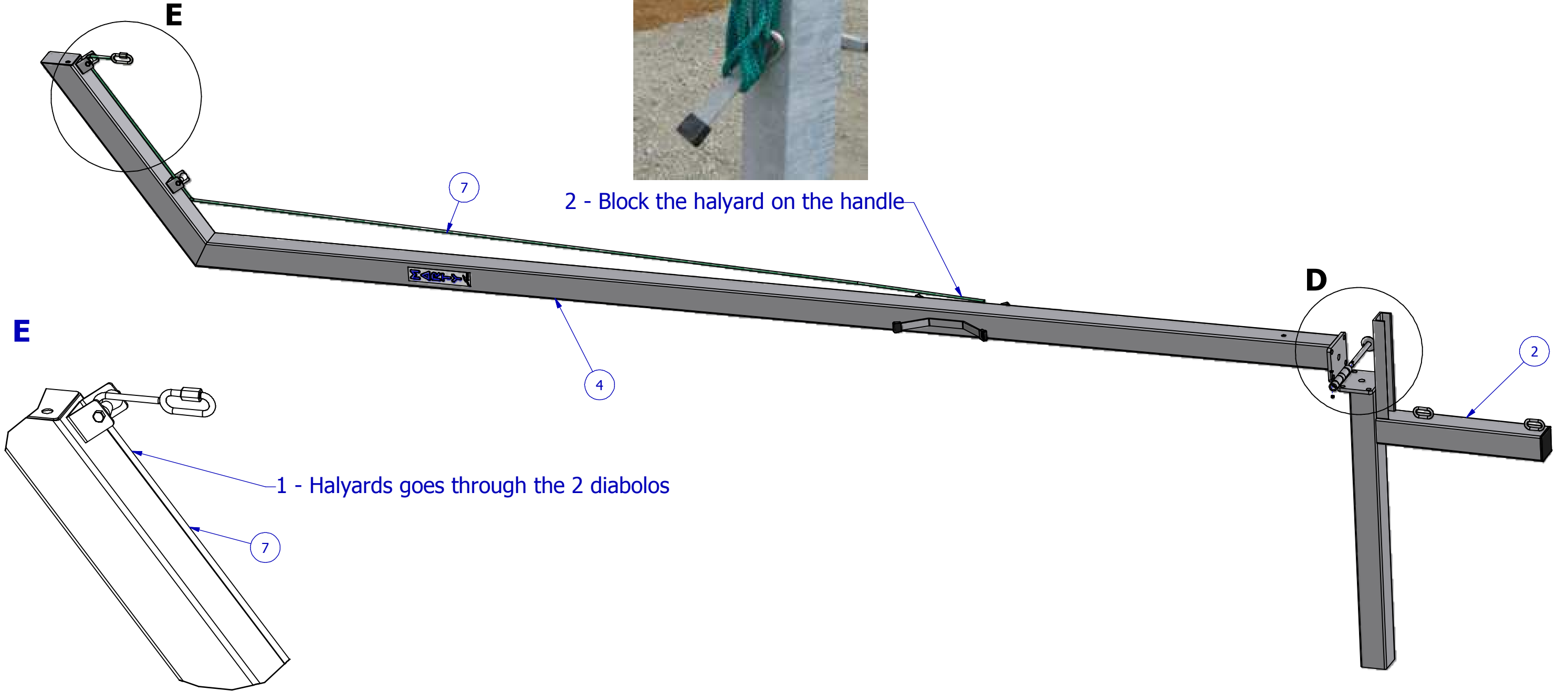
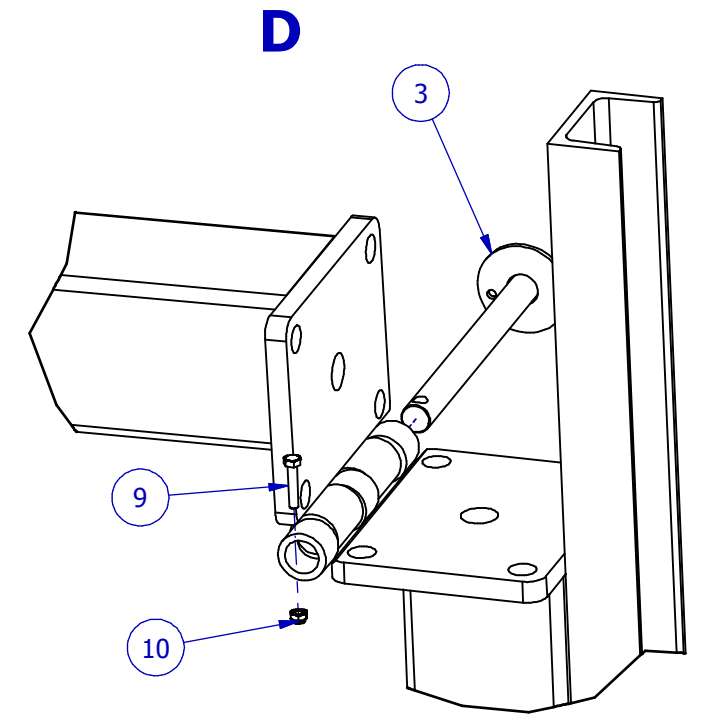


**2 : Installation of articulated bases**



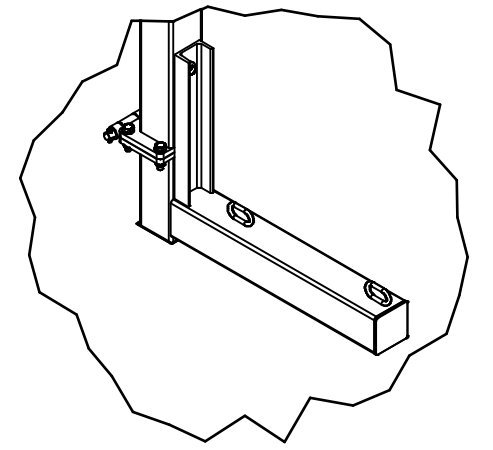
**3 : Installation of posts**

Process the same for each post



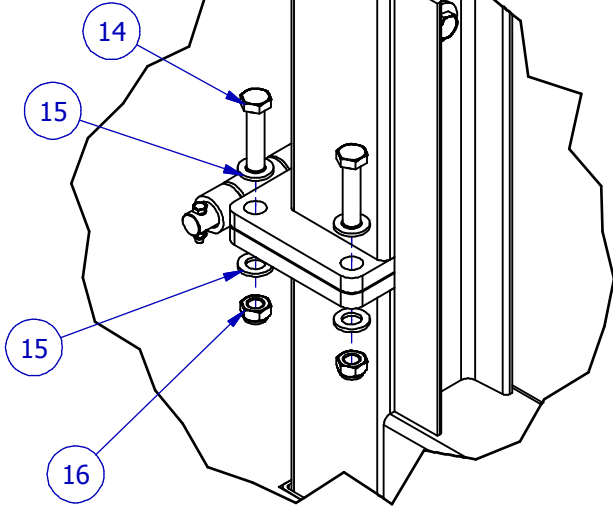


**H**



**4 : Installation of posts**

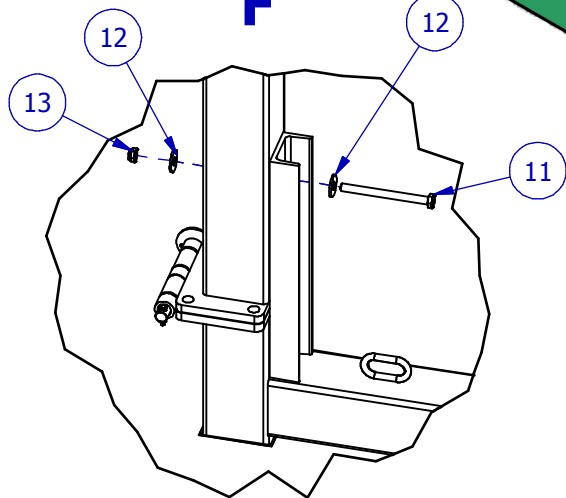
**G**



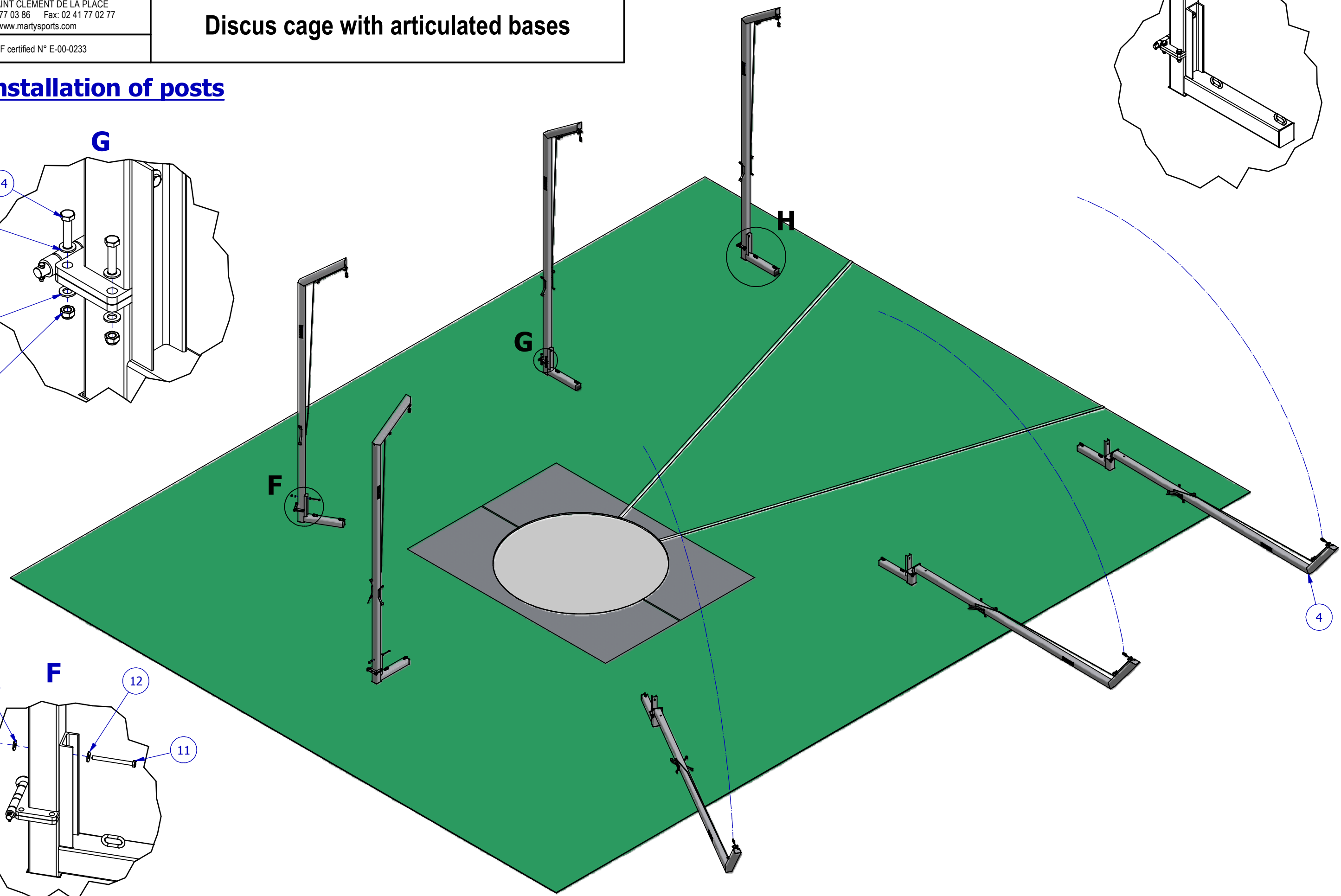
**H**

**F**

**F**



**4**



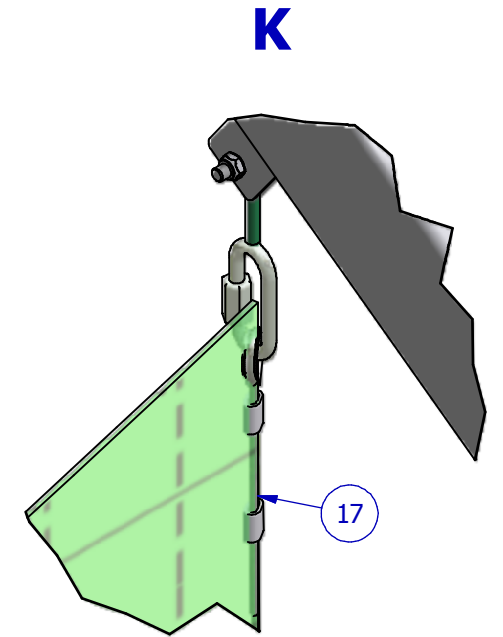
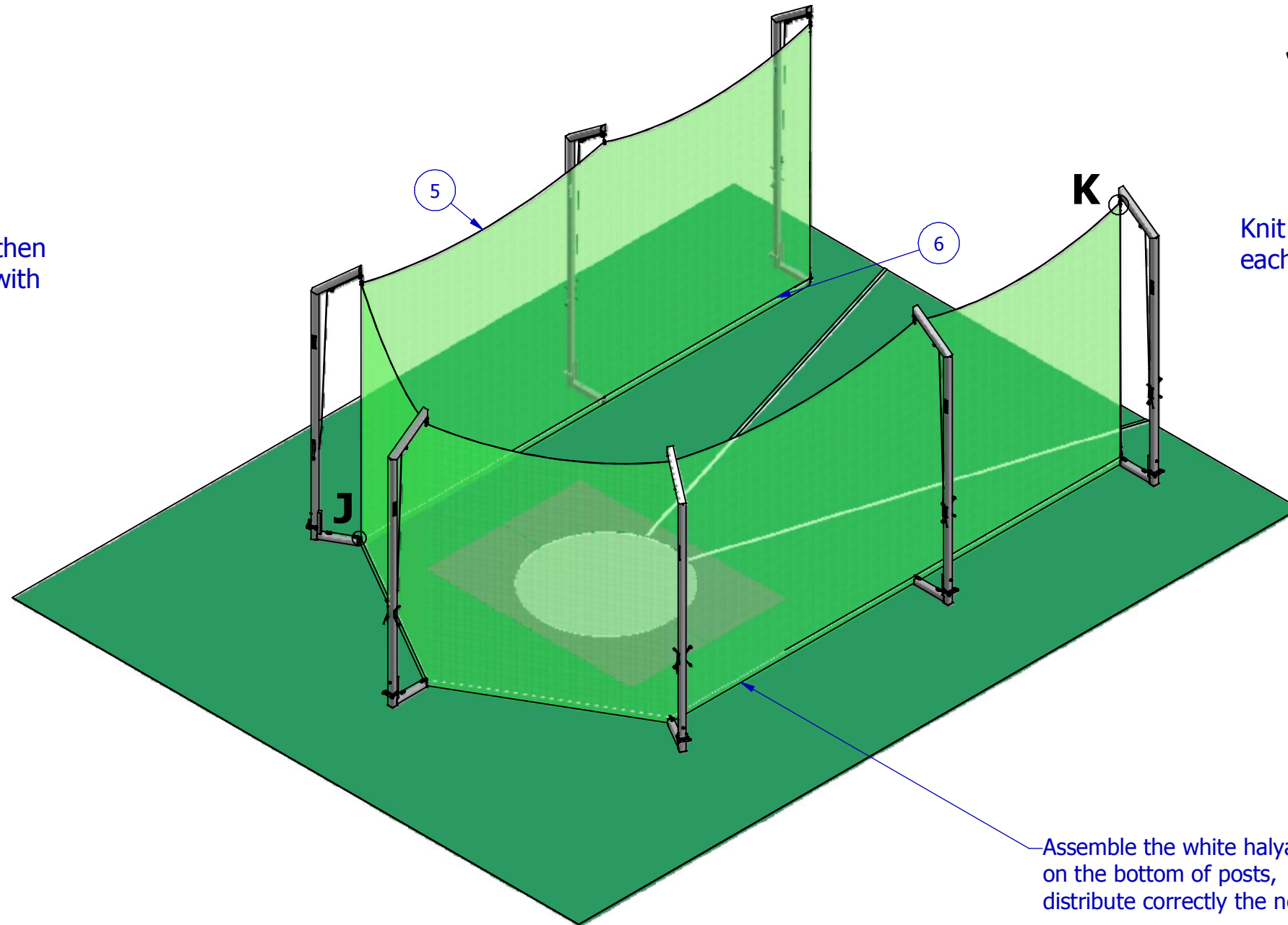
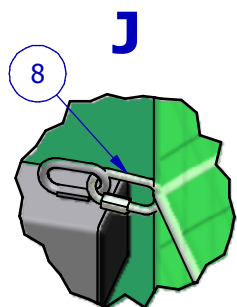
**5 : Assemble and set-up the netting**



Braid the cable in the high part of the net, then stick with a fast stitch on every extremity (with the fast stitch of every halyard).



Net is maintained on each post in order to have IAAF dimensions required.



Knit wire cable in the net on each side first post.

Assemble the white halyard on the bottom of posts, distribute correctly the net.





**Discus cage with articulated bases****CERTIFICATE**

THE IAAF IS PLEASED TO CERTIFY HEREBY  
THAT THE FOLLOWING PRODUCT

of the Company: Marty Sports  
Title of Product: Throwing cage, Discus  
Colour / Thickness: White  
Catalogue Number: A2420  
Certification N°: E-00-0233

HAS BEEN TESTED AND MEETS THE TECHNICAL REQUIREMENTS FOR  
USE IN ALL INTERNATIONAL ATHLETIC COMPETITIONS.

THIS CERTIFICATE IS ISSUED IN ACCORDANCE WITH THE TERMS AND  
CONDITIONS OF THE IAAF CERTIFICATION SYSTEM OF TRACK AND  
FIELD FACILITIES, IMPLEMENTS AND COMPETITION EQUIPMENT.

This certificate is valid from: 1 July 2008  
until the last day of July 2012

PIERRE WEISS  
IAAF General Secretary



JORGE SALCEDO  
IAAF Technical Committee Chairman