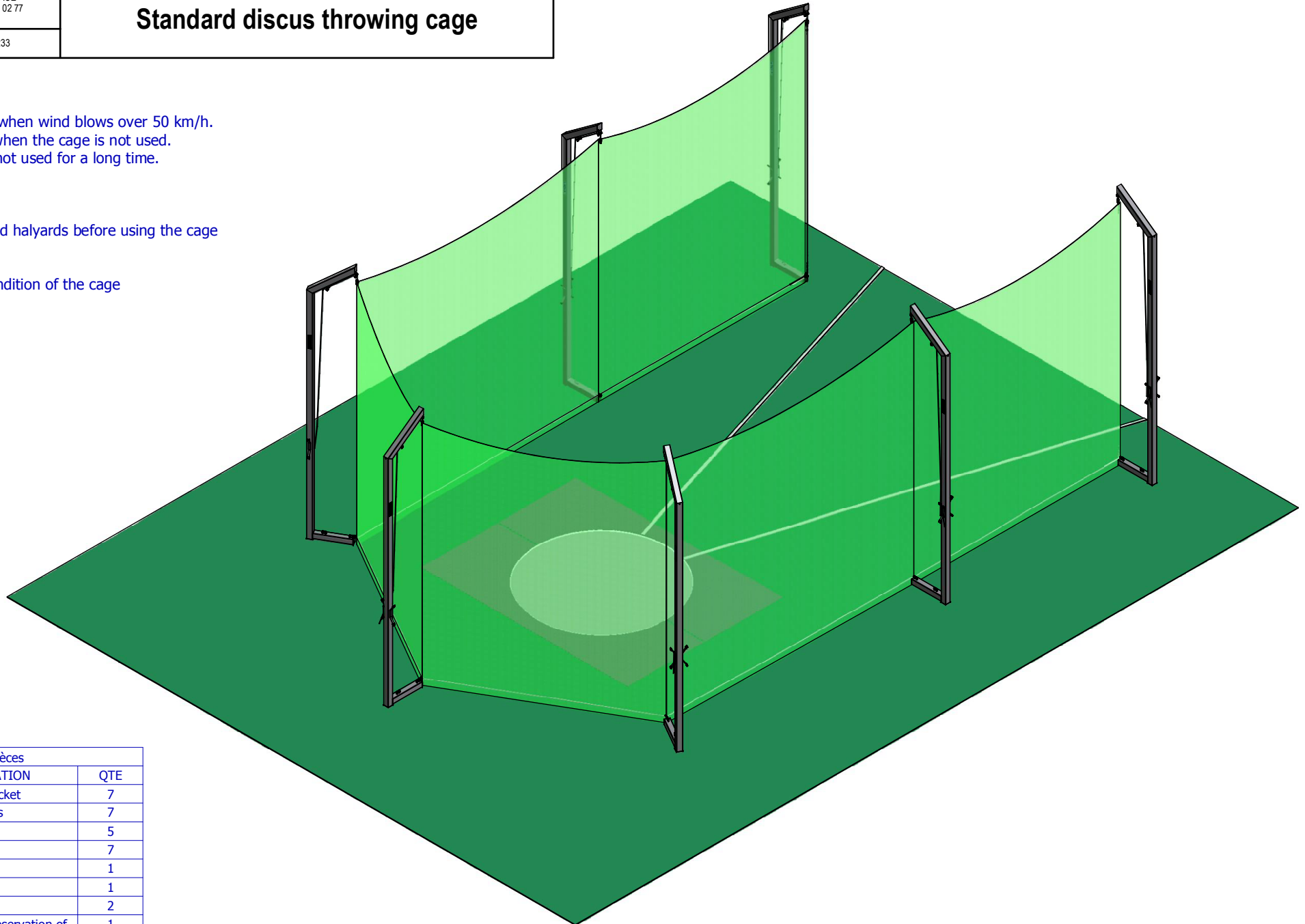


**Standard discus throwing cage****CAUTION :**

- Do not use the cage when wind blows over 50 km/h.
- Take the nets down when the cage is not used.
- Store the nets when not used for a long time.

**MAINTAINANCE :**

- Check nets, cables and halyards before using the cage
- Check solerings
- Check thighennings
- Check the general condition of the cage

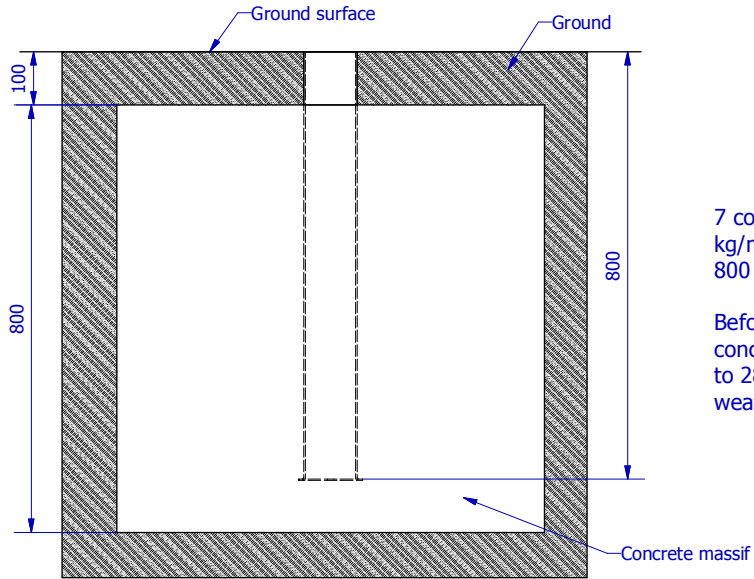


## Liste de pièces

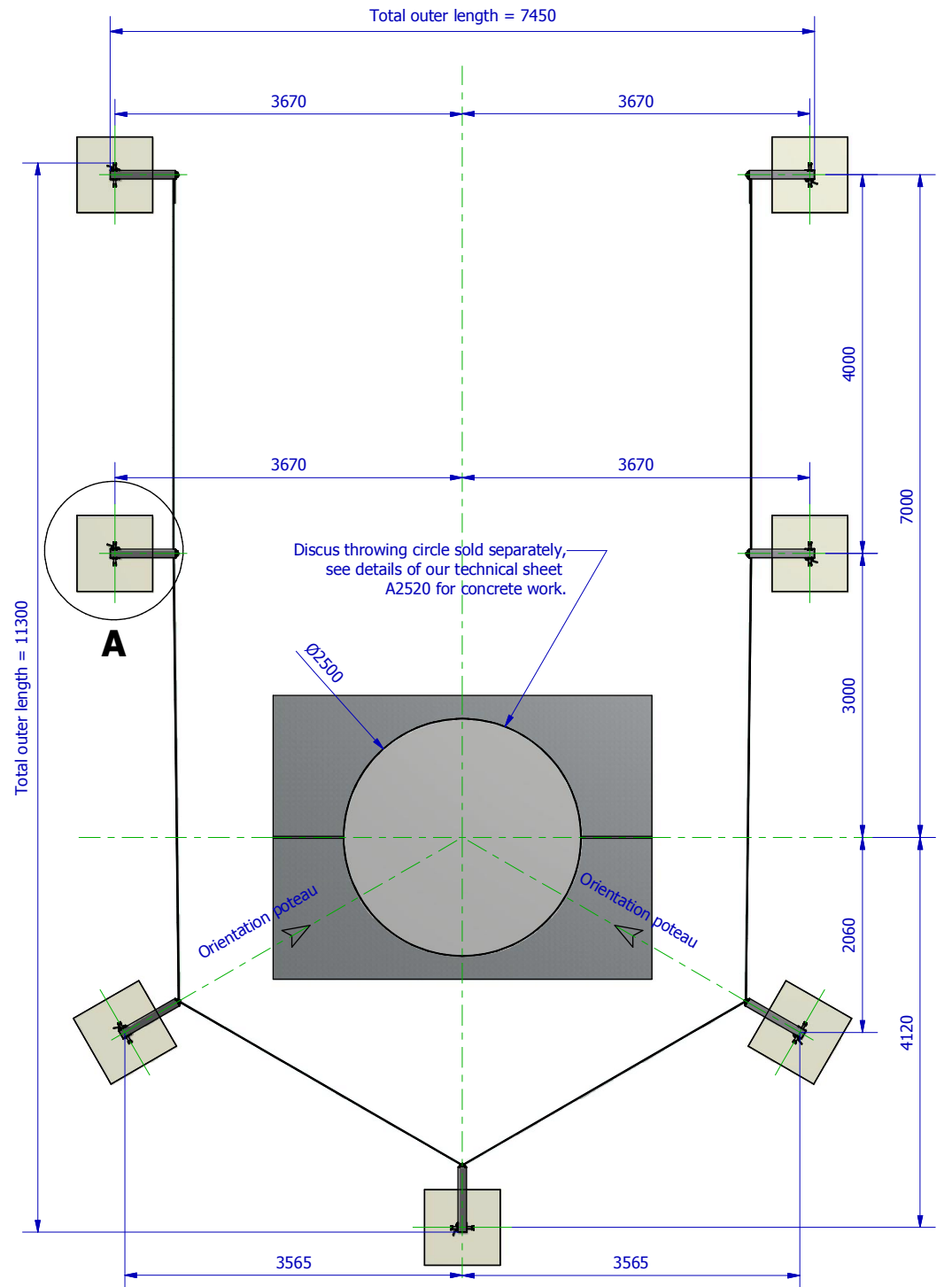
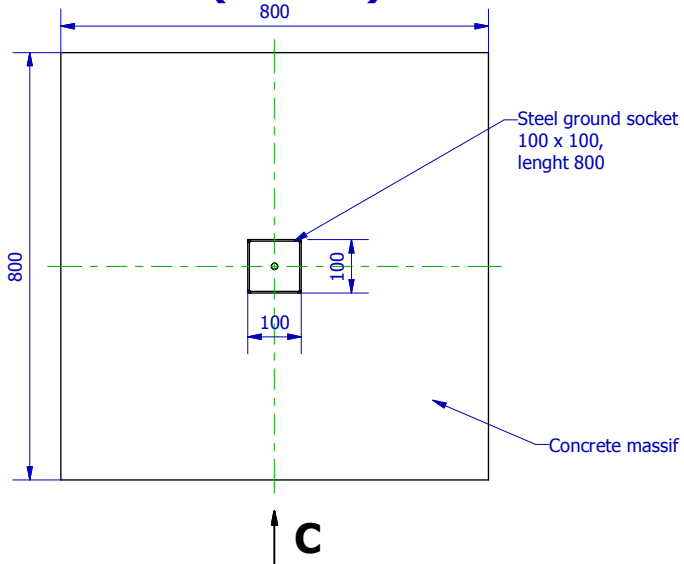
ARTICLE	DESIGNATION	QTE
1	Single ground socket	7
2	Discus cage posts	7
3	Snap link Ø8	5
4	Green halyard	7
5	Discus net	1
6	White halyard	1
7	Wire cable	2
8	Wire Cable of preservation of the net (length 24m70)	1

## Standard discus throwing cage

### 1 : Concrete work



### A (1 : 10)



## Standard discus throwing cage

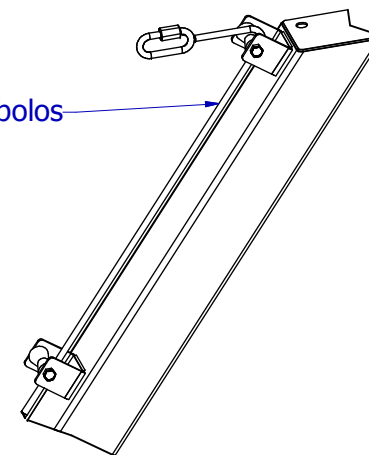
### 2 : Installation of posts

Process the same for each post



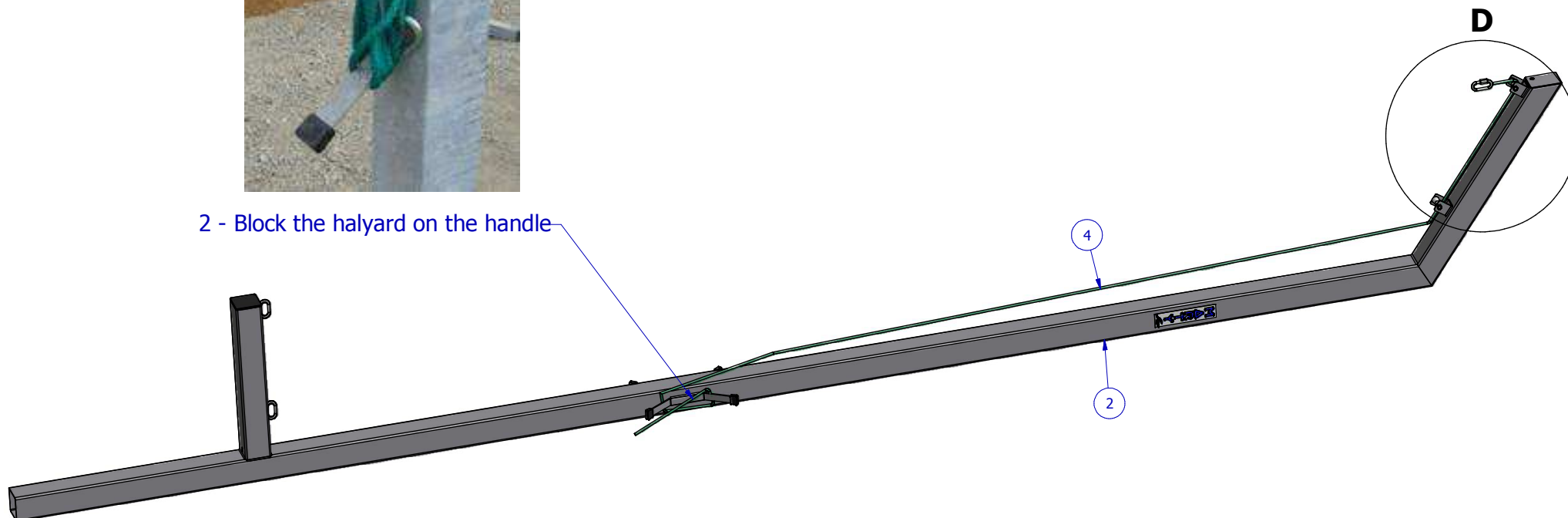
2 - Block the halyard on the handle

**D**



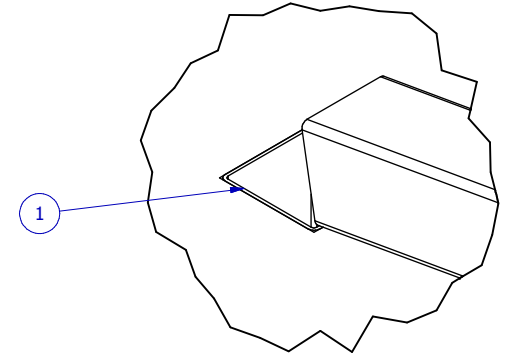
1 - Halyards goes through the 2 diabolos

**D**

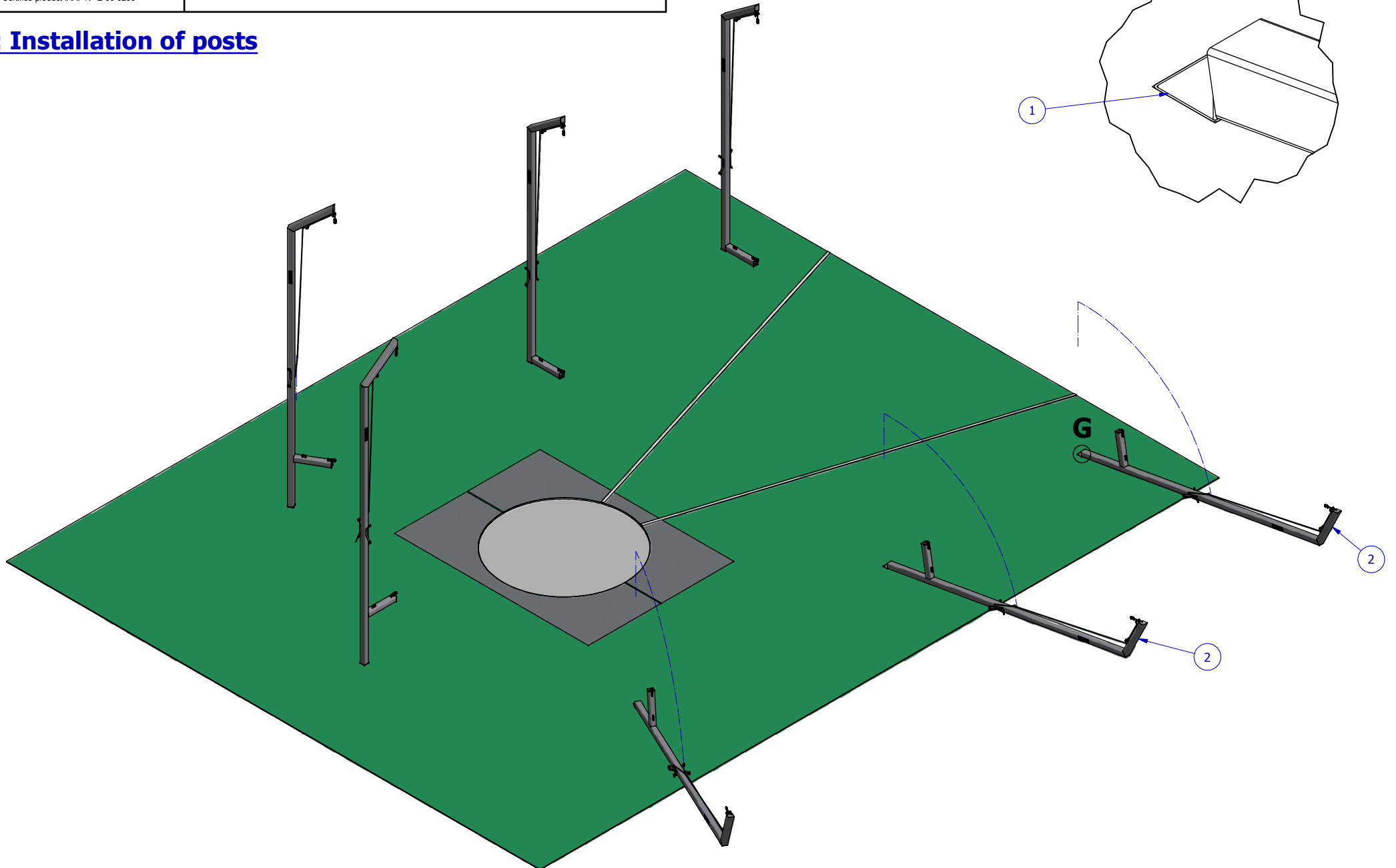


## Standard discus throwing cage

**G (1:4)**



### 4 : Installation of posts



## Standard discus throwing cage

### 5 : Assemble and set-up the netting

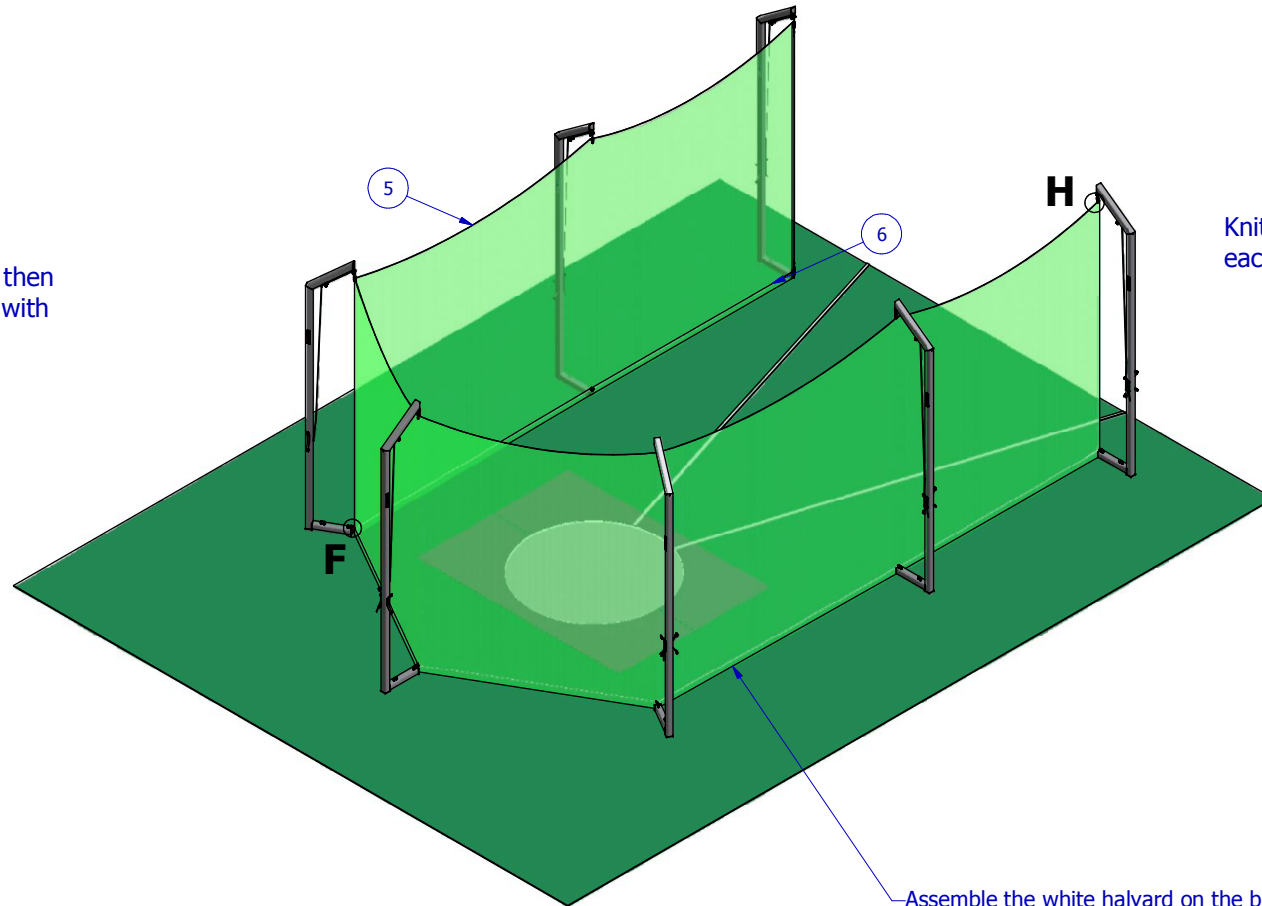
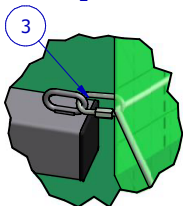


Braid the cable in the high part of the net, then stick with a fast stitch on every extremity (with the fast stitch of every halyard).

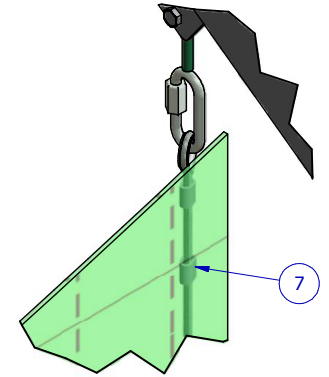


Net is maintained on each post in order to have IAAF dimensions required.

**F**



**H**



Knit wire cable in the net on each side first post.

Assemble the white halyard on the bottom of posts, distribute correctly the net.

