

Standard discus throwing cage**CAUTION :**

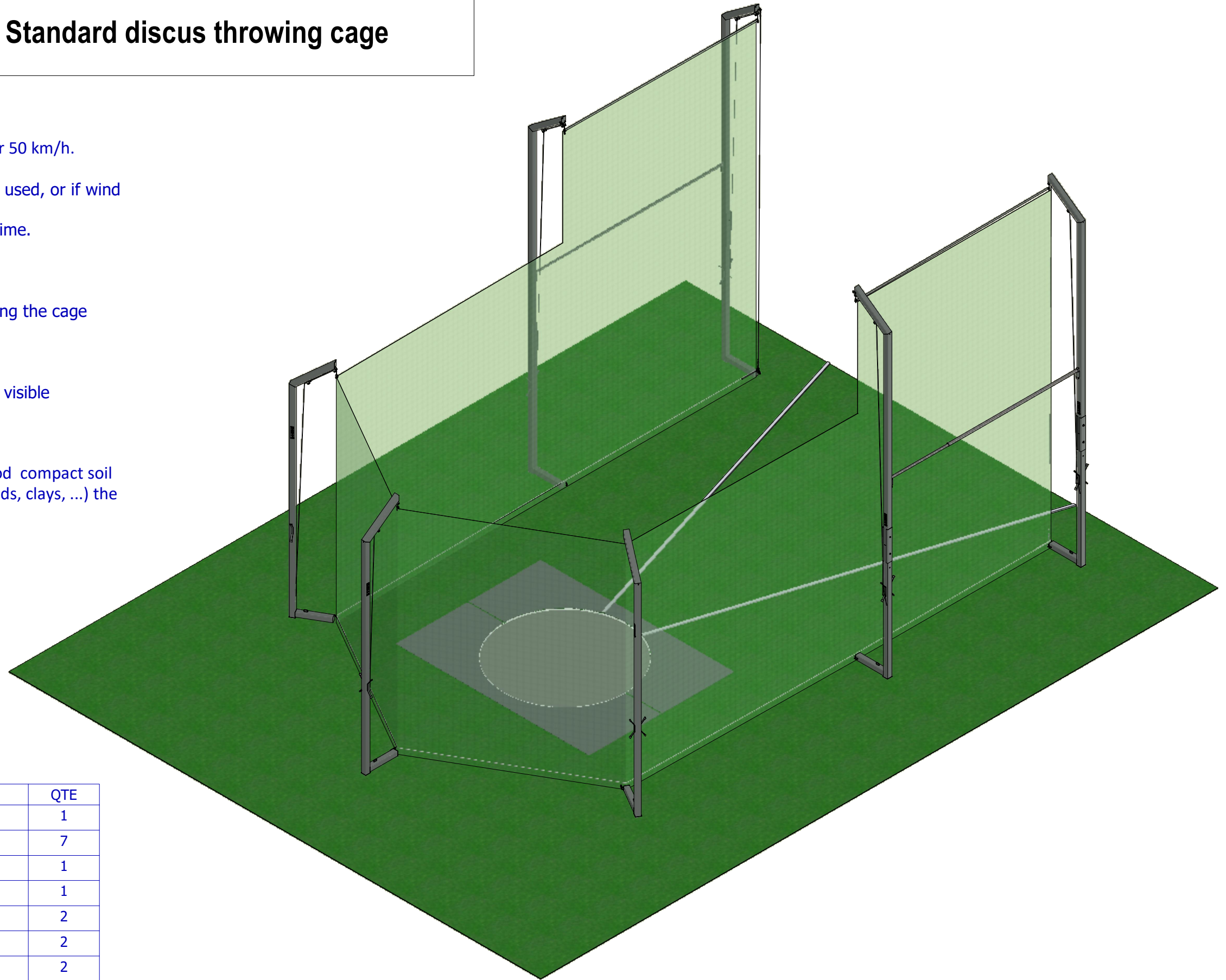
- Do not use the cage when wind blows over 50 km/h.
Lower the netting and secure the gates
- Take the nets down when the cage is not used, or if wind velocity over 148km/h (41m/s)
- Store the nets when not used for a long time.

MAINTAINANCE :

- Check nets, cables and halyards before using the cage
- Check solerings
- check thightennings
- Check the general condition of the cage
- Check WA indication should readable and visible

ASSEMBLING :

- The concrete footings are designed for good compact soil ground conditions, if this is not the case (sands, clays, ...) the footings need to be larger.



| ARTICLE | DESIGNATION | QTE |
|---------|-----------------------|-----|
| 1 | discus throwing area | 1 |
| 2 | Single ground socket | 7 |
| 6 | Netting A2422A | 1 |
| 7 | Halyard | 1 |
| 9 | Entretoise ASS B | 2 |
| 10 | Entretoise ASS | 2 |
| 11 | Wire cable | 2 |
| 12 | Tringle complete | 2 |
| 3.2 | Discus cage post 7m | 2 |
| 3.1 | Discus cage post 7m | 2 |
| 4 | Discus cage post 4.5m | 3 |

Standard discus throwing cage

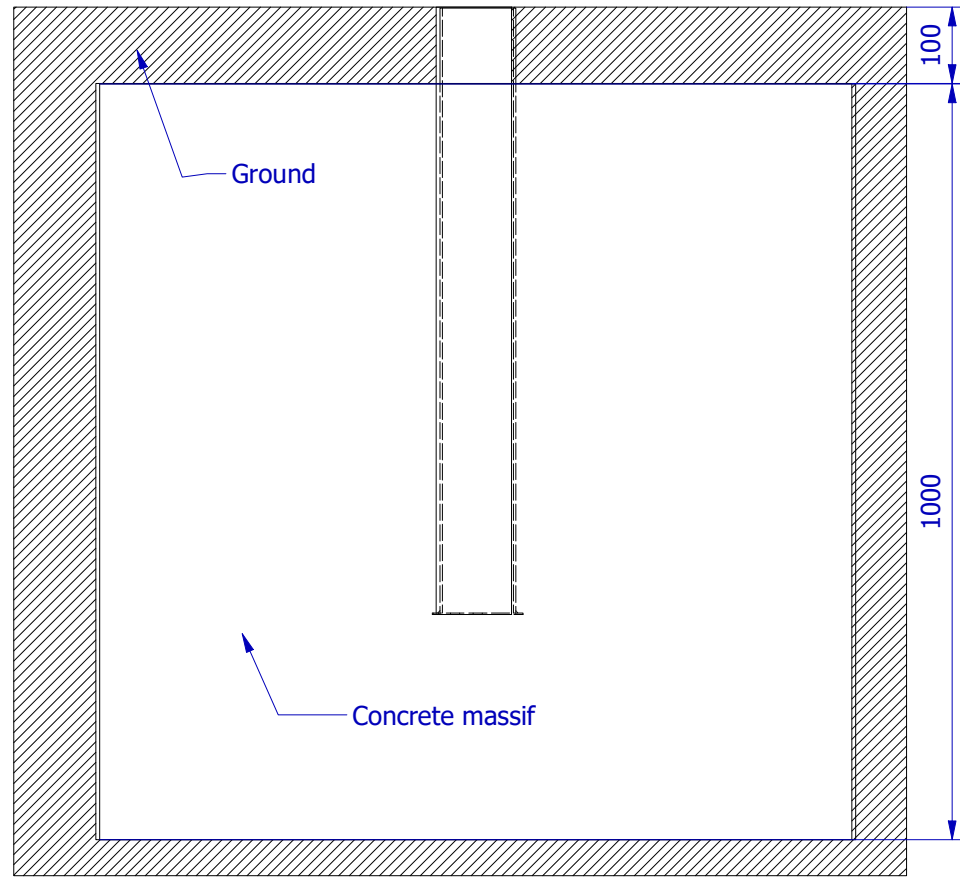
1 : Concrete work

7 concrete massifs at 350 kg/m³, dimensions 1000 x 1000 x 1000 mm.

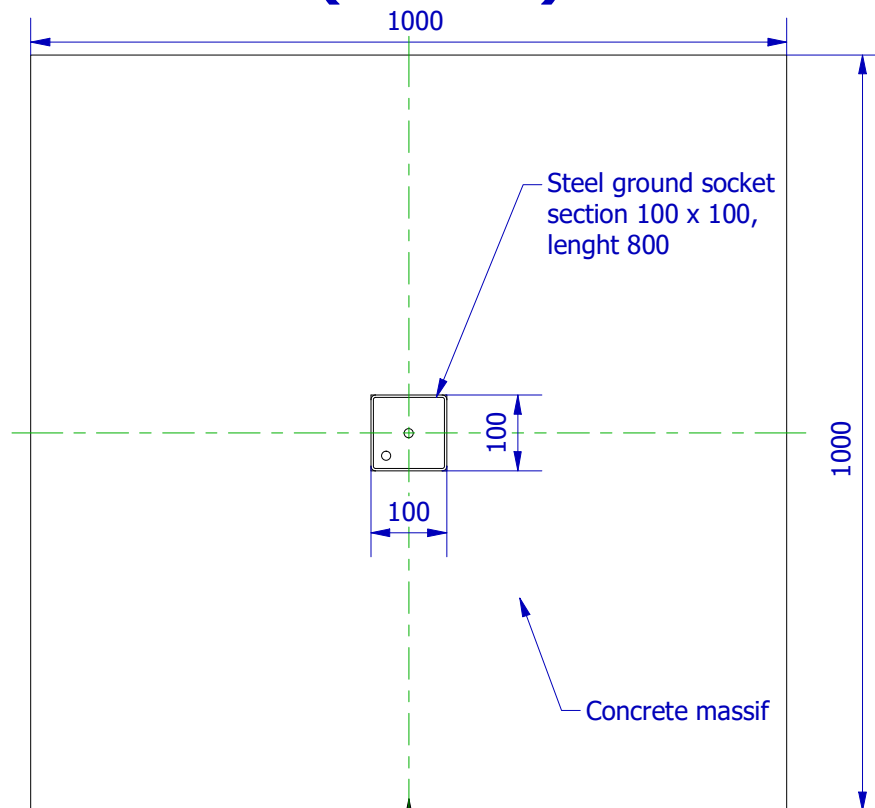
Before the installation, let the concrete drying in between 21 to 28 days according to the weather.

The conformance of permitted soil pressure is customer's responsibility (of $\sigma_{perm} = 200 \text{ kN/m}^2$ respectively $\sigma_{Rd} = 280 \text{ kN/m}^2$). if this is not the case the footings need to be larger.

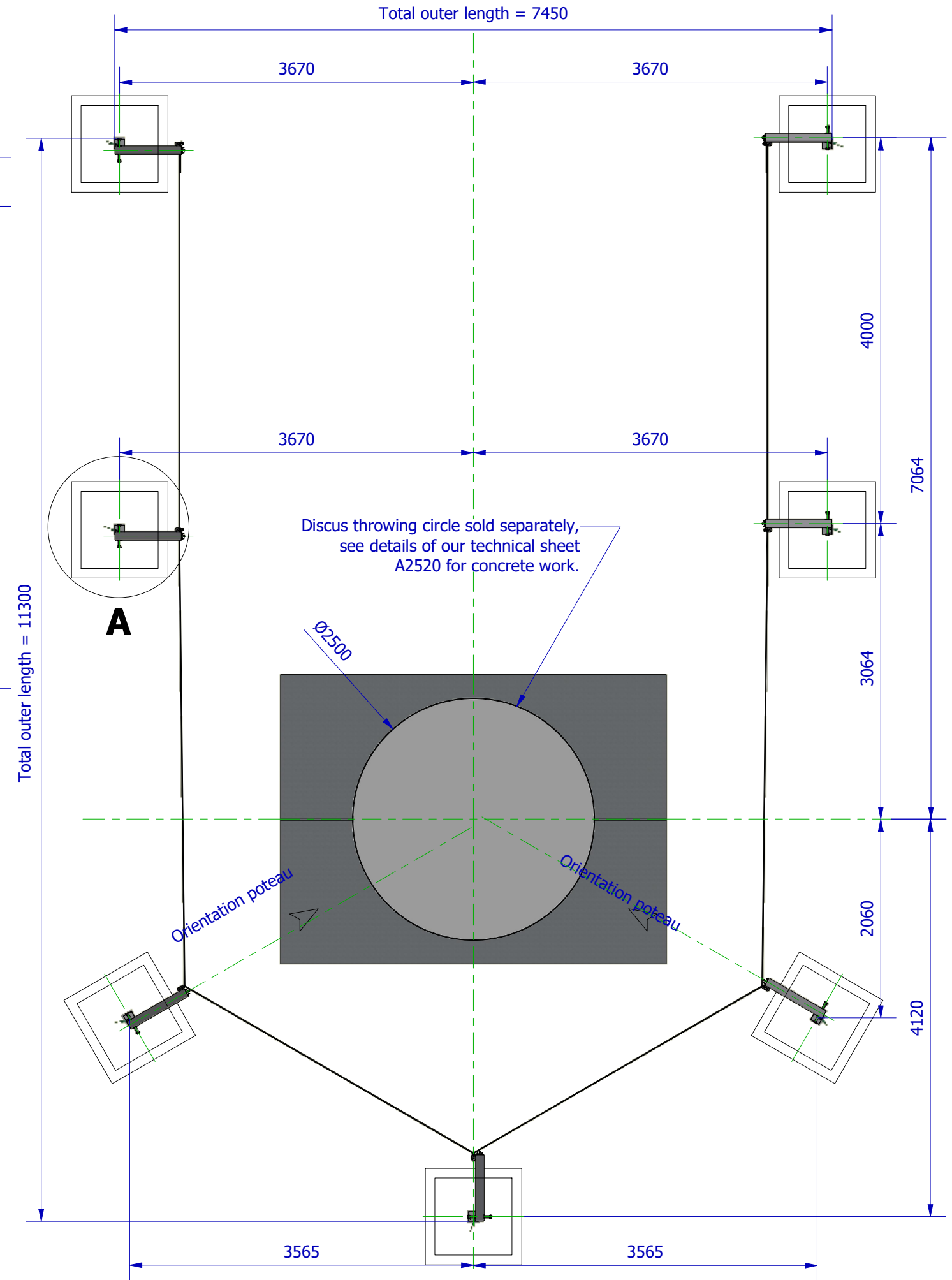
Socket must be maintained vertical



A (1 : 10)



C

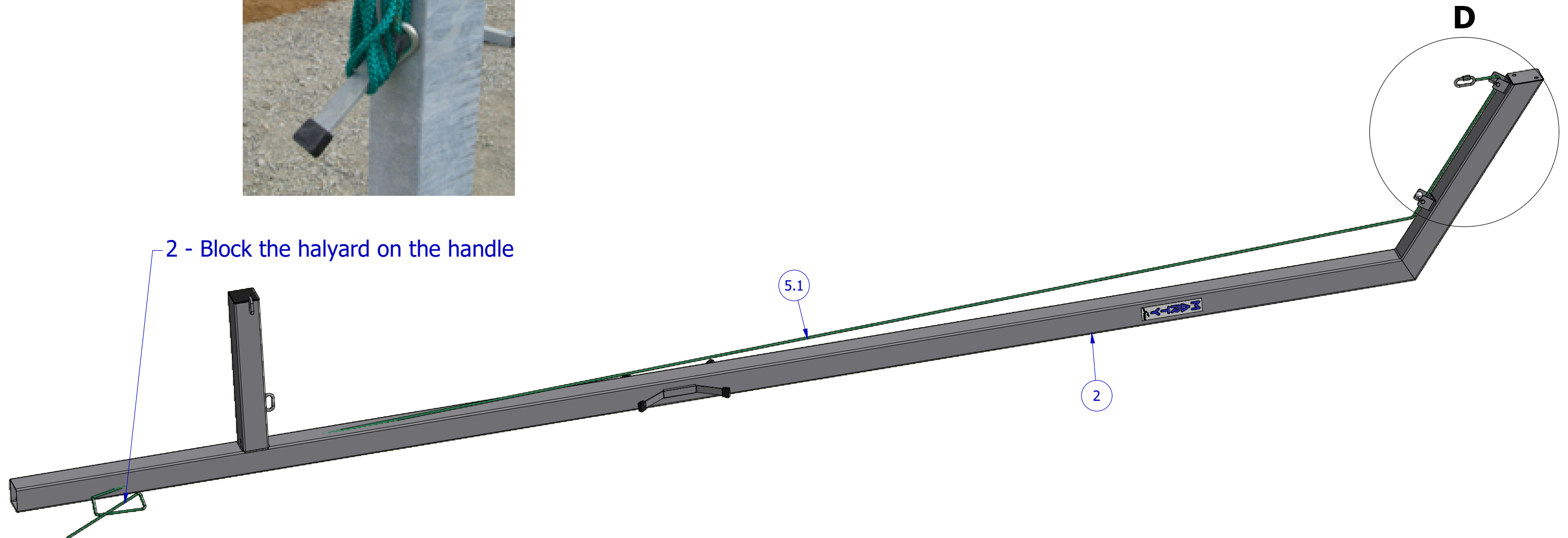


2 : Installation of posts

repeated the operation for each posts

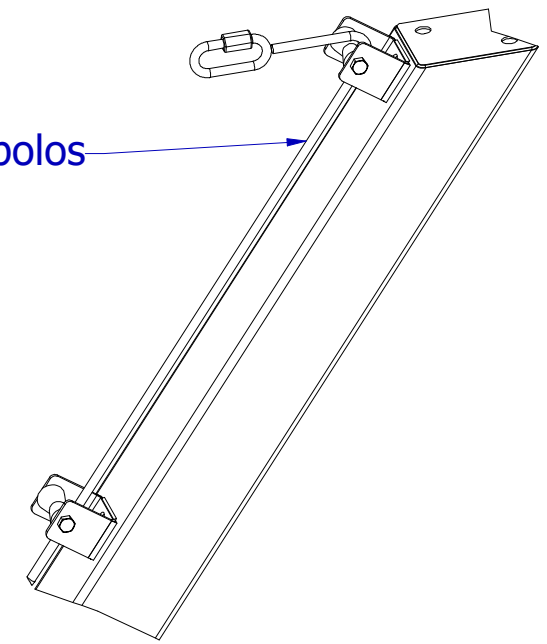


2 - Block the halyard on the handle



D

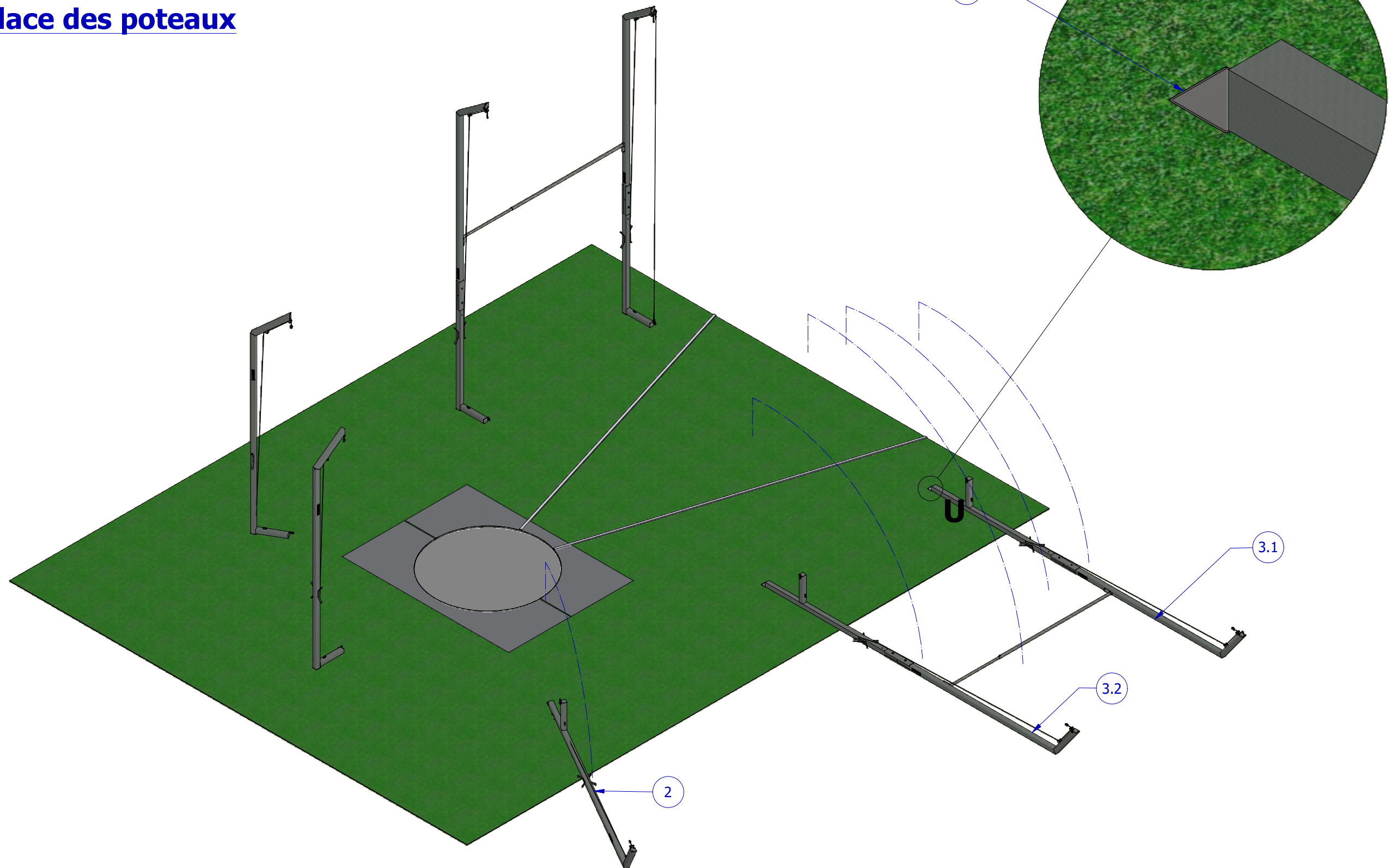
1 - Halyards goes through the 2 diabolos



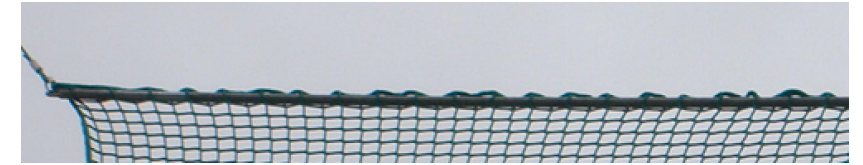
D

Standard discus throwing cage

Installation of posts points 2 and 3
(90x90 thickness 3)
in steel sheaths point 1
(100x100 thickness 3 lg 800)

U (1 : 5)**4 : Mise en place des poteaux**

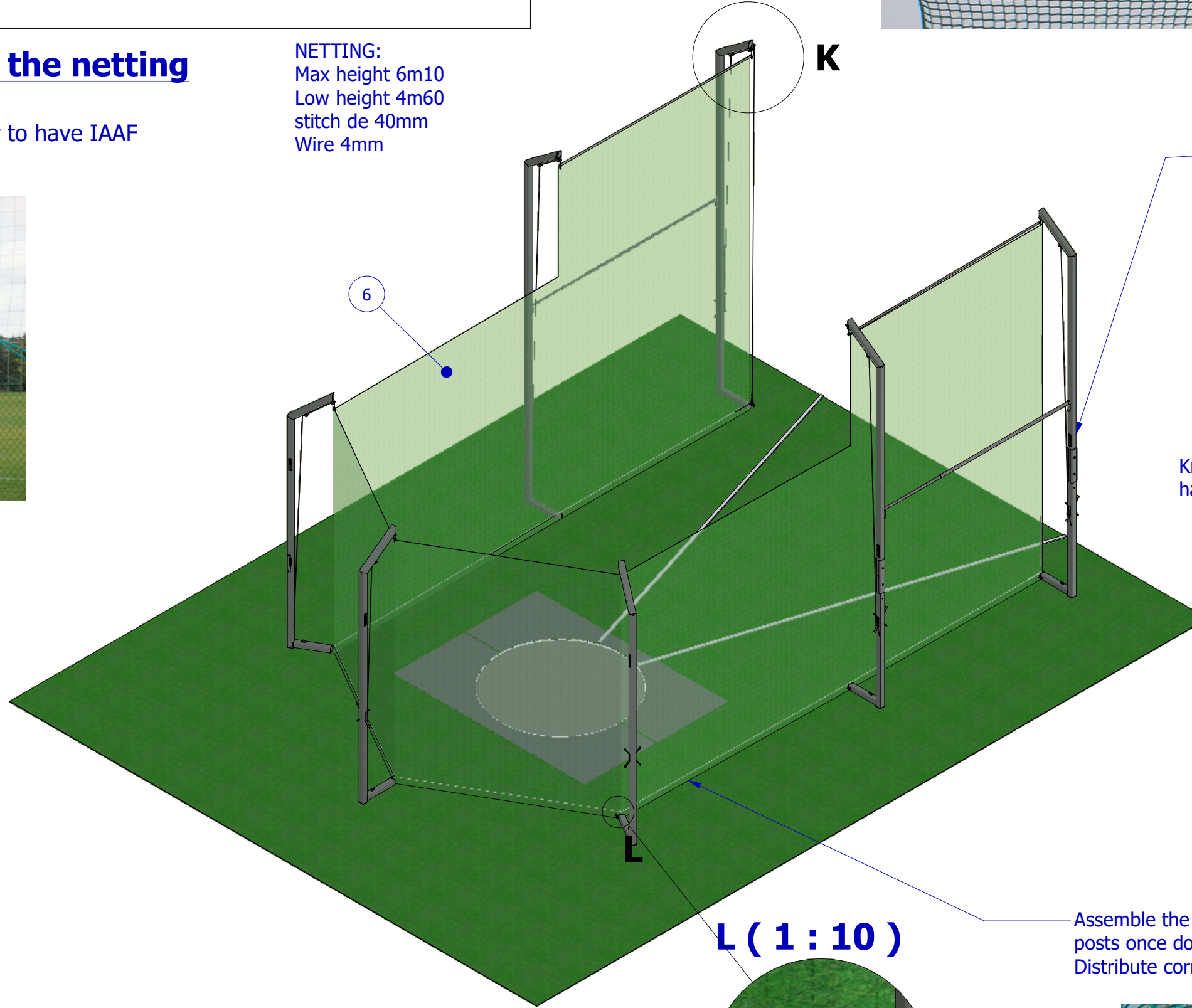
Kint steel rods on the top of the front nets



5 : Assemble and set-up the netting

Net is maintained on each post in order to have IAAF dimensions required

NETTING:
 Max height 6m10
 Low height 4m60
 stitch de 40mm
 Wire 4mm



World Athletics
 Identification plate



MARTY sports
 A2422 Model
 Discus cage
 Netting A2422FI :
 45x45x5mm polypropylene netting

The posts wind resistance with the netting, lowered is designed for a sheltered location at a maximum of 148 km/h (42m/s)

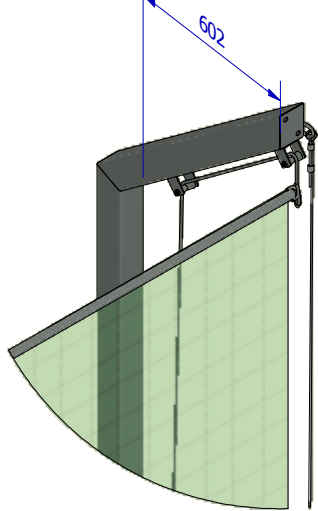


WARNING
 Caution in and around the cage
 Stand at least 3 meters back when in use
 Always lower the net when the wind speed reaches 15m/s or when the cage is not in use

Knit steel rods on the top of nets, and hang it with the link to each extremity

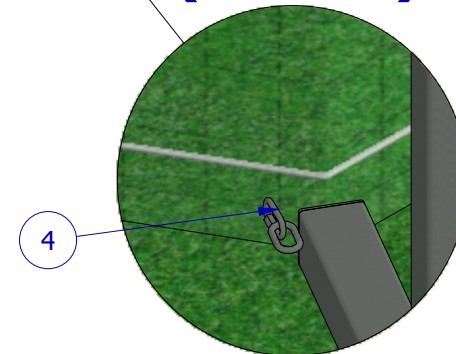


K (1 : 20)



offset between net and posts

L (1 : 10)



Assemble the white halyard on the bottom of posts once doors are opened.
 Distribute correctly all the points to hang the net

