

Hammer cage with articulated posts

Certified product IAAF N° E-00-0238

Liste de pièces

ARTICLE	DESIGNATION	QTE
1	Single ground socket	6
2	Double ground socket	4
3	Articulated bases	10
4	Posts hing pins	10
5	Articulated bottom of post of 7m00	6
6	Articulated botm of post of 10m00	4
7	Top of posts	10
8	Strengthener for 10m00 posts	4
9	Cross-struts	11
10	Connections in between bottom and top posts	20
11	Adjustable hinges	6
12	Hinges for doors	4
13	Door bottom right	1
14	Door top right	1
15	Door bottom left	1
16	Door top left	1
17	Connections in betwenn posts of doors	8
18	Bottom door post	4
19	Top door post	4
20	Doors cross-struts	4
21	Strengthener for door cross-struts (219A)	8
22	Door hinge pin	6
23	Door locking pin	2
24	Door post hinge pin	4
25	Rod for net door	2
26	Rod for 10m00 post net	2
27	13m00 green halyard	6
28	18m00 green halyard	6
29	Stirrup C90	12
30	Washer Ø12L	24
31	Screw TH M12 x 50	40
32	Washer Ø12Z	80
33	Screw-nut M12	64
34	Screw TH 10 x 110	66
36	Screw TH M10 x 40	12
37	Washer Ø10L	164
38	Screw-nut M10	82
39	Screw TH M8 x 50	22
40	Screw-nut M8	22
41	Screw TH M5 x 25	20
42	Screw-nut M5	20
43	Netting	1
44	white halyard	1
45	Wire cable for door	2
46	Snap link Ø8	8
47	Green PVC fixing rings	100
48	19m00 cable ti twist on top of the 7m00 net	1

CAUTION :

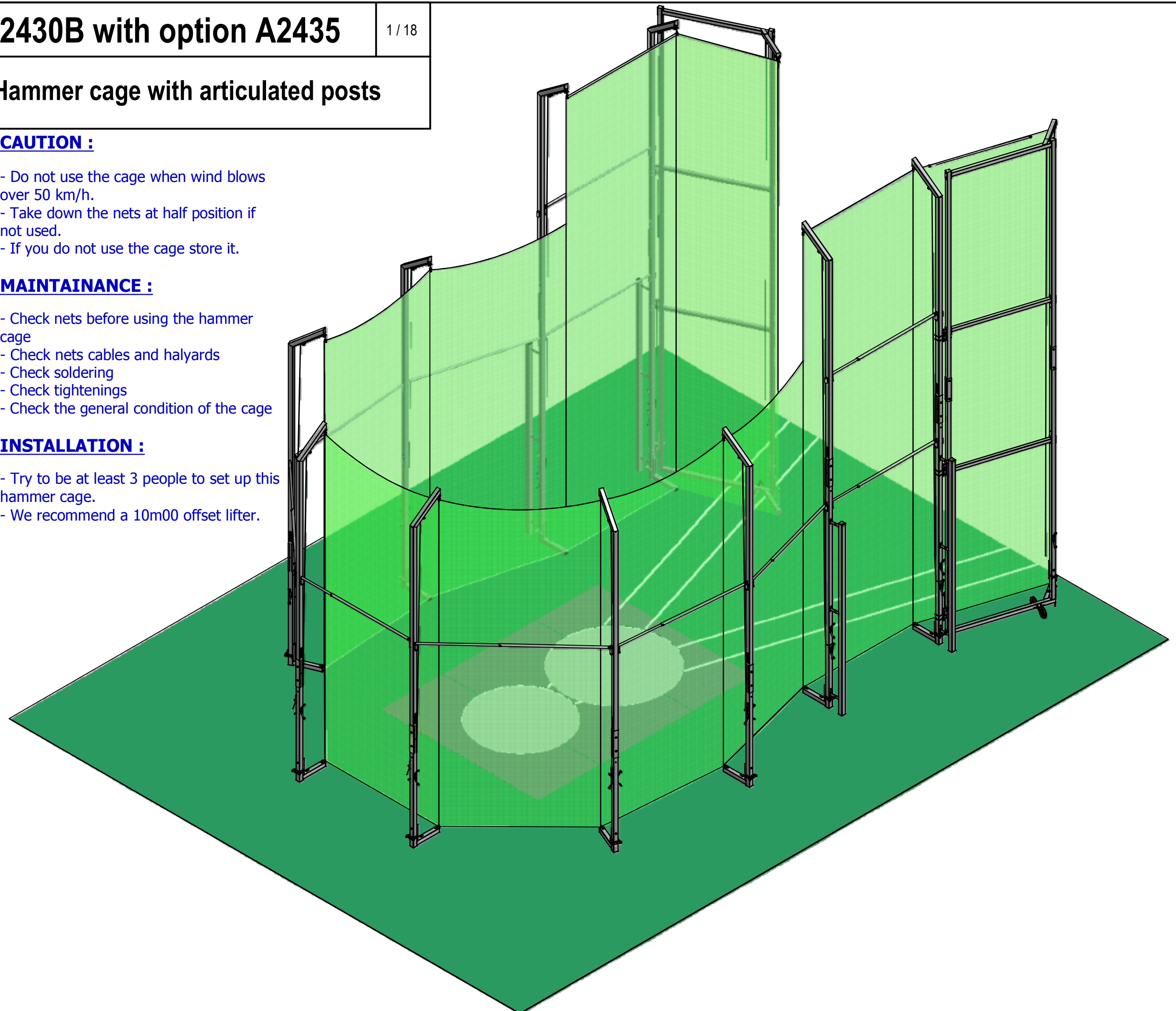
- Do not use the cage when wind blows over 50 km/h.
- Take down the nets at half position if not used.
- If you do not use the cage store it.

MAINTAINANCE :

- Check nets before using the hammer cage
- Check nets cables and halyards
- Check soldering
- Check tightenings
- Check the general condition of the cage

INSTALLATION :

- Try to be at least 3 people to set up this hammer cage.
- We recommend a 10m00 offset lifter.

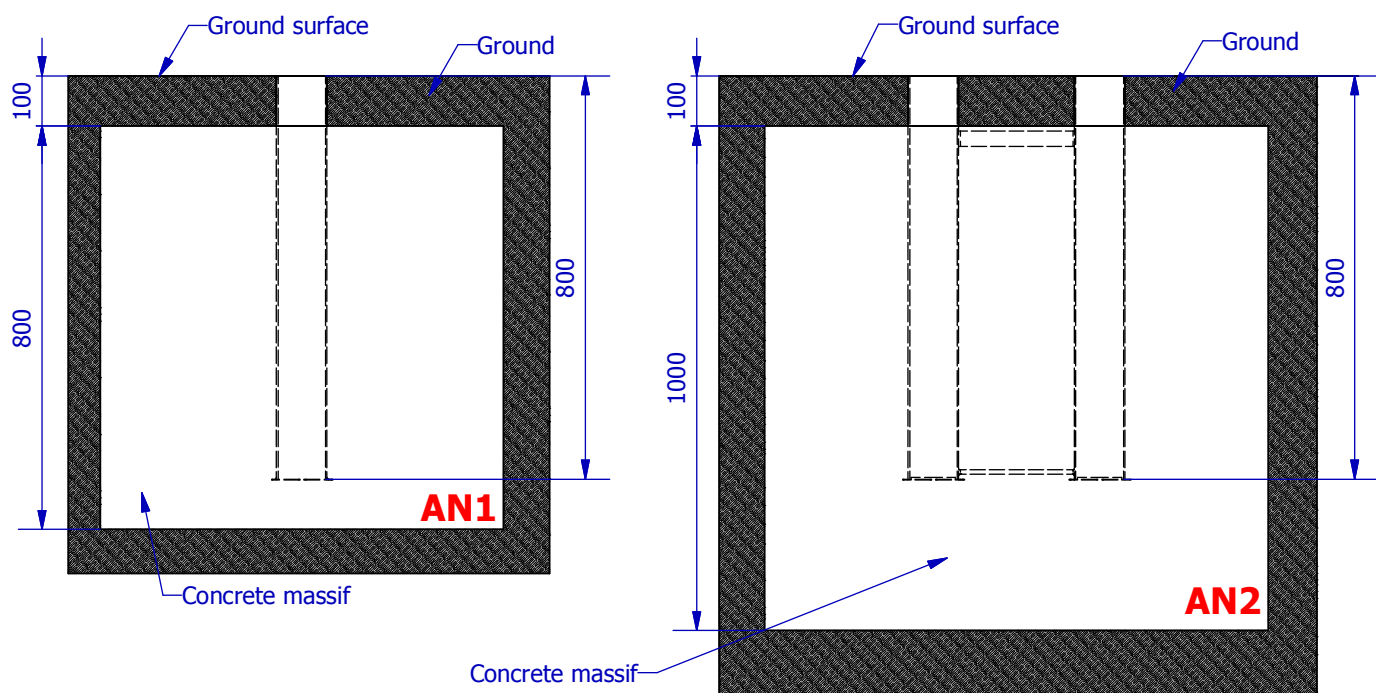


Hammer cage with articulated posts

6 concrete massifs at 350 kg/m³, dimensions 800 x 800 mm x 800 mm.

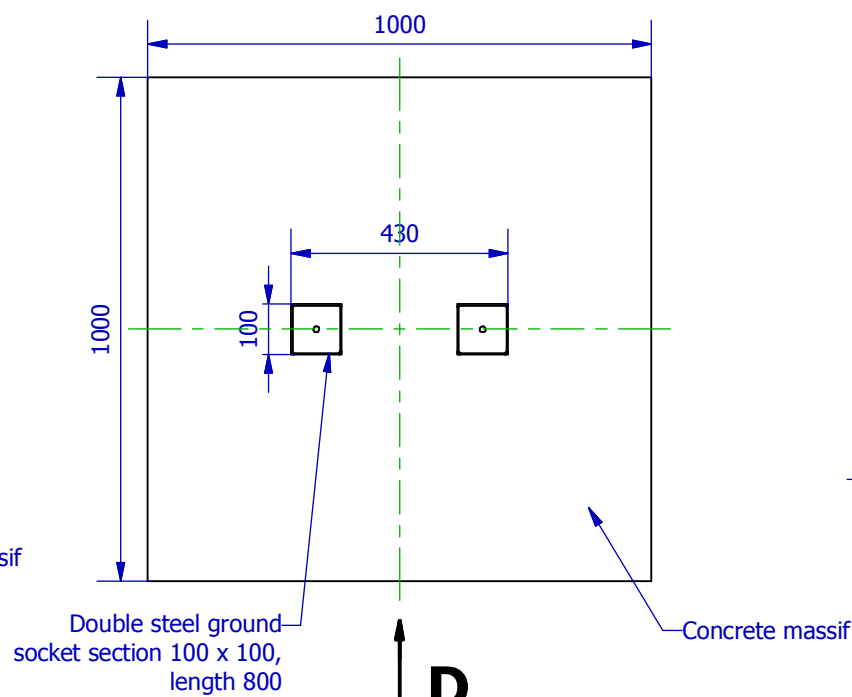
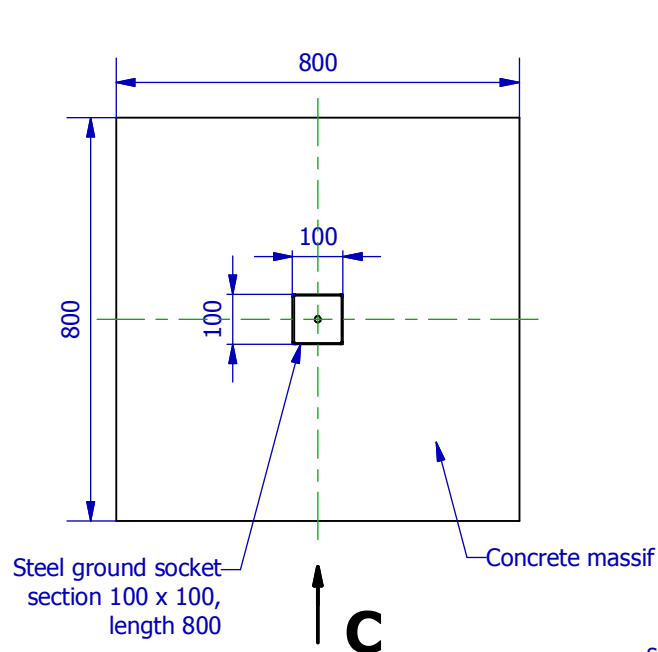
4 concrete massifs at 350 kg/m³, dimensions 1000 x 1000 mm x 1000 mm.

Drying is about 21 to 28 days depending on the weather, before installation.

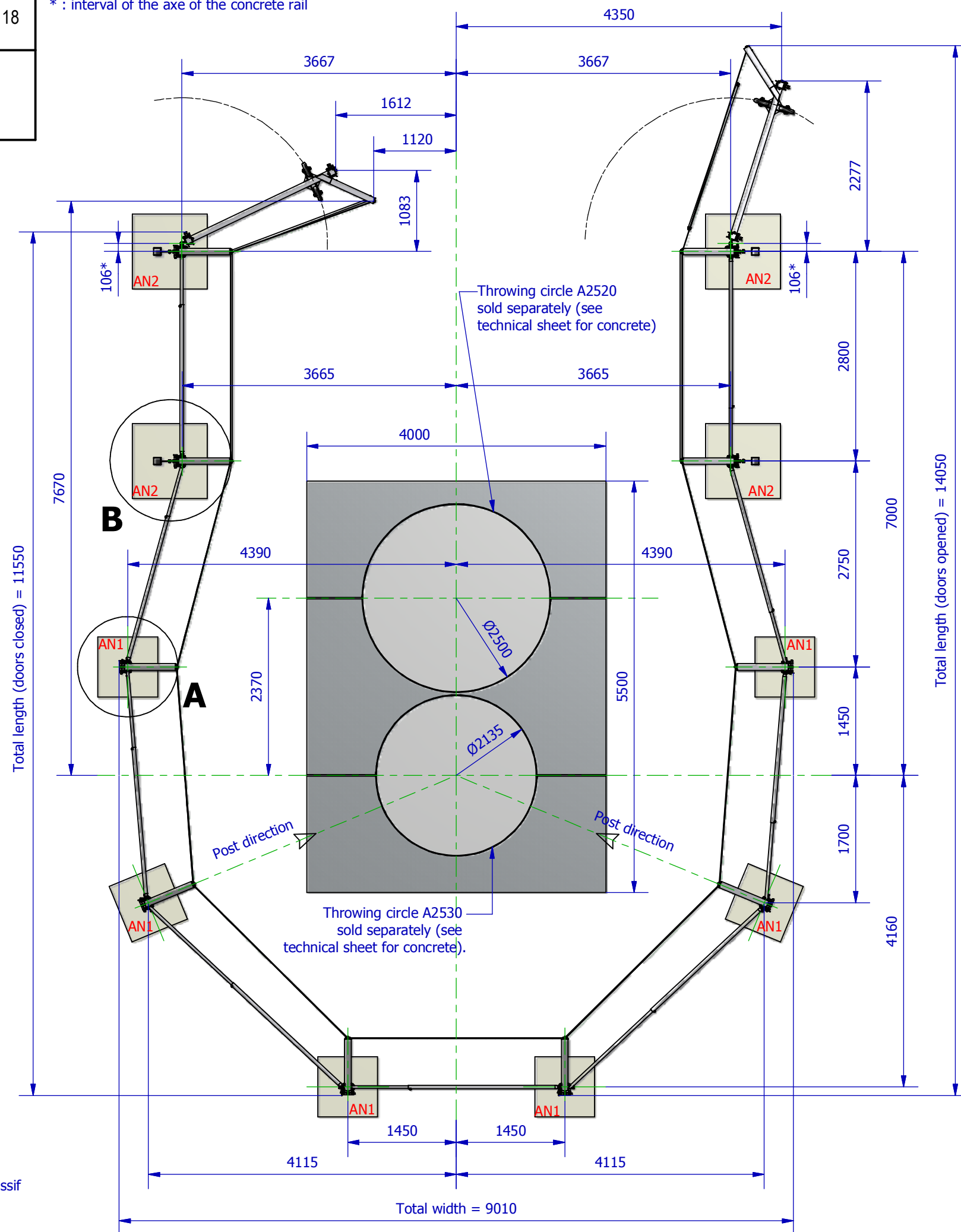


A (1:15)

B (1:15)



* : interval of the axe of the concrete rail

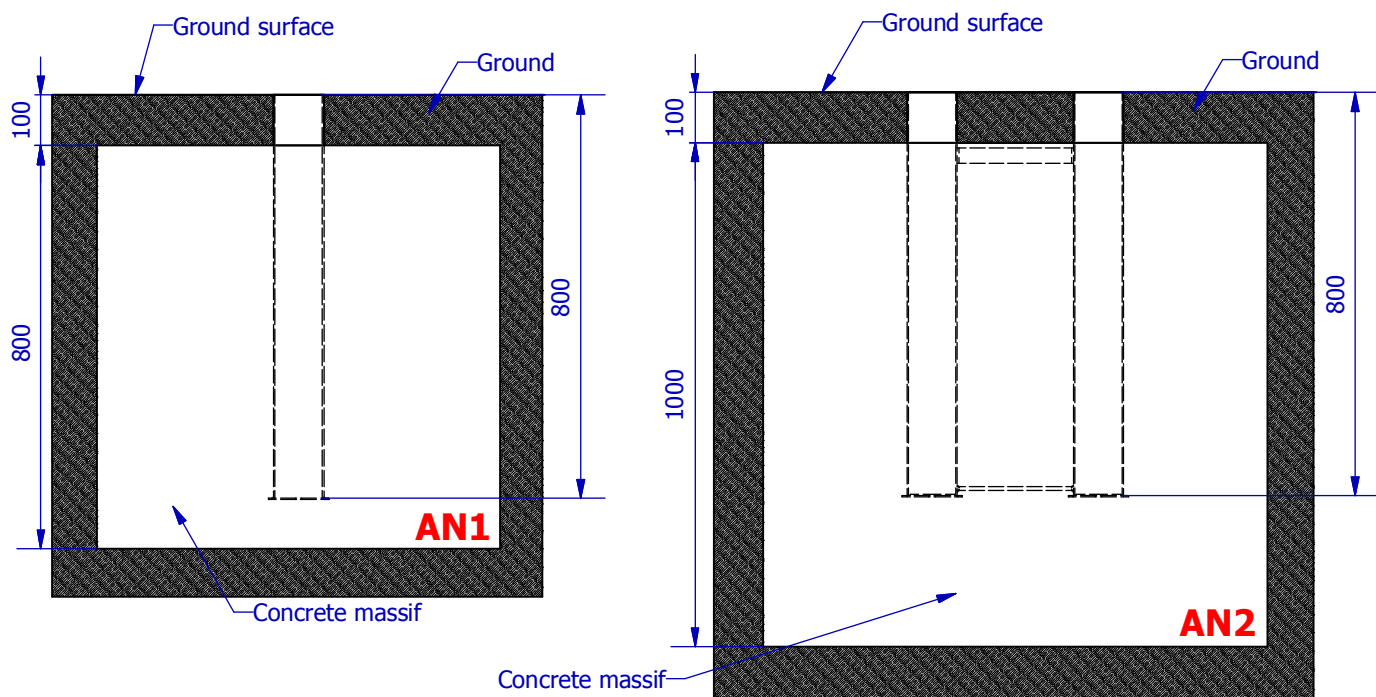


Hammer cage with articulated posts

6 concrete massifs at 350 kg/m³, dimensions 800 x 800 mm x 800 mm.

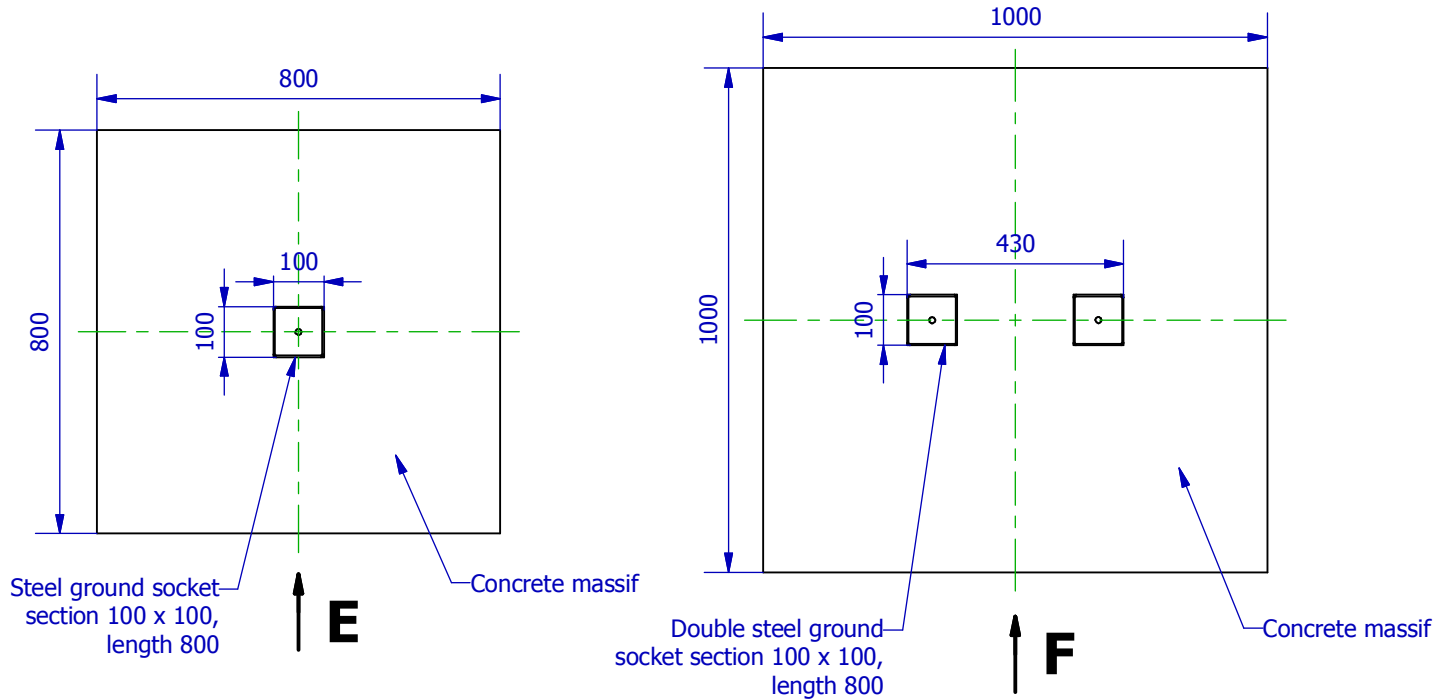
4 concrete massifs at 350 kg/m³, dimensions 1000 x 1000 mm x 1000 mm.

Drying is about 21 to 28 days depending on the weather, before installation.

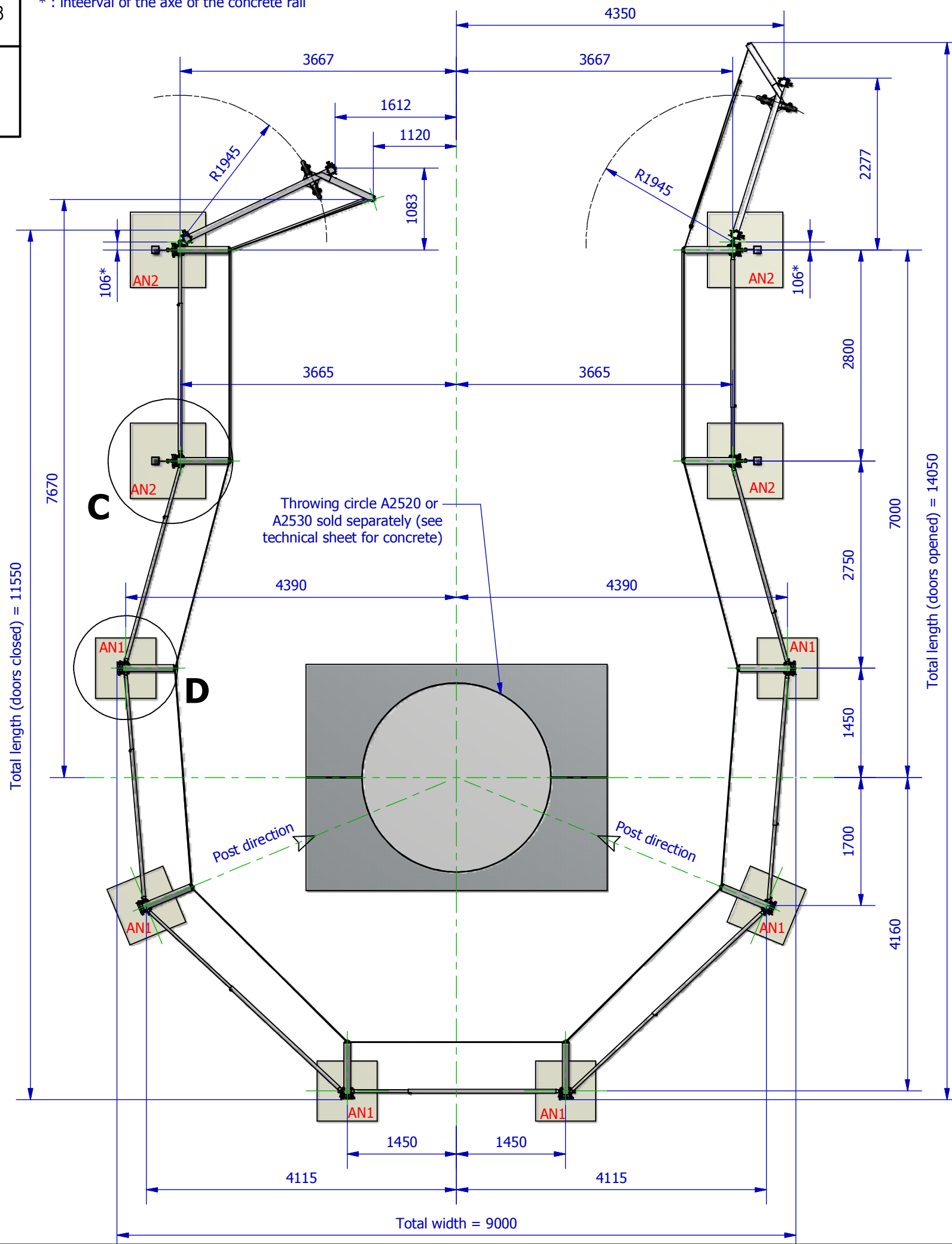


D (1:15)

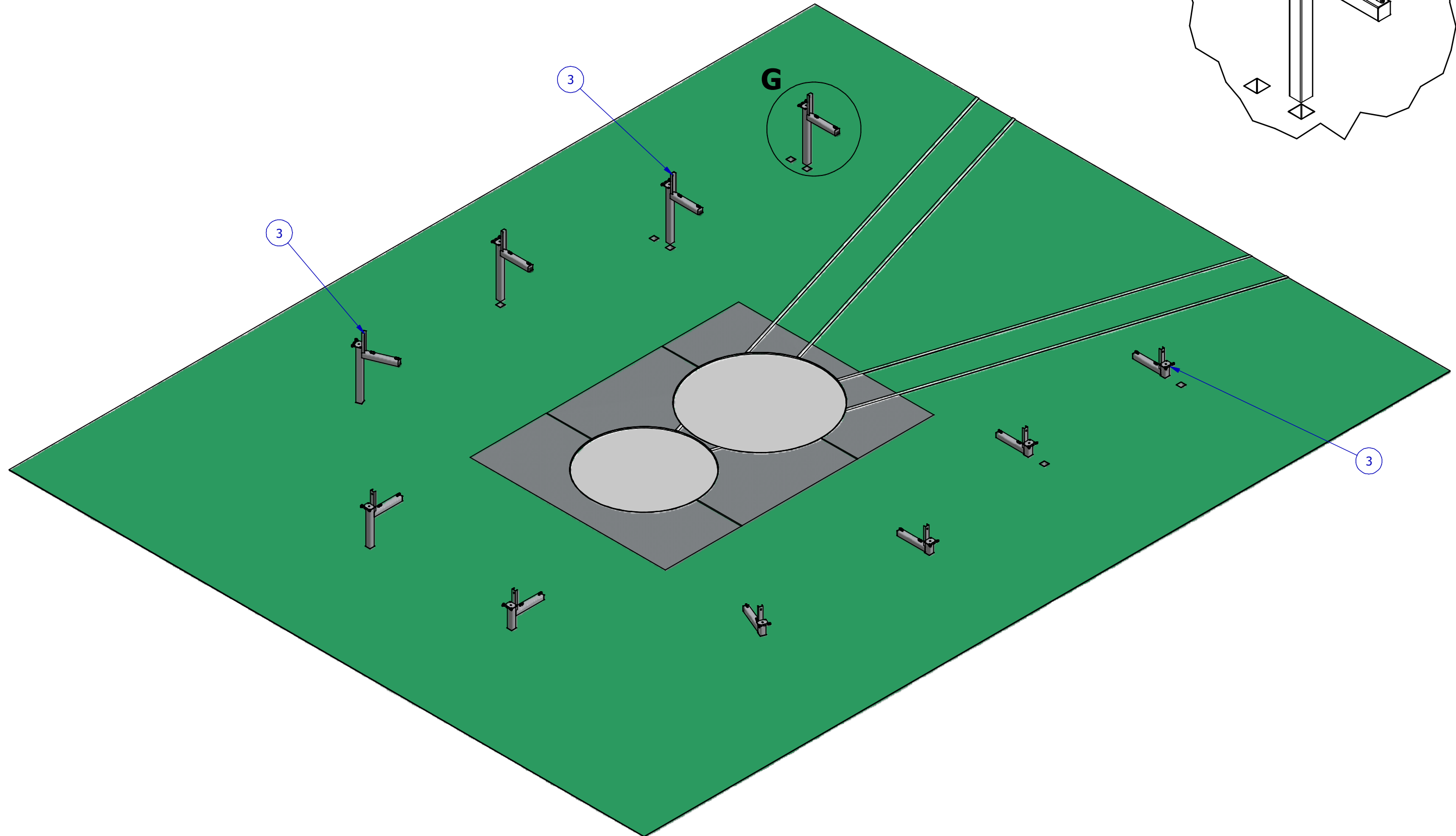
C (1:15)



* : interval of the axe of the concrete rail



3 : Installation of the articulated bases



3

3

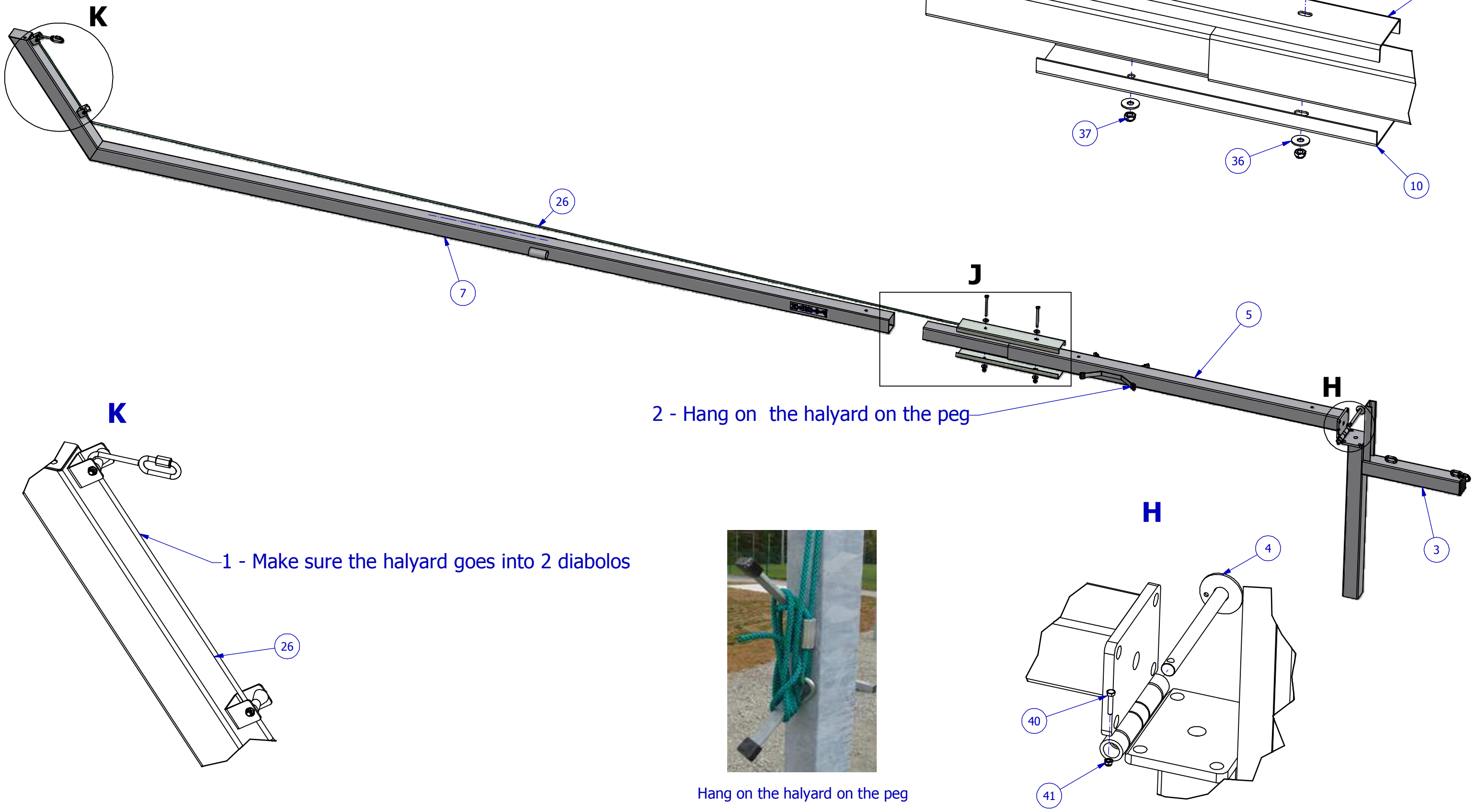
3

G

G

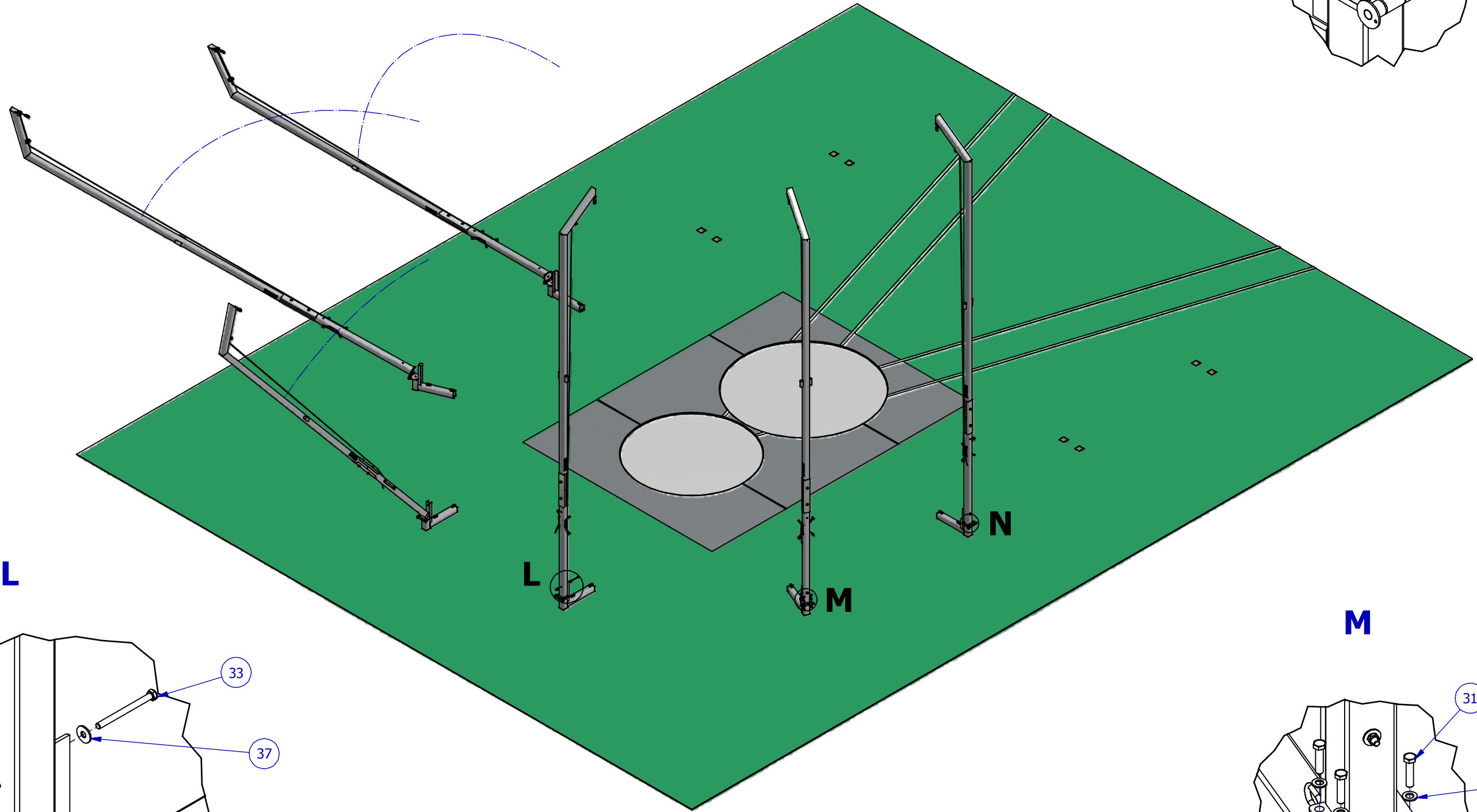
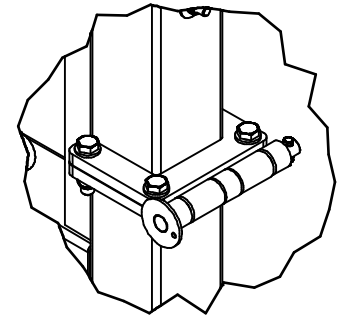
3

4 : Assembling of the articulated 7m00 posts



5 : Installation of the articulated 7m00 posts

N



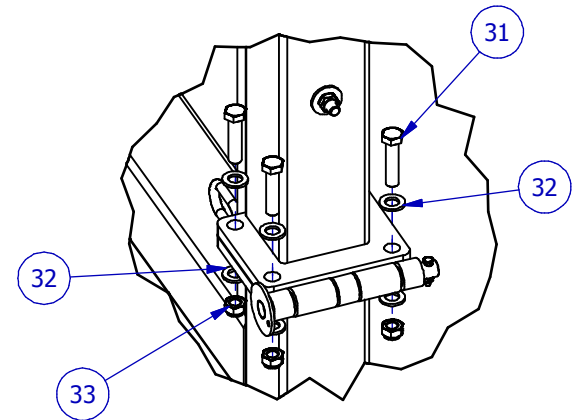
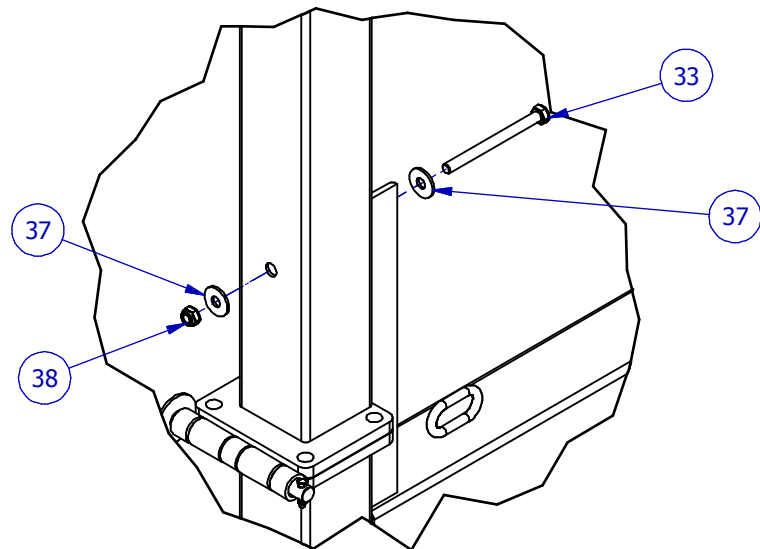
L

L

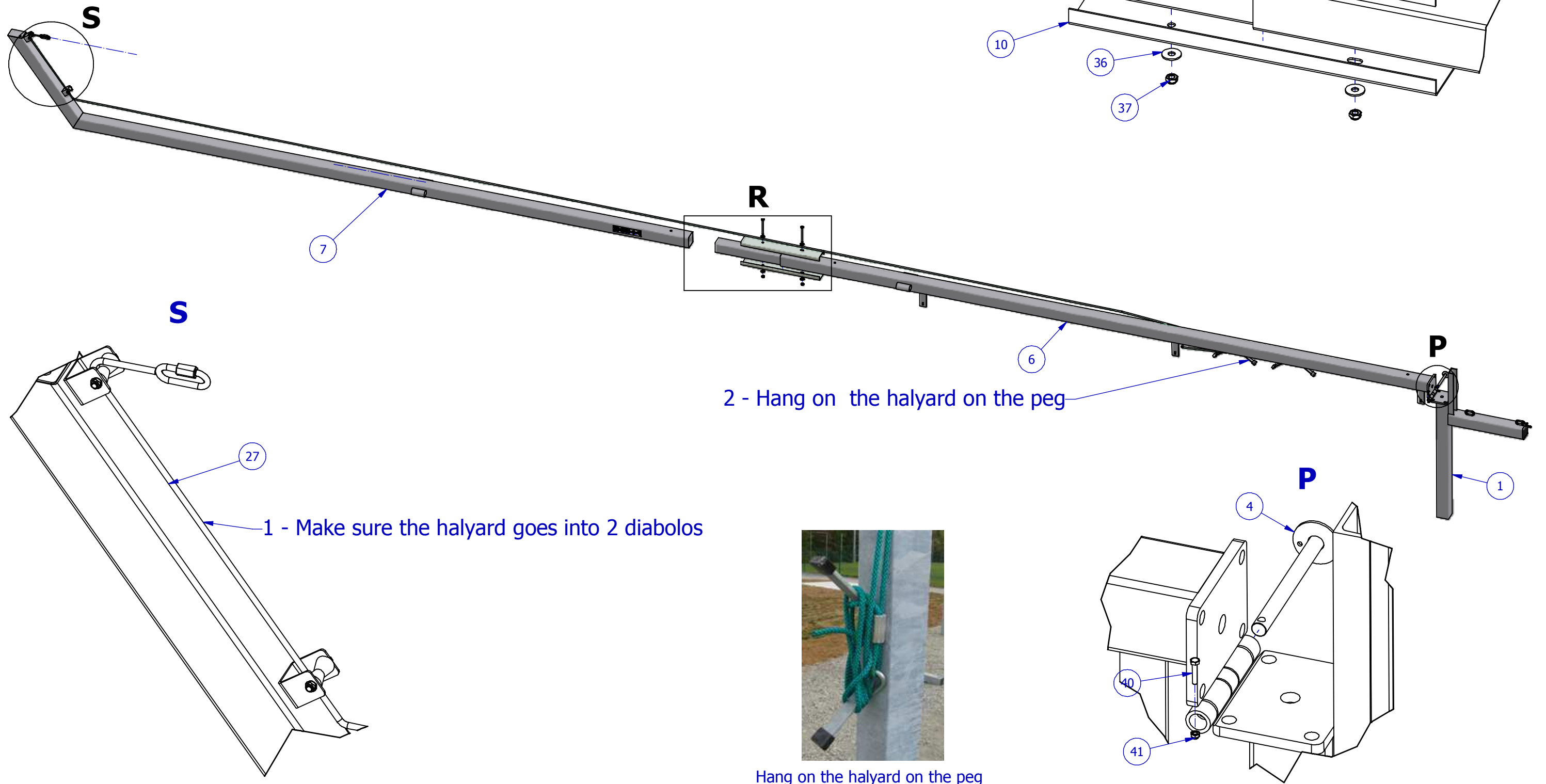
M

N

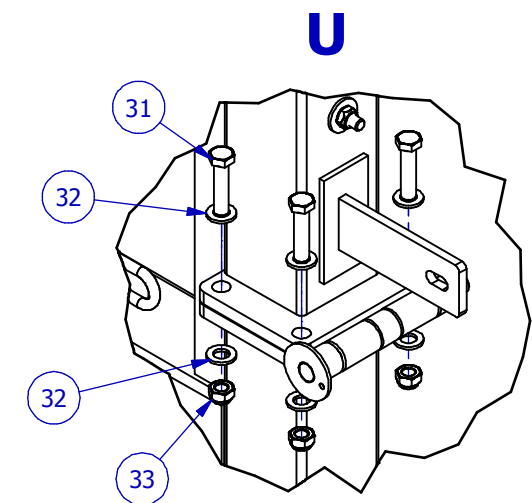
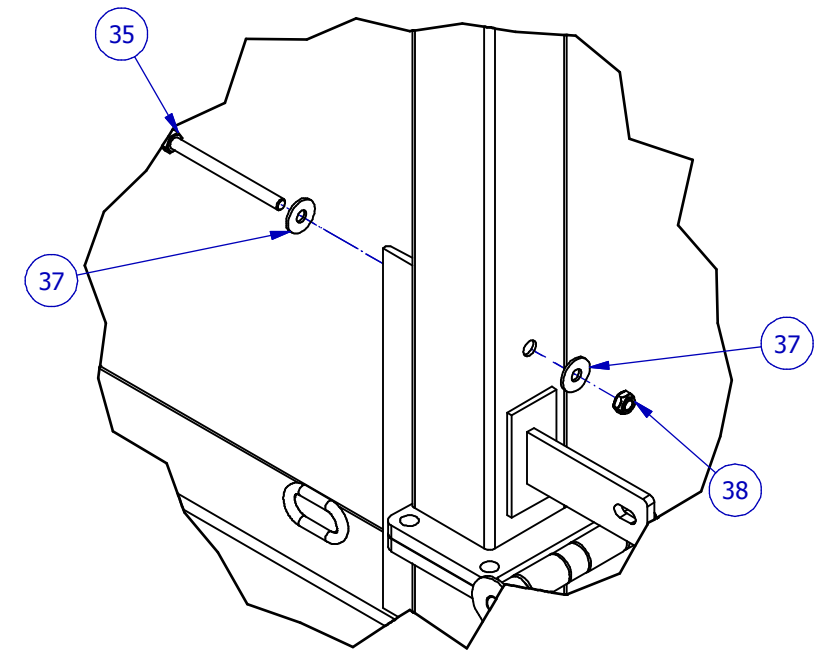
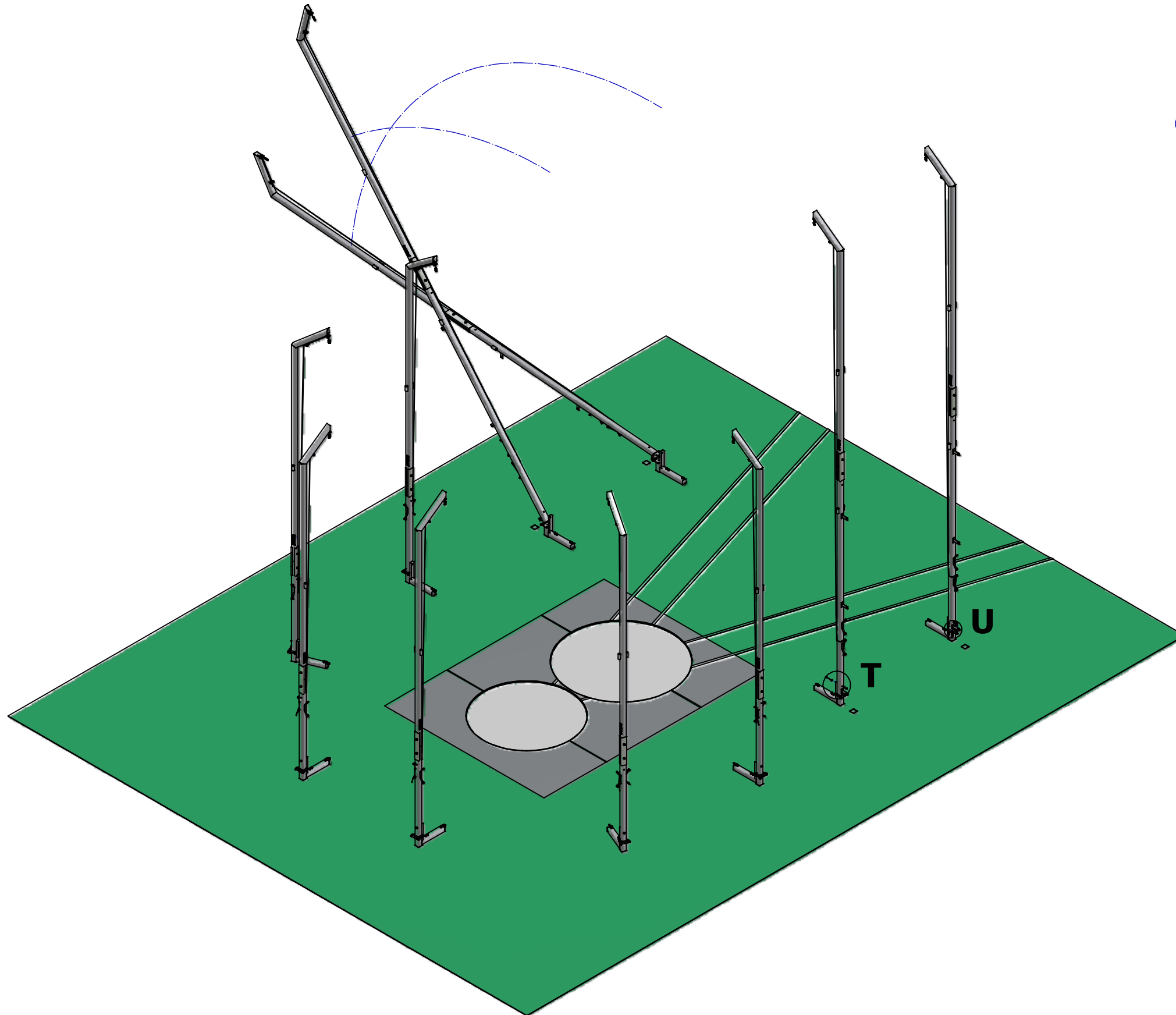
M



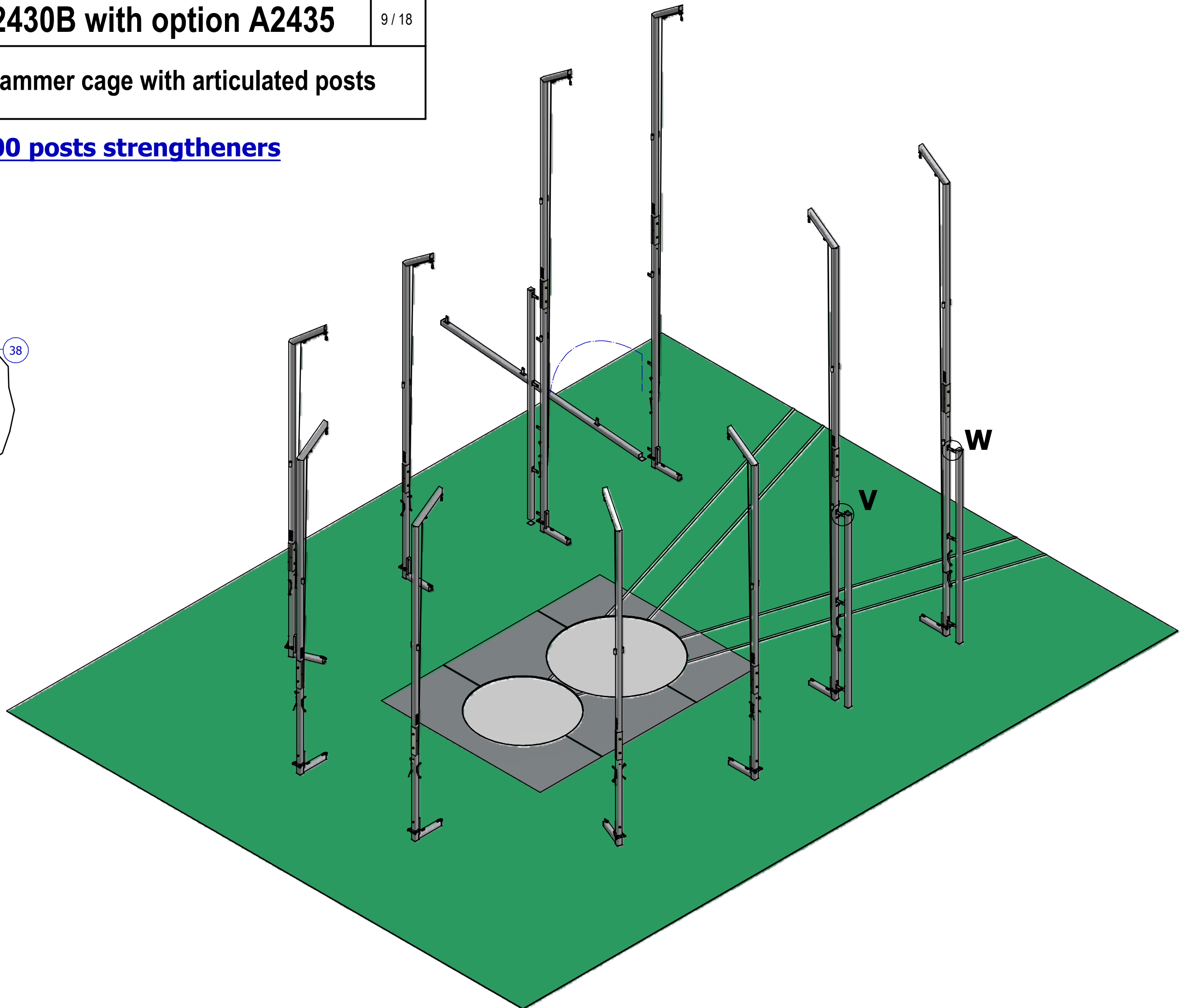
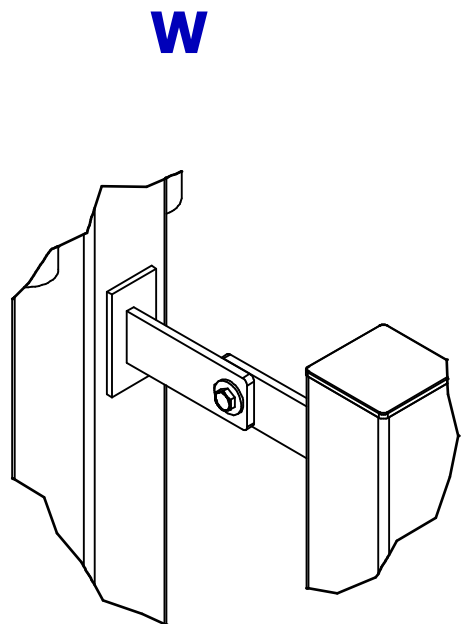
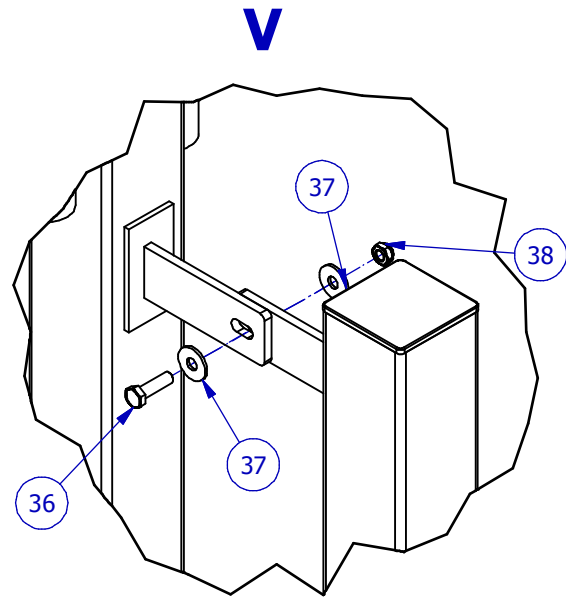
6 : Assembling of the articulated 10m00 posts



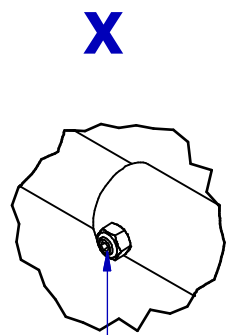
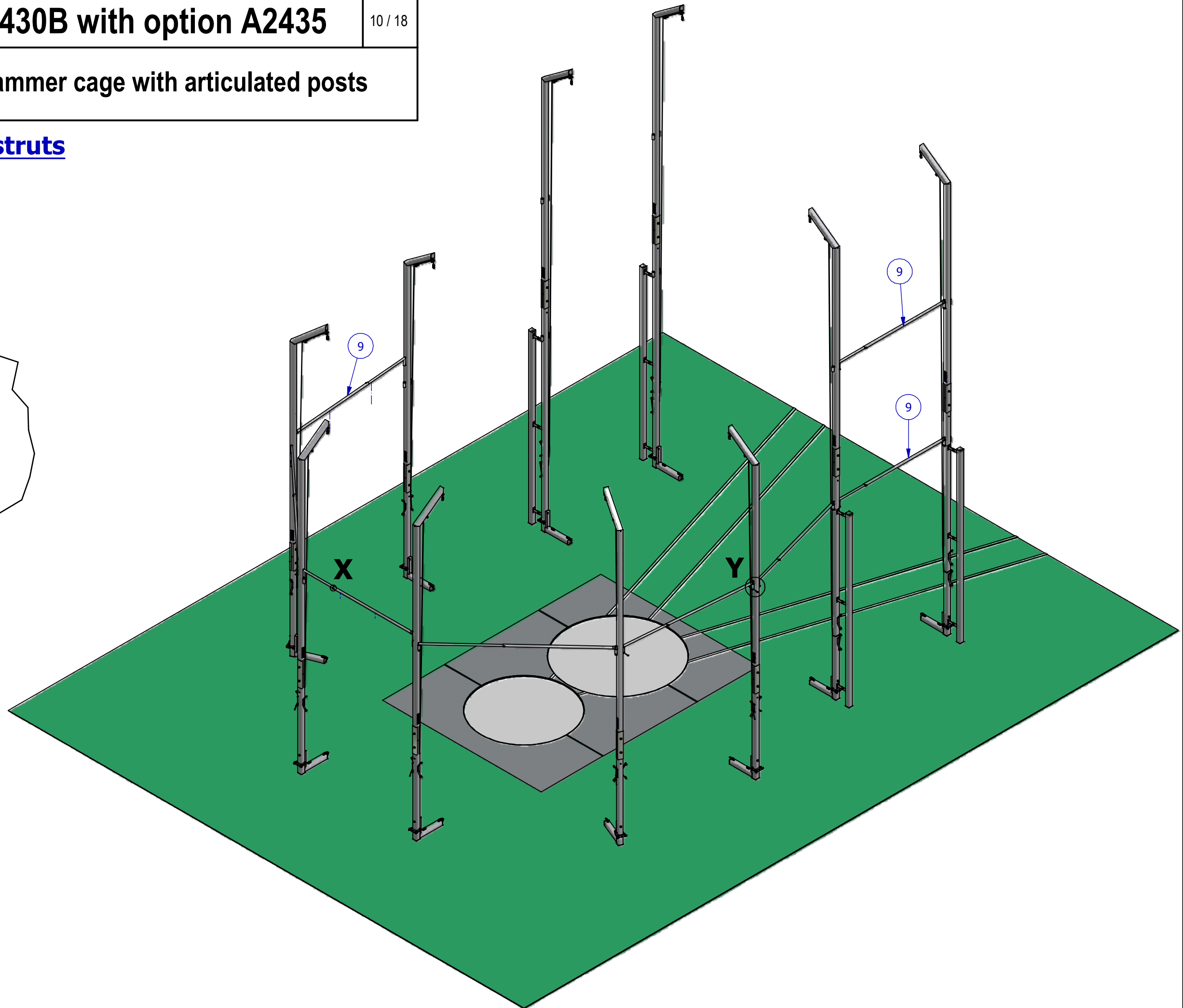
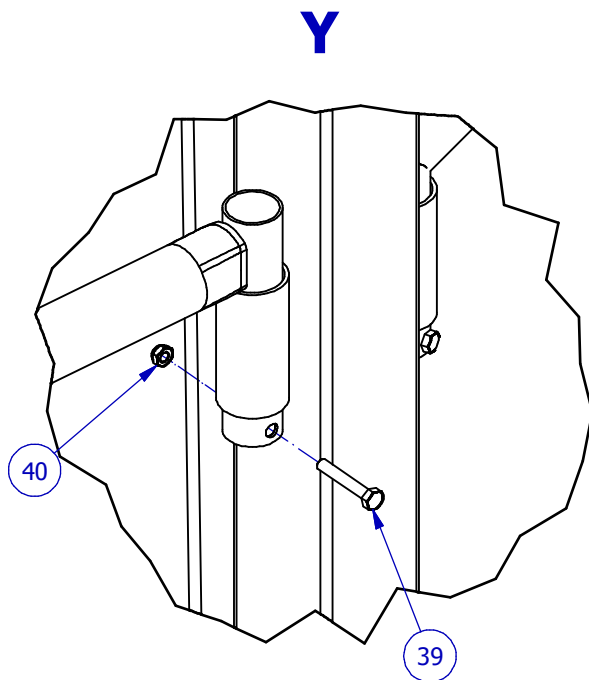
7 : Installation of the articulated 10m00 posts



8 : Installation of 10m00 posts strengtheners

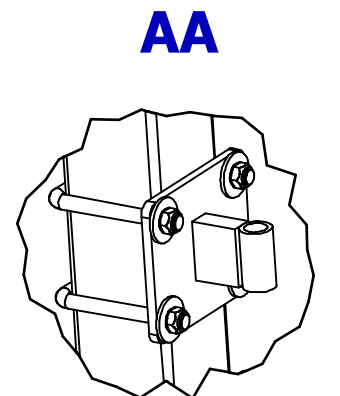
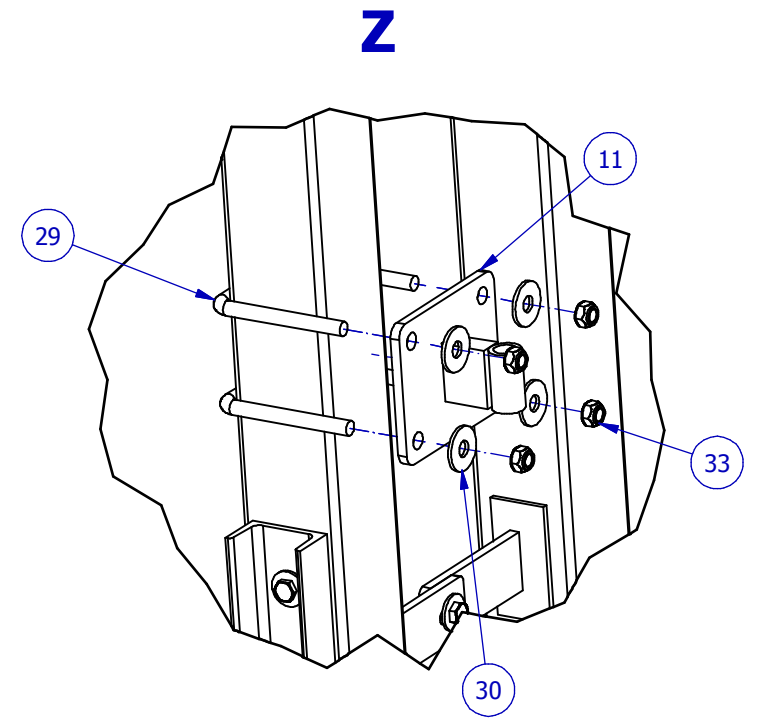
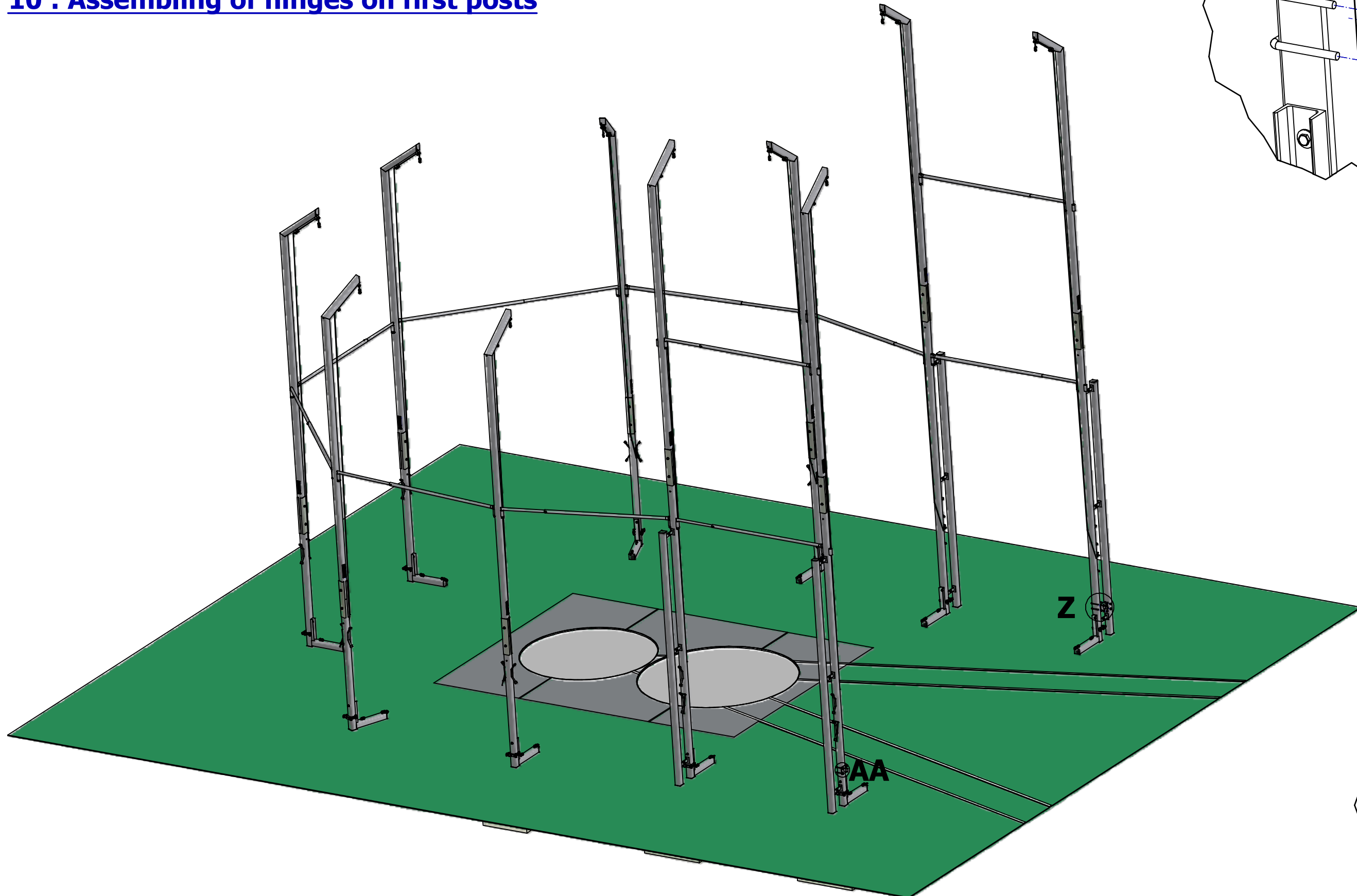


9 : Assembling of croo-struts

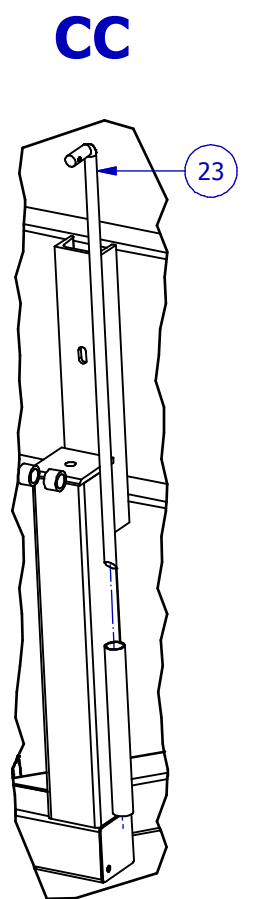
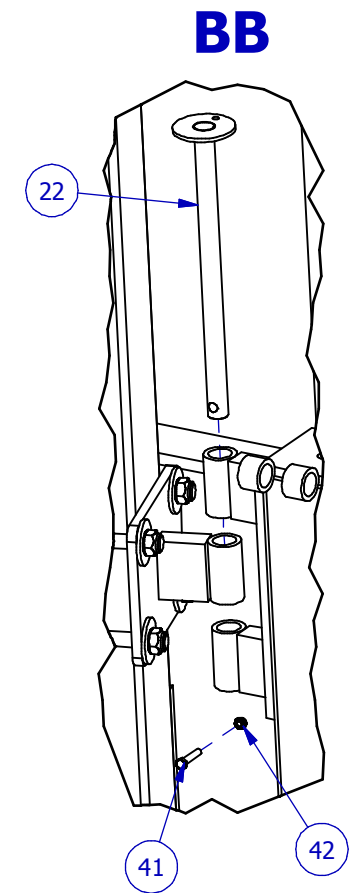
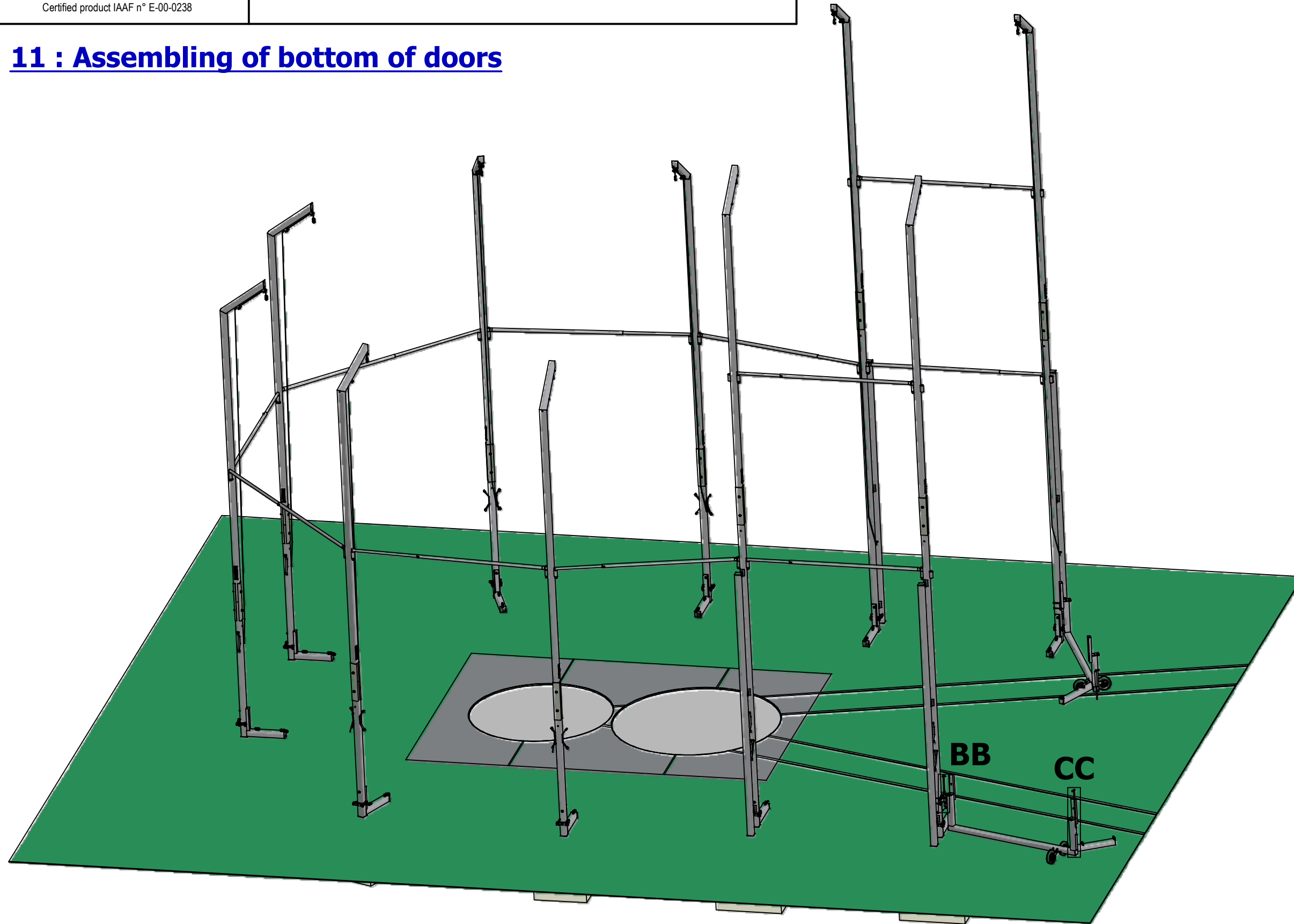


Make sure screwing is done
(outer side of the cage)
after cross-struts are installed

10 : Assembling of hinges on first posts

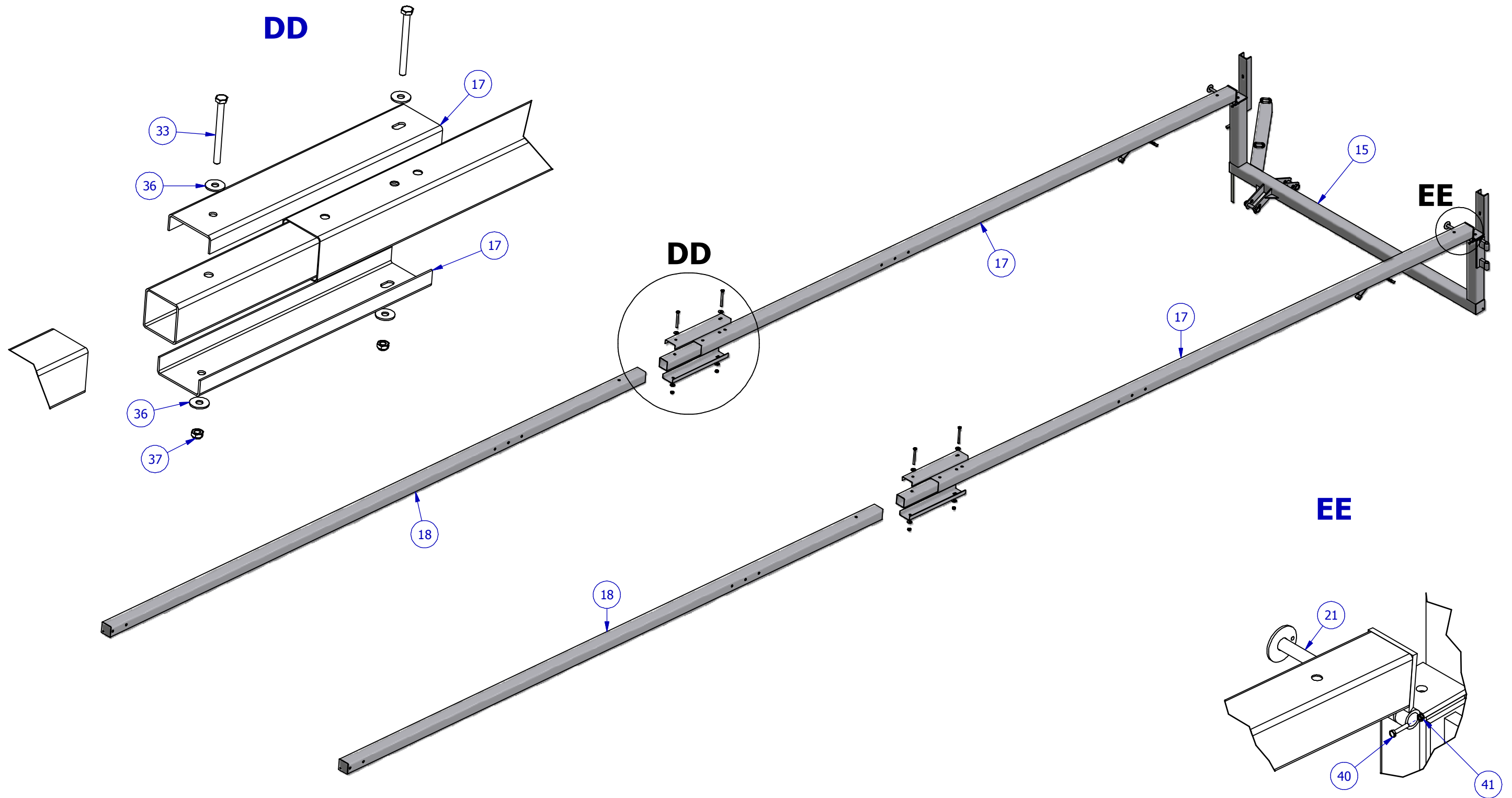


11 : Assembling of bottom of doors

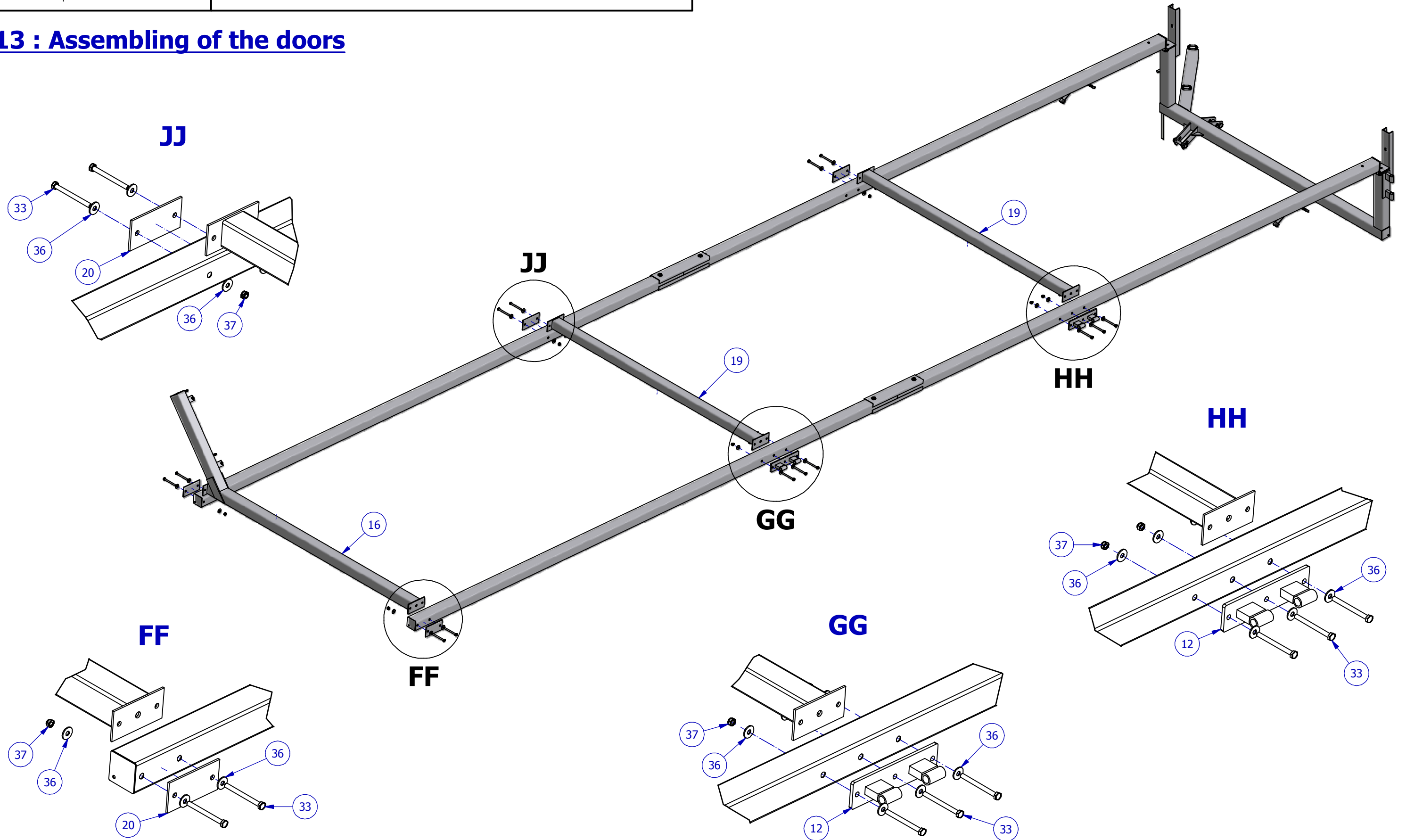


Assemble and place the bottom of doors and then adjust height with a level.

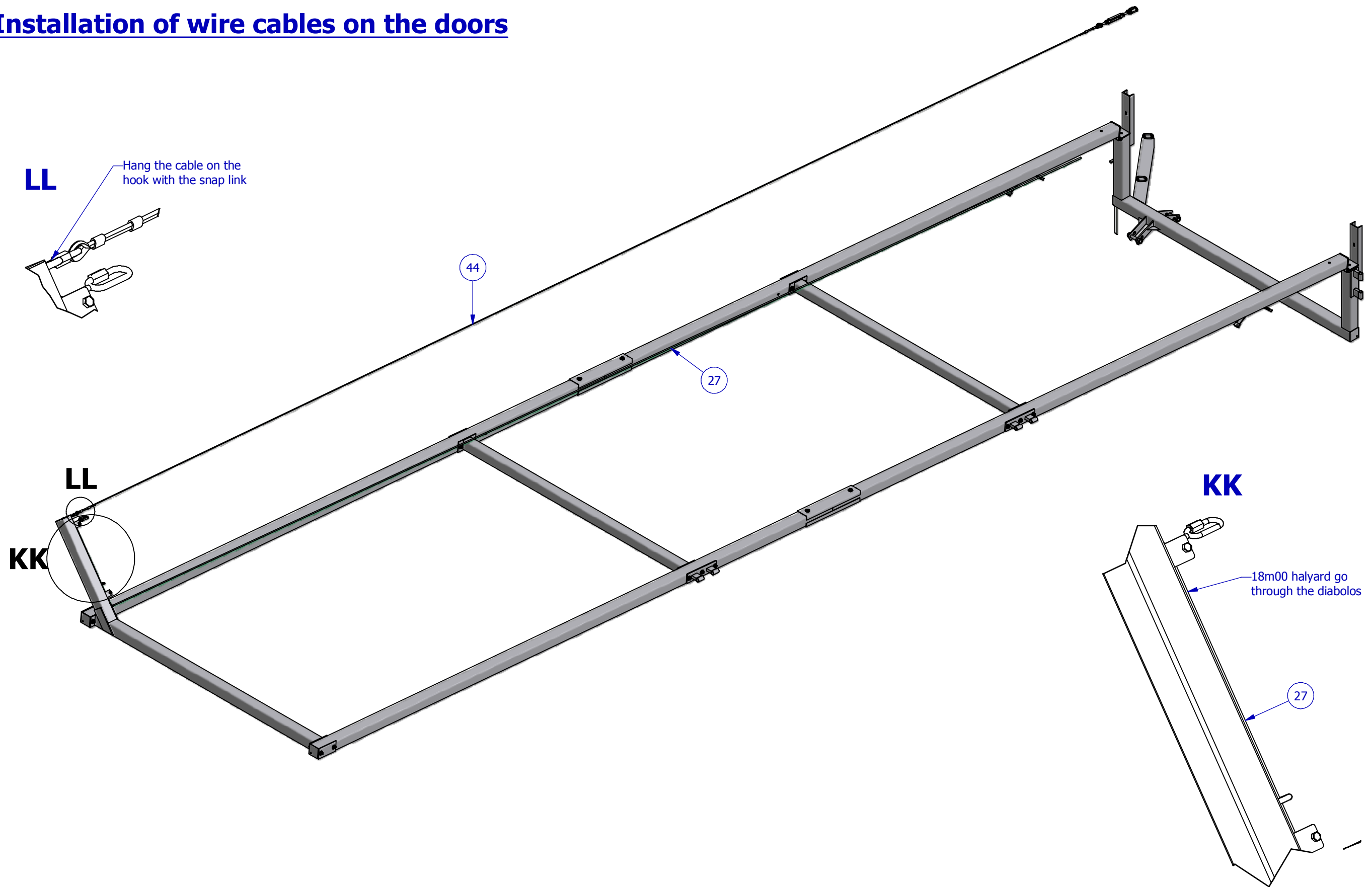
12 : Assembling of the doors



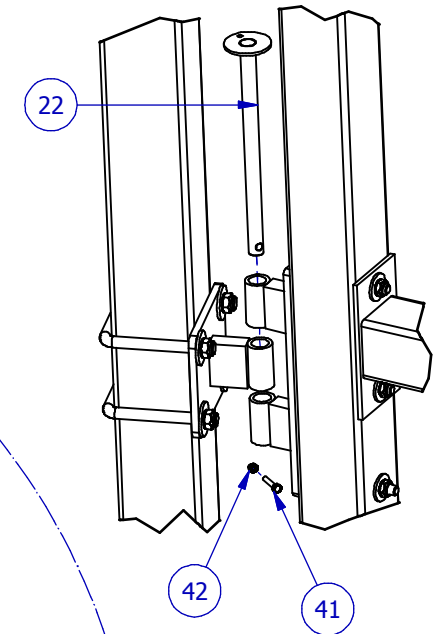
13 : Assembling of the doors



14 : Installation of wire cables on the doors

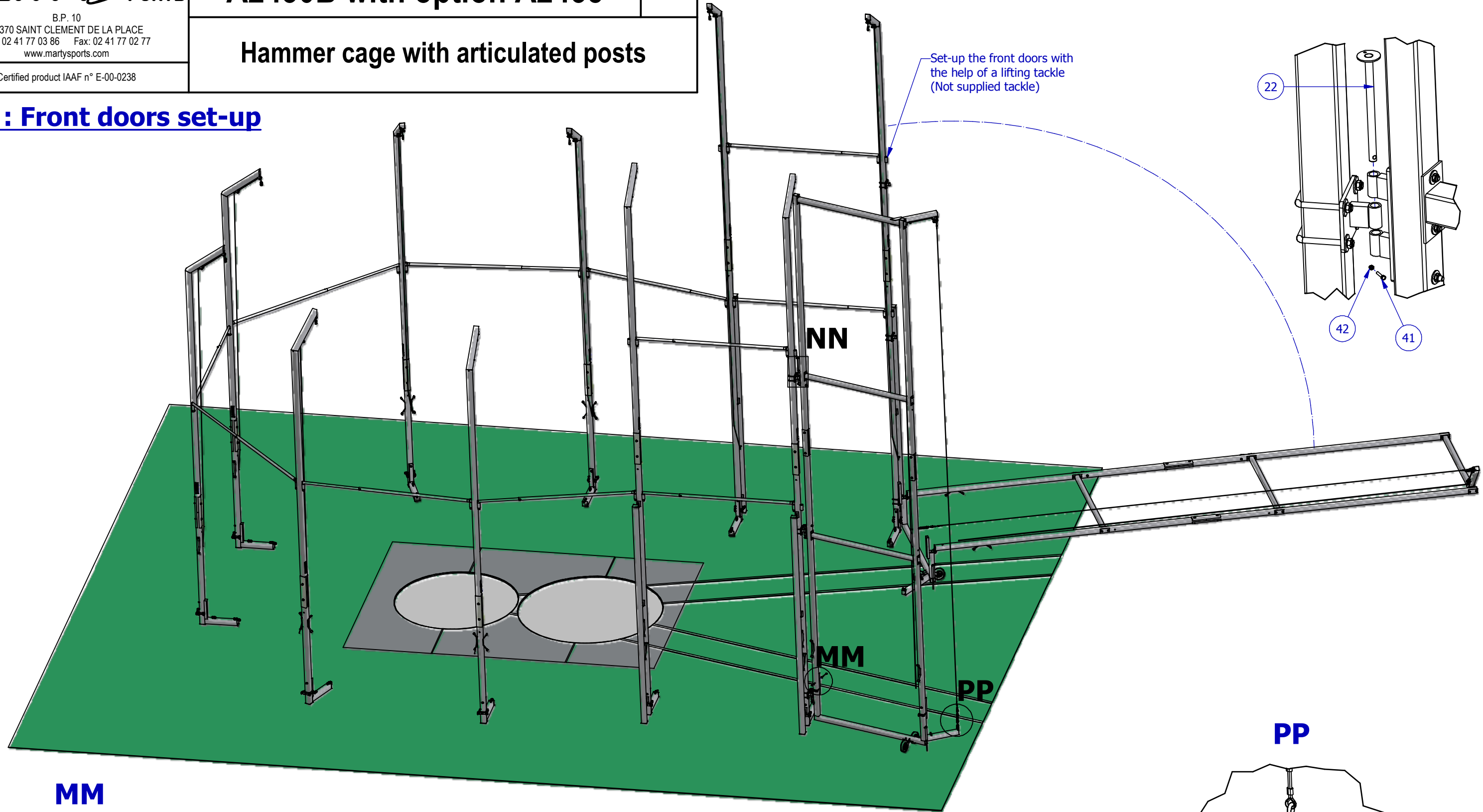


NN

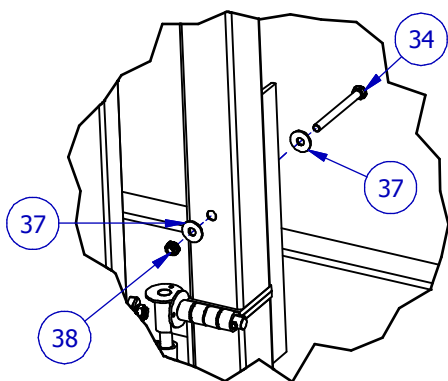


Set-up the front doors with the help of a lifting tackle (Not supplied tackle)

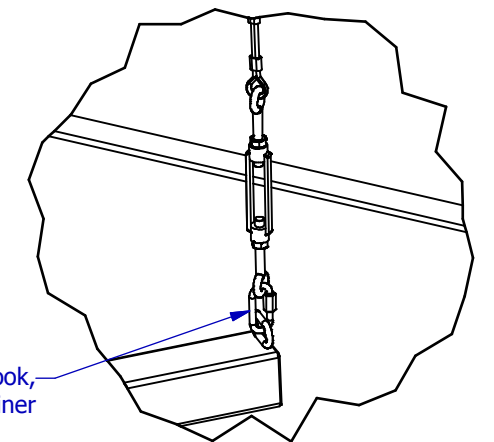
15 : Front doors set-up



MM



PP



Hang the cable to the hook, then tighten with wire-strainer

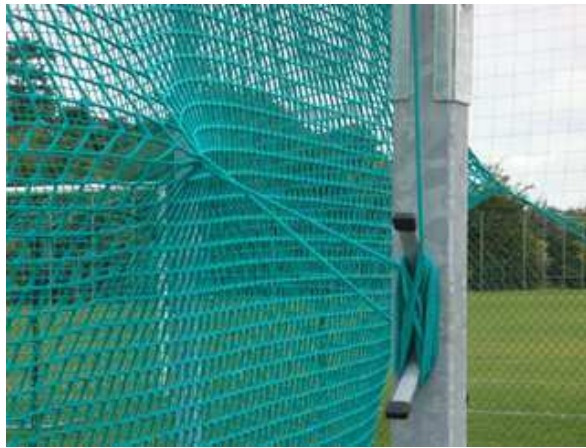
Knit steel rods on the top of the front nets in order to have the correct 10m00 height once net is up.



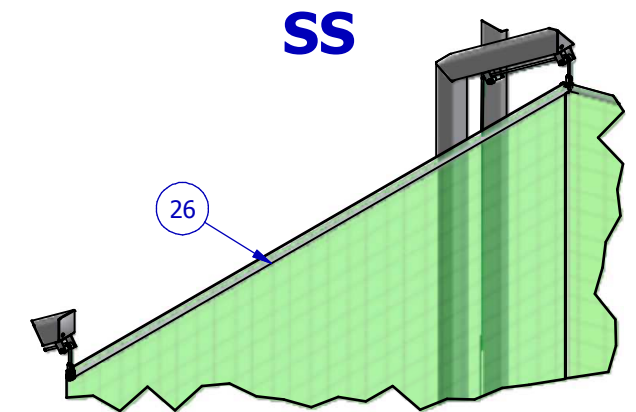
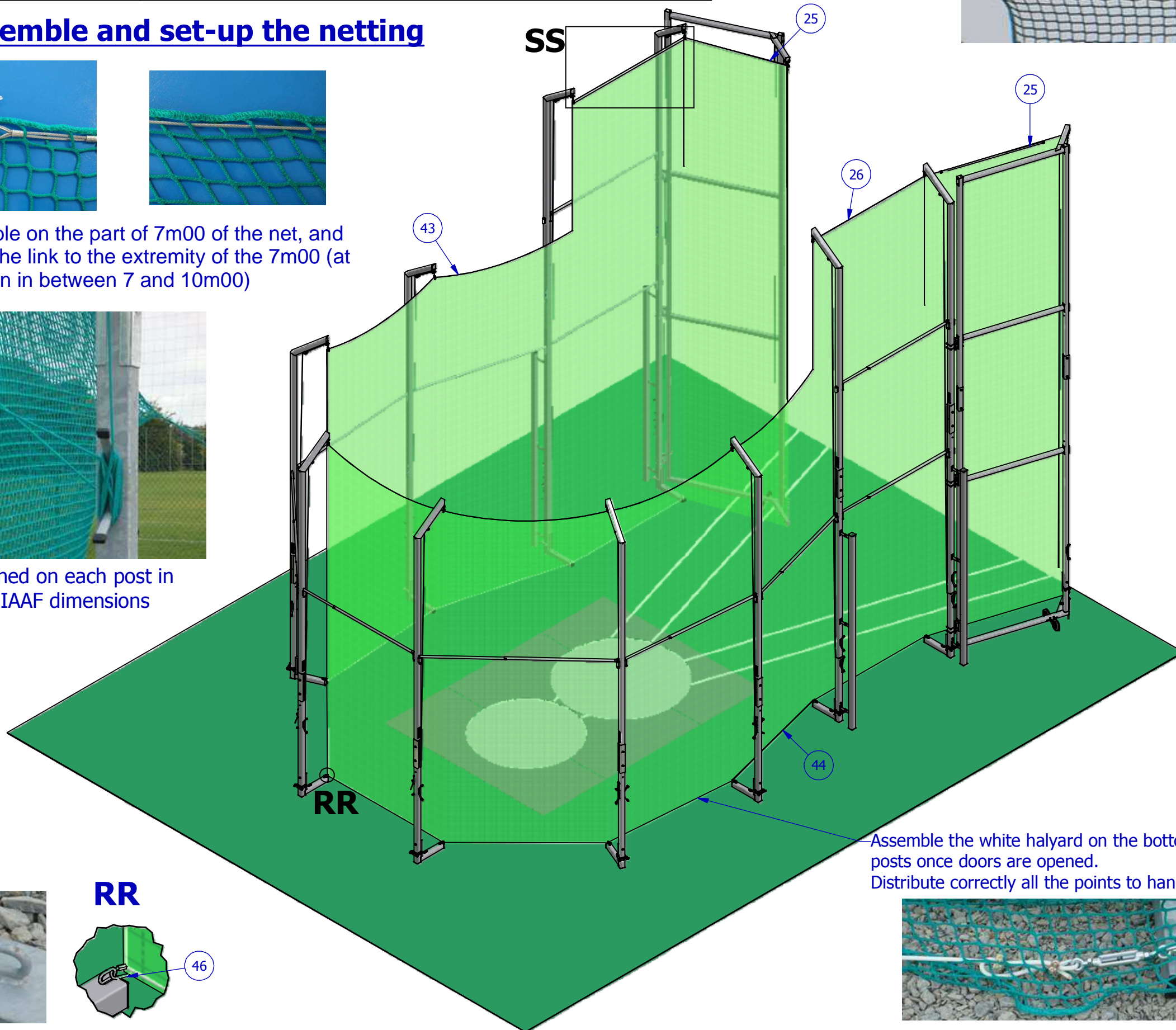
16 : Assemble and set-up the netting



Twist the cable on the part of 7m00 of the net, and hang it with the link to the extremity of the 7m00 (at the connexion in between 7 and 10m00)



Net is maintained on each post in order to have IAAF dimensions required.



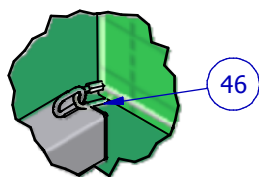
Place on hook to fix the net on the front doors cables.



Assemble the white halyard on the bottom of posts once doors are opened. Distribute correctly all the points to hang the net.



RR



Hammer cage with articulated posts

Certified product IAAF N° E-00-0238

**CERTIFICATE**THE IAAF IS PLEASED TO CERTIFY HEREBY
THAT THE FOLLOWING PRODUCT

of the Company: Marty Sports
Title of Product: Throwing cage, Discus & Hammer
Colour / Thickness: -
Catalogue Number: A2430B
Certification N°: E-00-0238

HAS BEEN TESTED AND MEETS THE TECHNICAL REQUIREMENTS FOR
USE IN ALL INTERNATIONAL ATHLETIC COMPETITIONS.THIS CERTIFICATE IS ISSUED IN ACCORDANCE WITH THE TERMS AND
CONDITIONS OF THE IAAF CERTIFICATION SYSTEM OF TRACK AND
FIELD FACILITIES, IMPLEMENTS AND COMPETITION EQUIPMENT.

This certificate is valid from: 1 July 2008
until the last day of July 2012



PIERRE WEISS
IAAF General Secretary



JORGE SALCEDO
IAAF Technical Committee Chairman