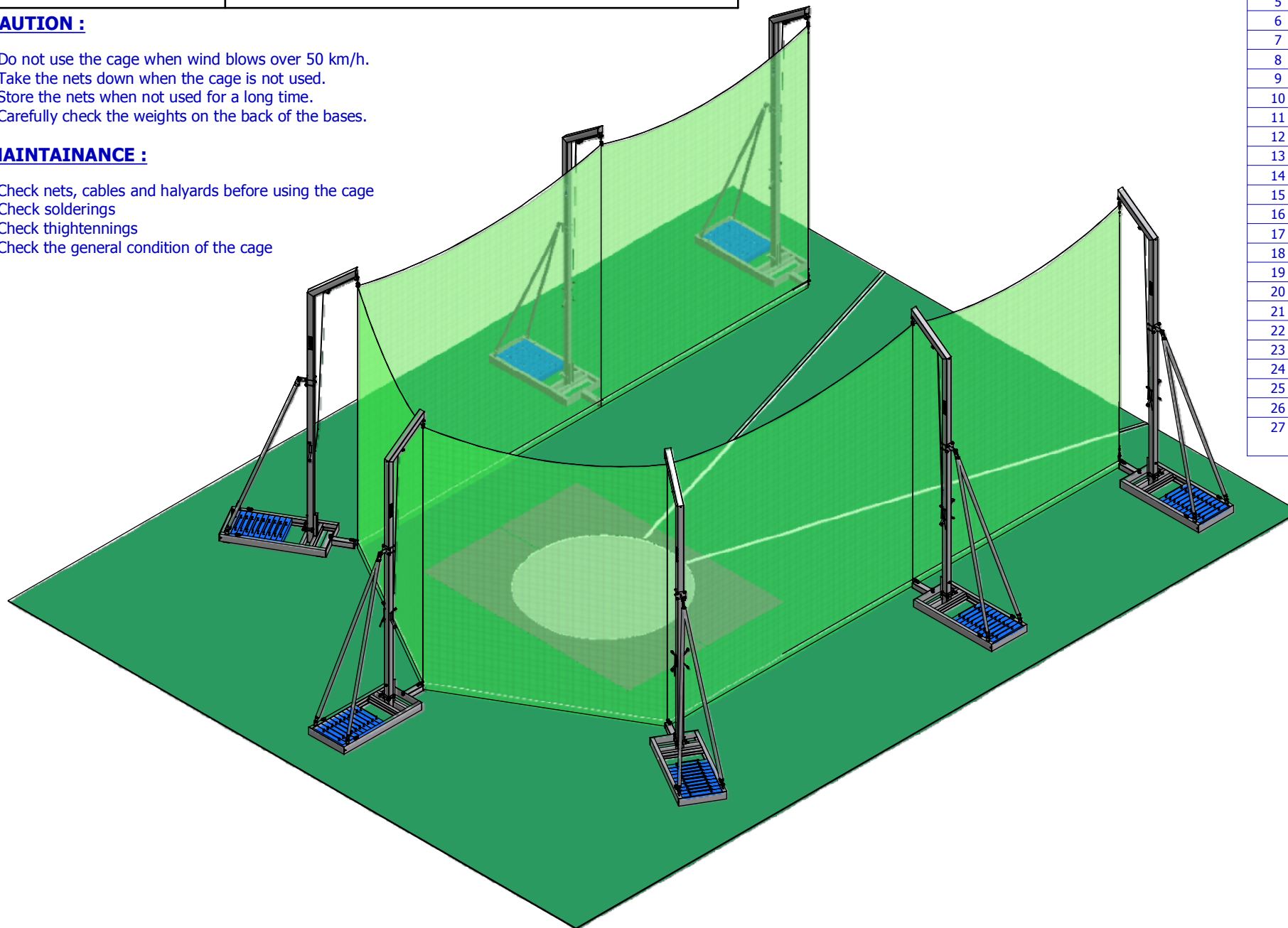


**Mobile discus cage**
**CAUTION :**

- Do not use the cage when wind blows over 50 km/h.
- Take the nets down when the cage is not used.
- Store the nets when not used for a long time.
- Carefully check the weights on the back of the bases.

**MAINTAINANCE :**

- Check nets, cables and halyards before using the cage
- Check solderings
- Check thightennings
- Check the general condition of the cage

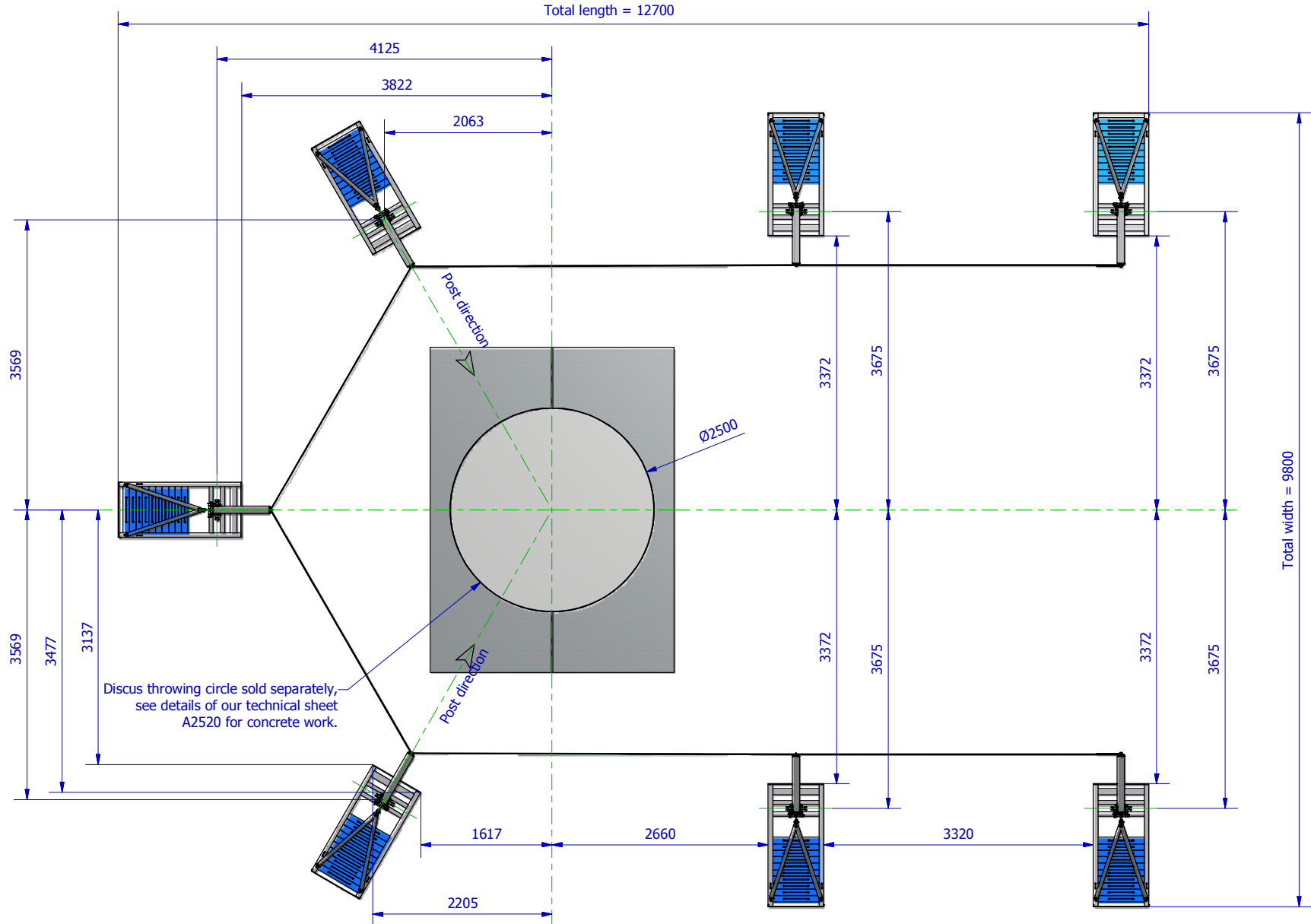


## Liste de pièces

ARTICLE	DESIGNATION	QTE
1	Mobile base	7
2	Truss for mobile base	7
3	Articulation axe for posts	7
4	Weight for base	70
5	Articulated post	7
6	Tie-bar fixing on post	7
7	Tie-bar	14
8	Net	1
9	White halyard	1
10	Green halyard	7
11	Snap link Ø8	5
12	Stirrup C90	14
13	Screw M6x20	14
14	Washer Ø6 L	14
15	Screw nut M6	14
16	Screw TH M5 x 25	7
17	Screw nut M5	7
18	Screw TH M12 x 50	28
19	Washer Ø12 L	28
20	Washer Ø12 Z	56
21	Screw nut M12	56
22	Screw TH M10 x 40	21
23	Screw TH 10 x 110	7
24	Washer Ø10 L	56
25	Screw nut M10	28
26	Wire cable	2
27	Wire cable of preservation of the net (length 24,7m)	1

**Mobile discus cage**

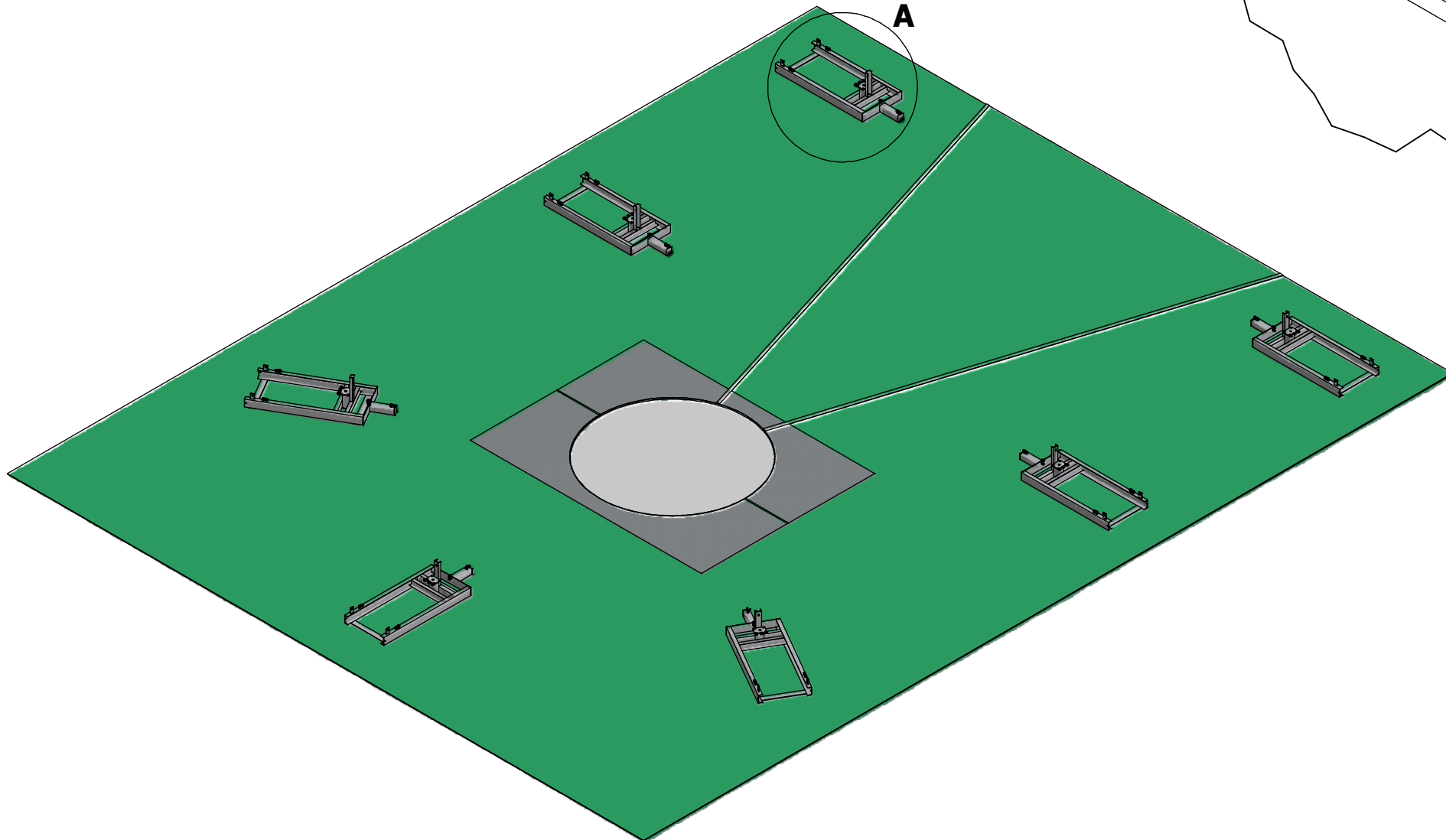
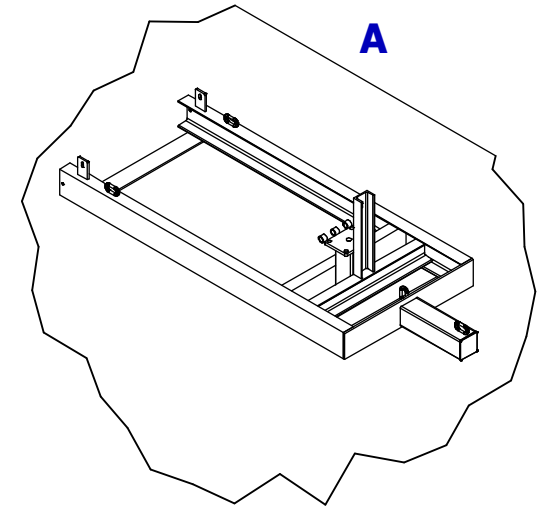
**1 : Installation of bases**



**Mobile discus cage**

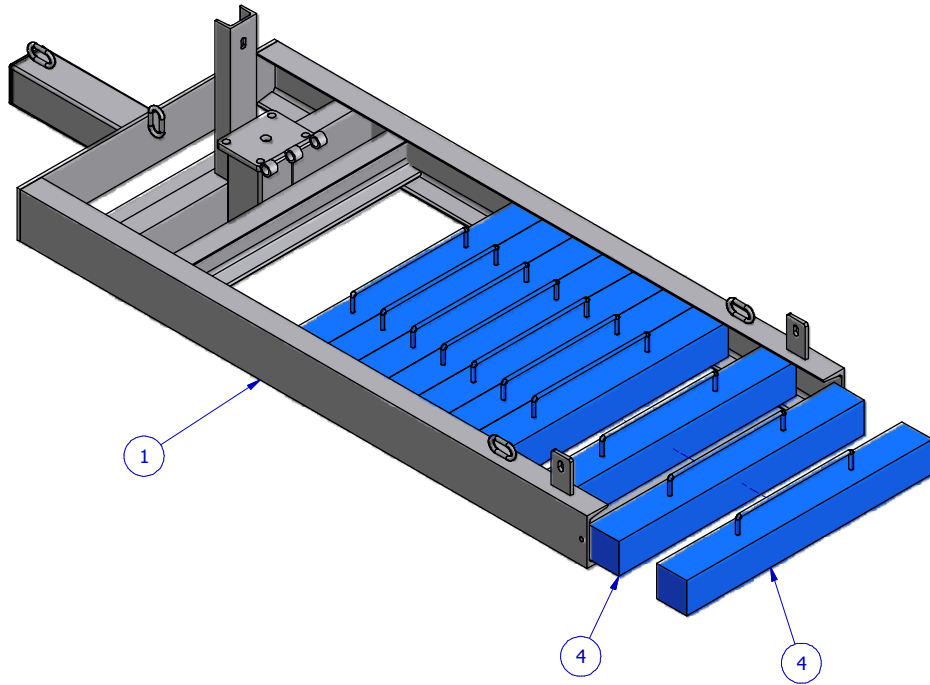
Certified product IAAF N° E-00-0233

**2 : Installation of bases**

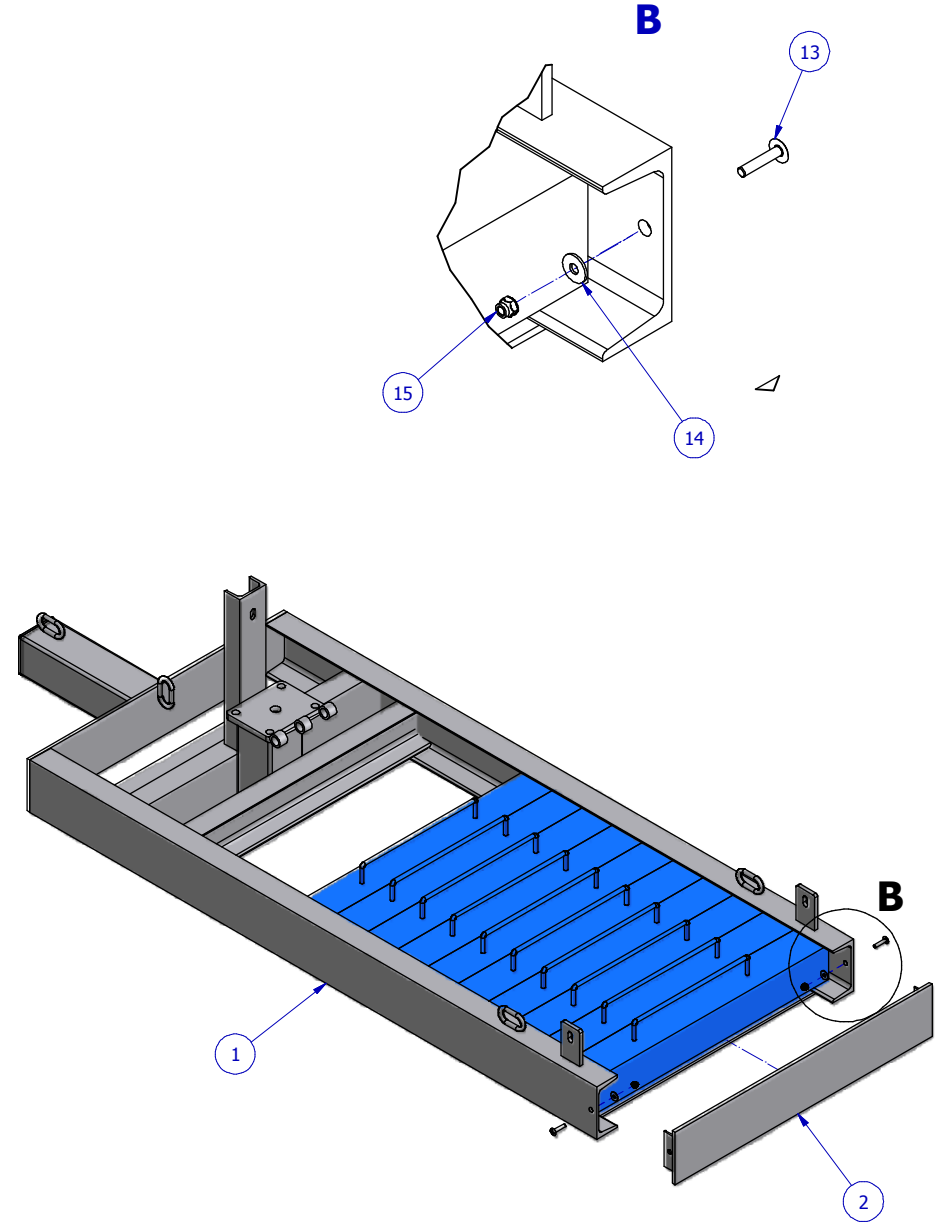


**Mobile discus cage**

**3 : Installation of the weights**

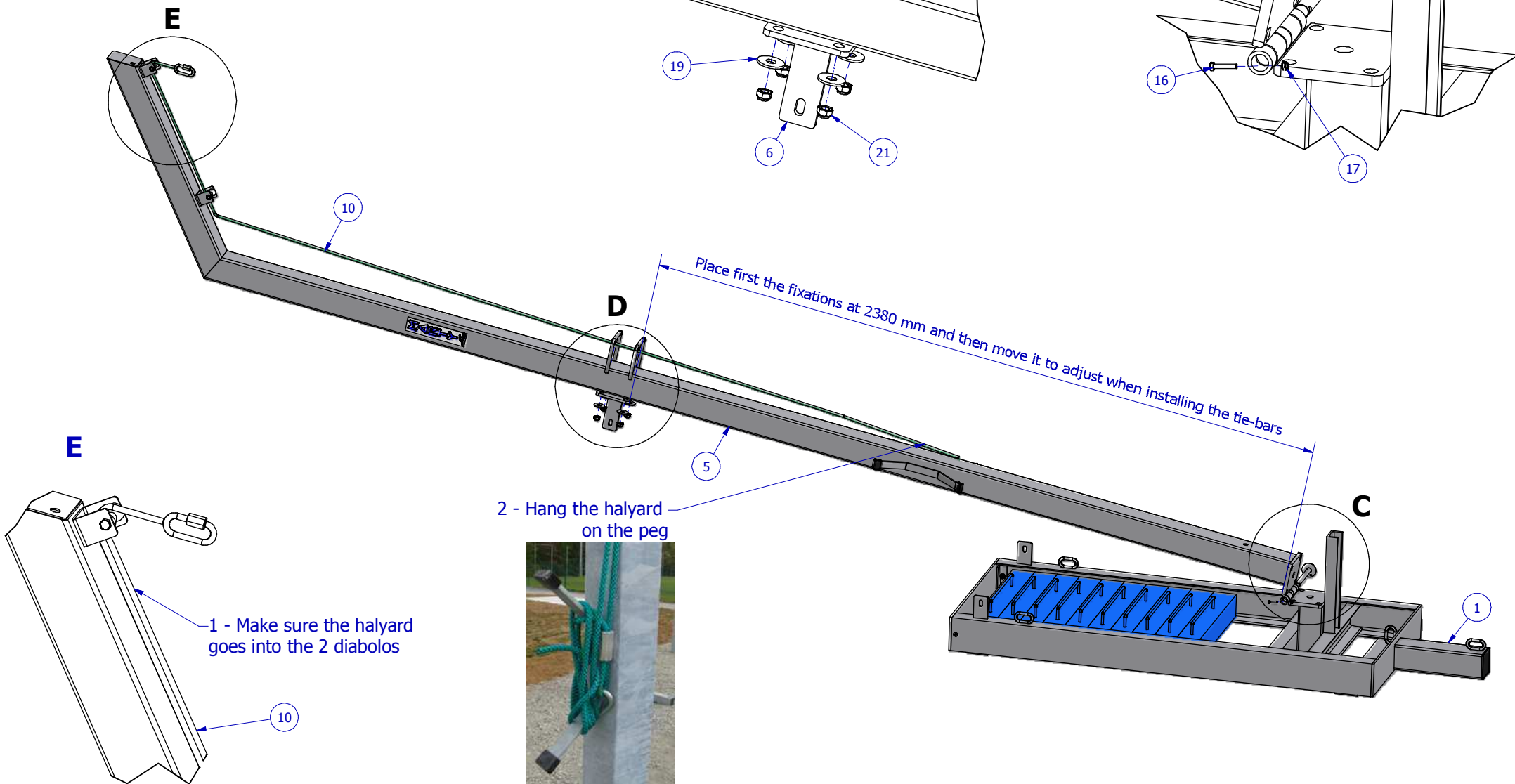


**4 : closure of the base**

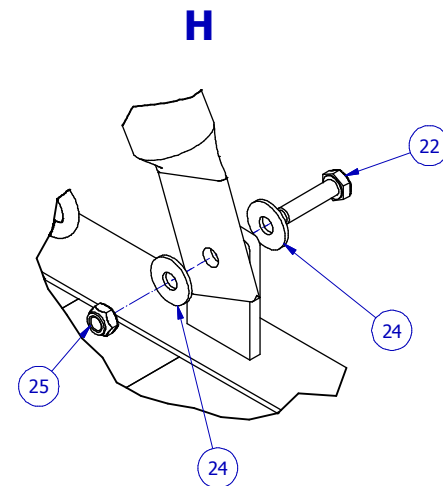
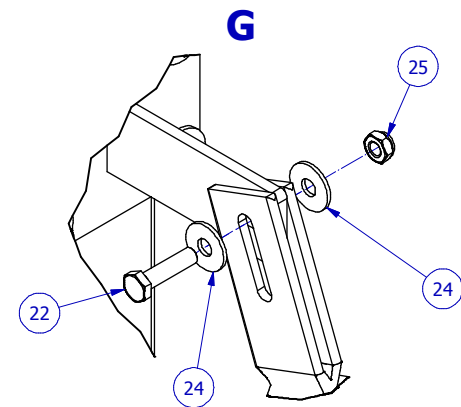
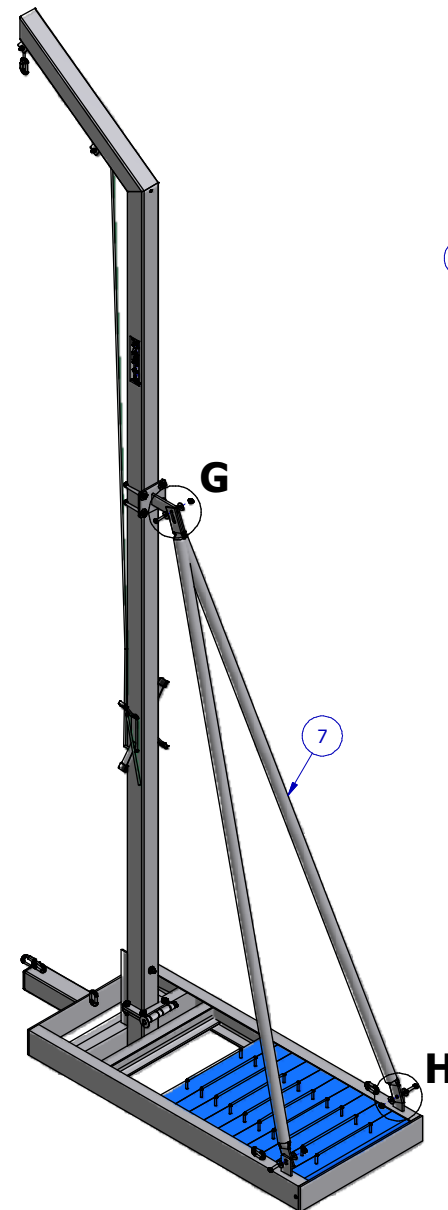
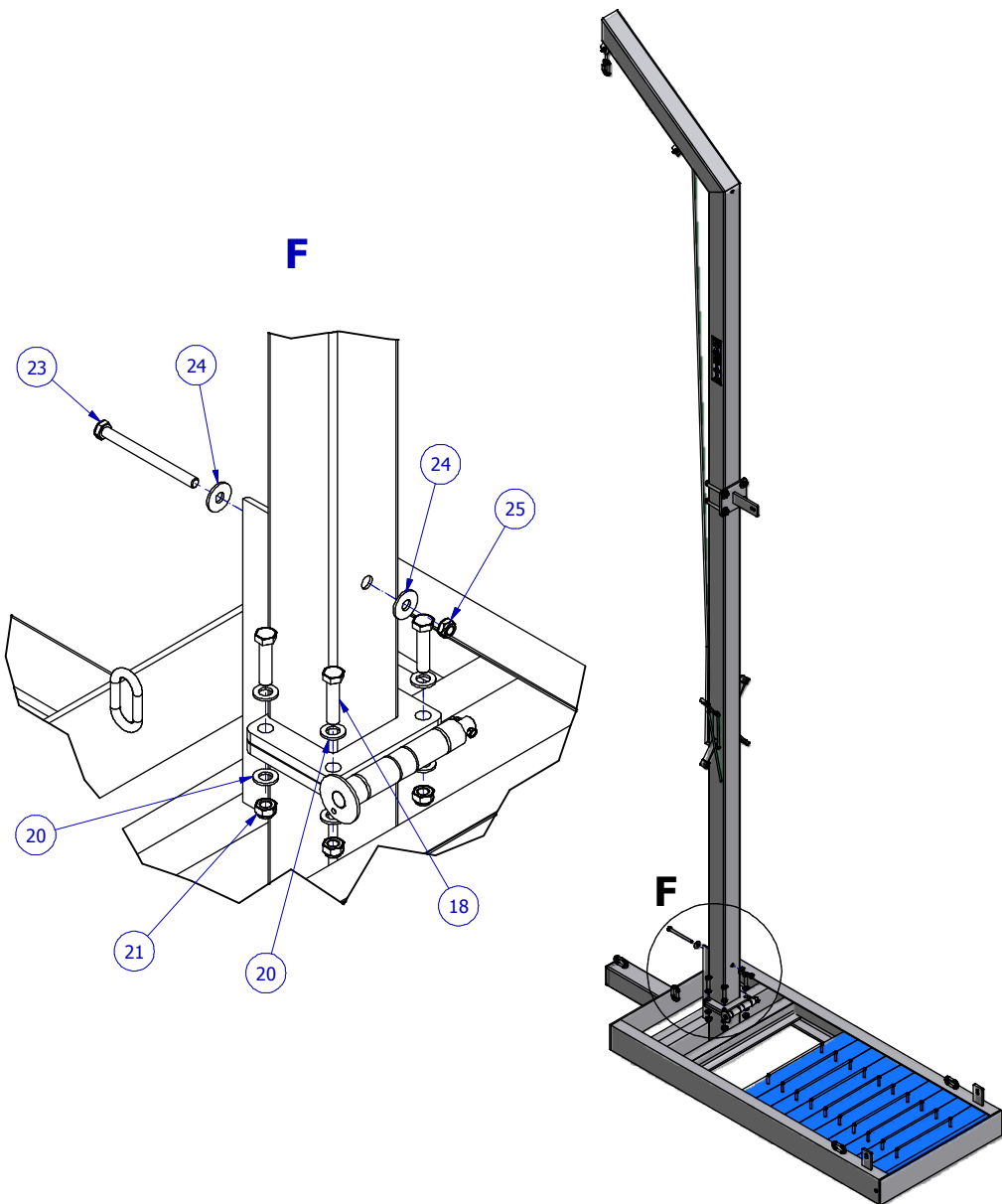


**Mobile discus cage**

**5 : Assembling of post**



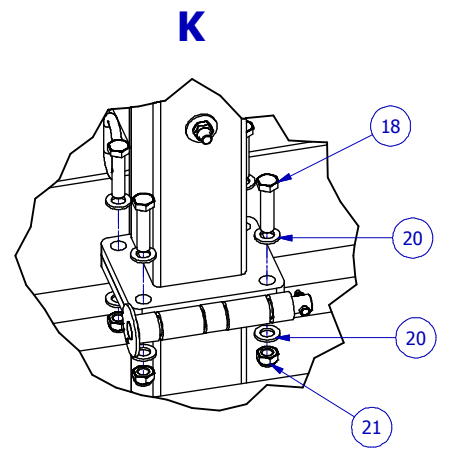
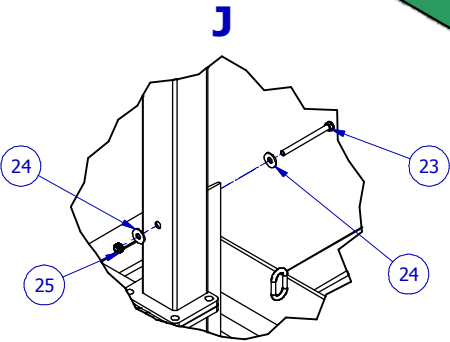
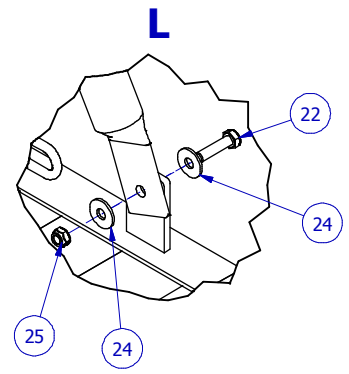
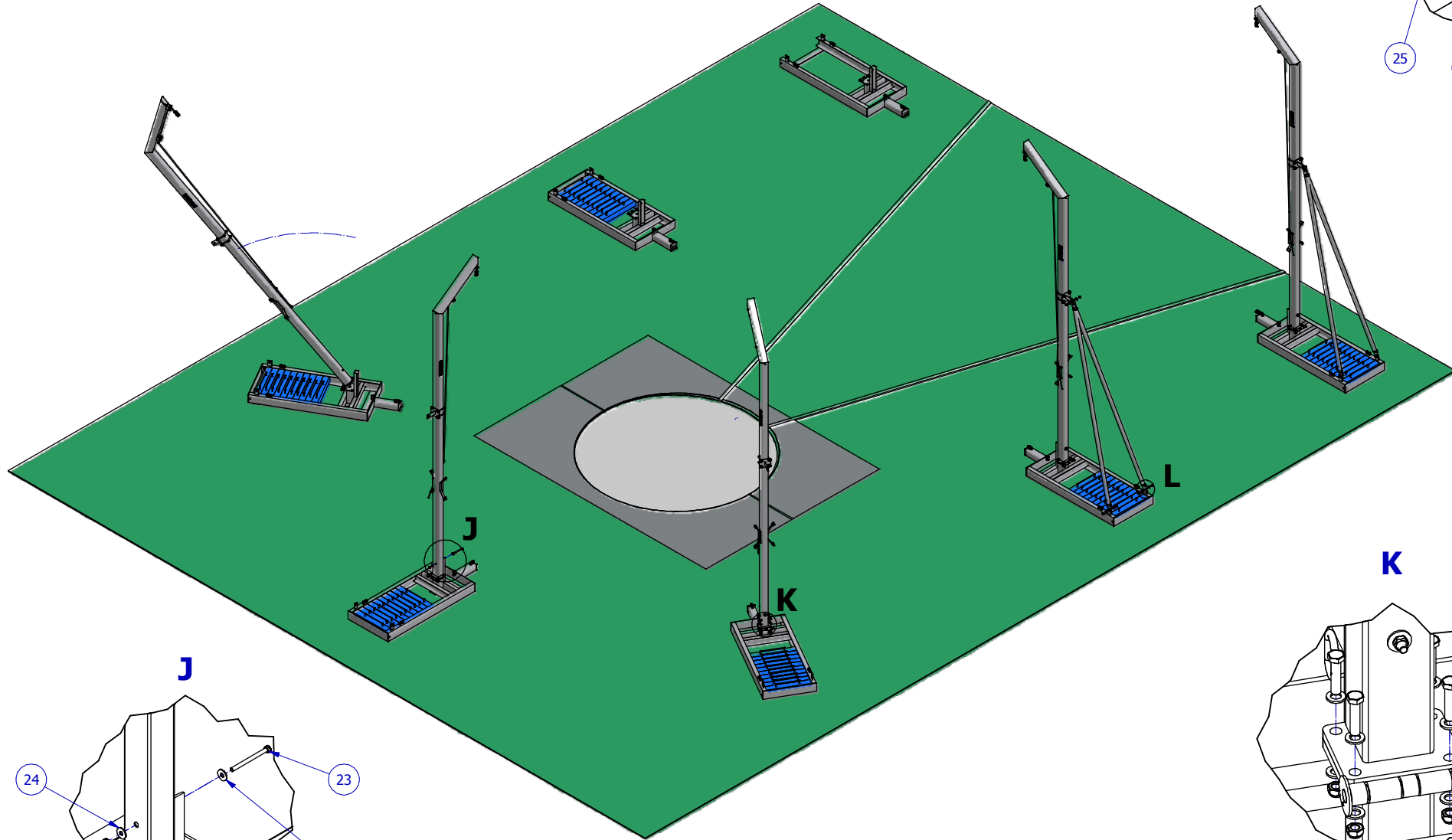
**6 : Installation of post**





**Mobile discus cage**

**8 : Installation overview**

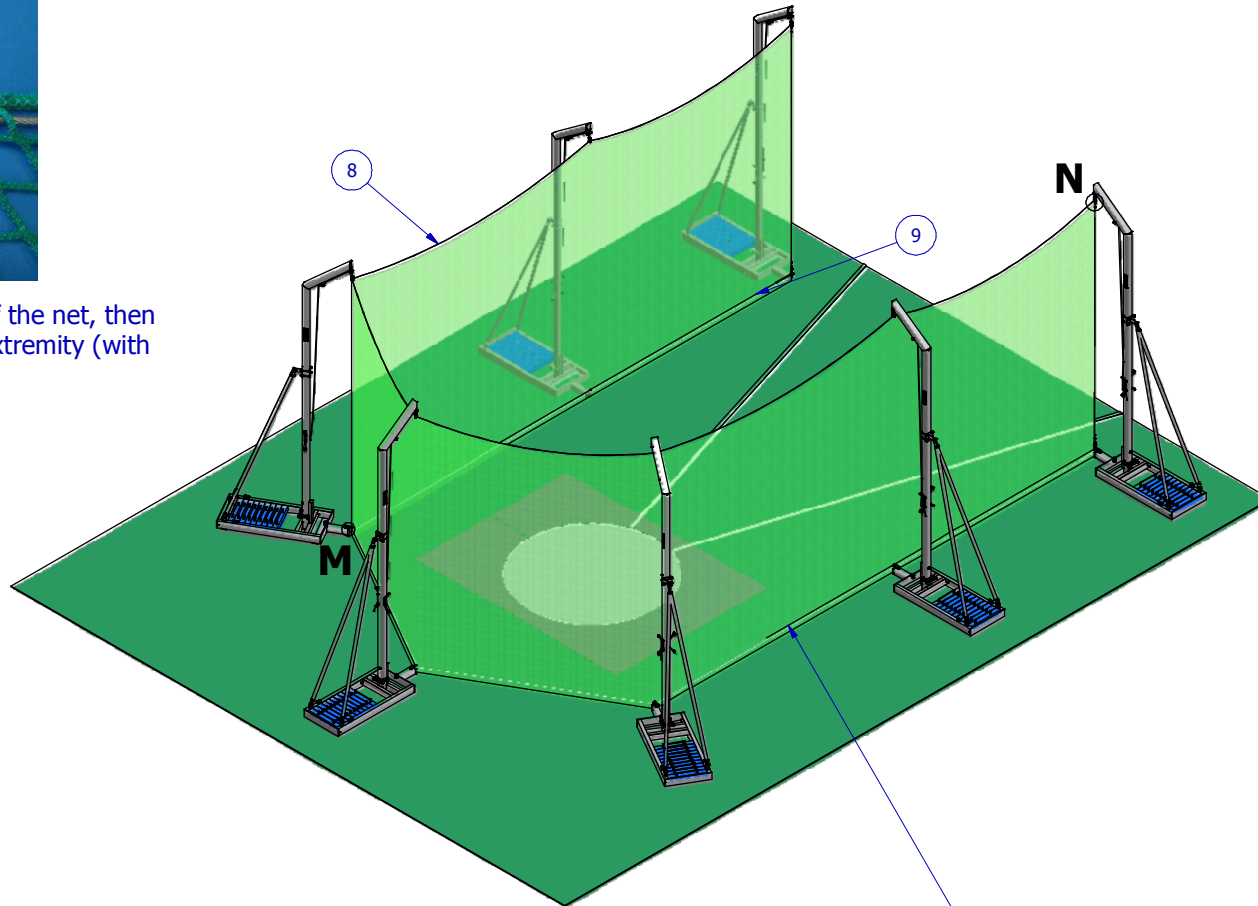
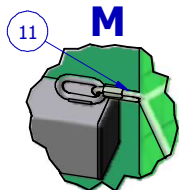


**Mobile discus cage****9 : Assemble and set-up the netting**

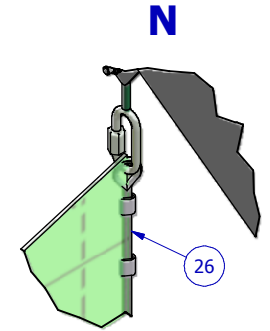
Braid the cable in the high part of the net, then stick with a fast stitch on every extremity (with the fast stitch of every halyard).



Net is maintained on each post in order to have IAAF dimensions required.



Assemble the white halyard on the bottom of posts, distribute correctly the net.



Knit wire cable in the net on each side first post.



**Mobile discus cage****CERTIFICATE**

THE IAAF IS PLEASED TO CERTIFY HEREBY  
THAT THE FOLLOWING PRODUCT

of the Company : Marty Sports  
Title of Product : Throwing cage, Discus  
Colour / Thickness : White  
Catalogue Number : A2420  
Certification N° : E-00-0233

HAS BEEN TESTED AND MEETS THE TECHNICAL REQUIREMENTS FOR  
USE IN ALL INTERNATIONAL ATHLETIC COMPETITIONS.

THIS CERTIFICATE IS ISSUED IN ACCORDANCE WITH THE TERMS AND  
CONDITIONS OF THE IAAF CERTIFICATION SYSTEM OF TRACK AND  
FIELD FACILITIES, IMPLEMENTS AND COMPETITION EQUIPMENT.

This certificate is valid from : 1 July 2008

until the last day of July 2012

PIERRE WEISS  
IAAF General Secretary



JORGE SALCEDO  
IAAF Technical Committee Chairman