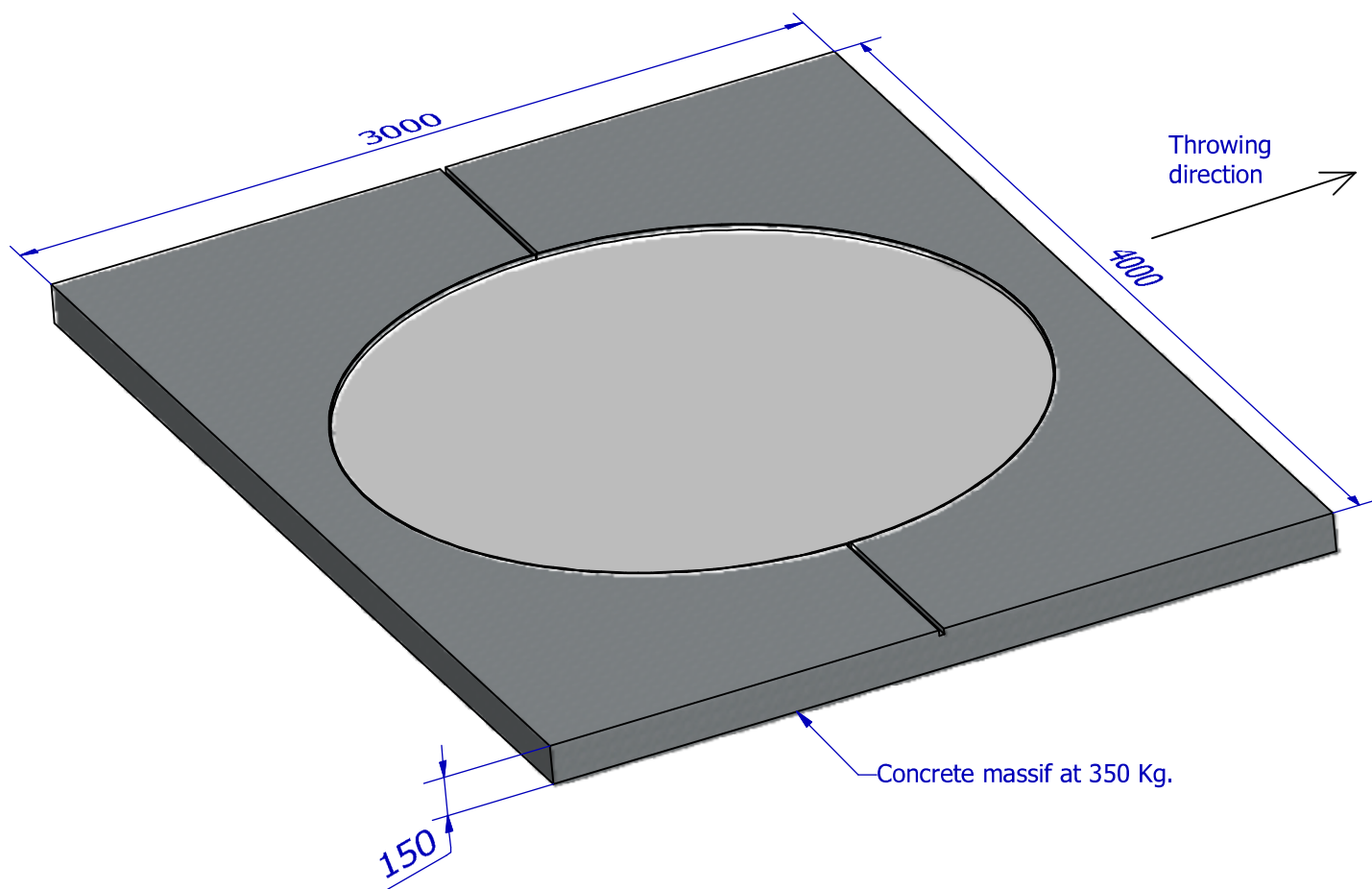


Discus throwing circle Ø2500 to embed

Product certified IAAF N° E-06-0439

CAUTION :

- Do not use in different purposes than its appropriate use.
- Do not use if not authorized.



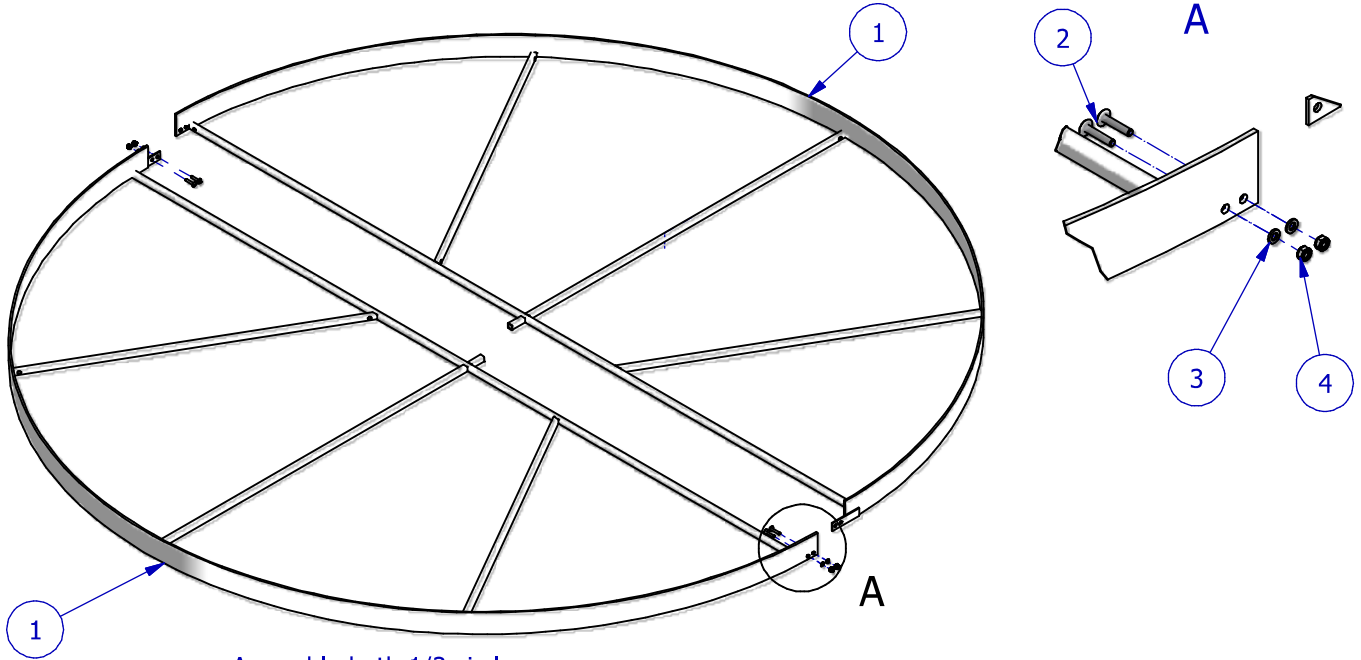
Liste de pièces

ARTICLE	DESIGNATION	QTE
1	1/2 discus circle of Ø2m500	2
2	Screw M6x30	4
3	Wasker Ø6 L	4
4	Bolt M6	4

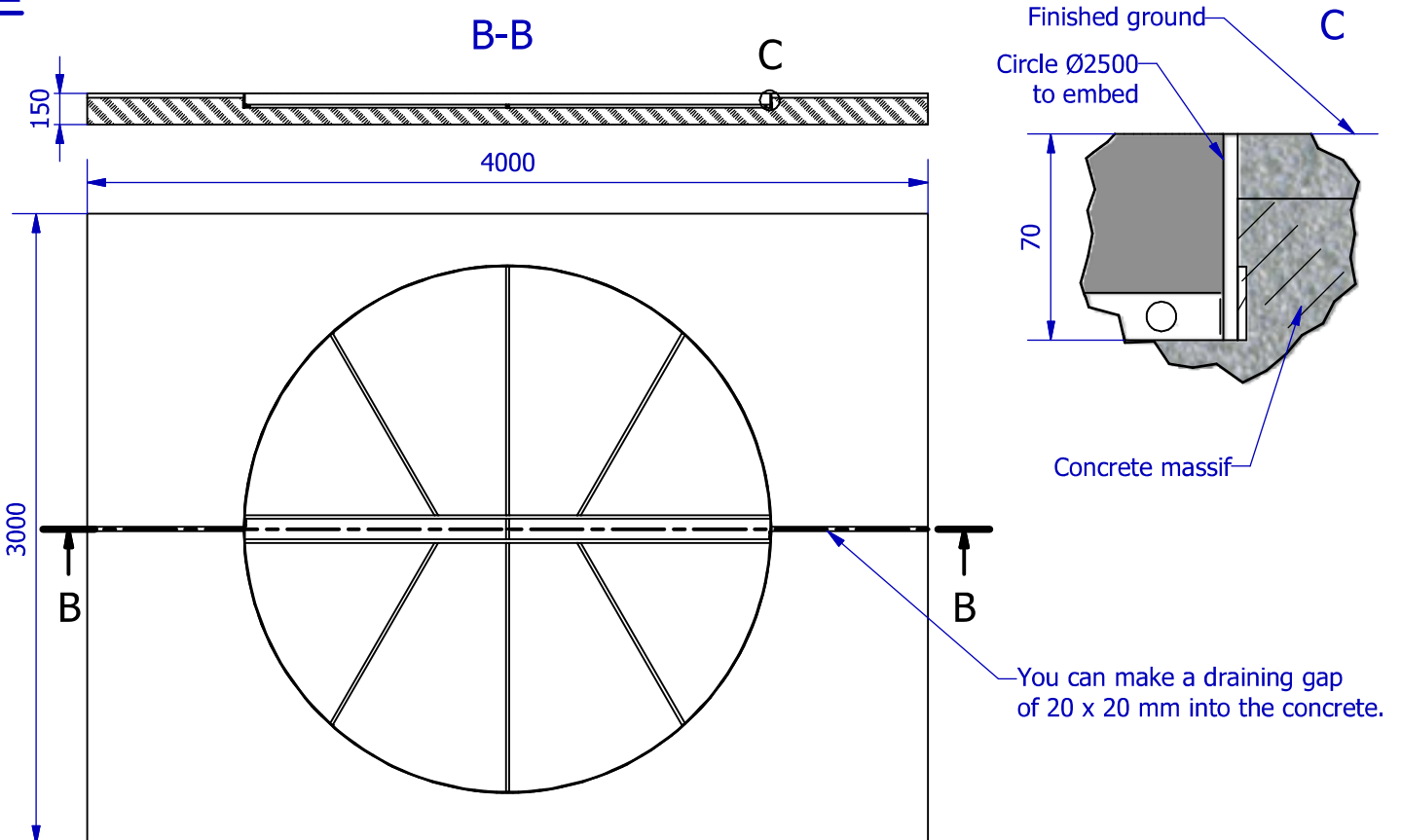
Discus throwing circle Ø2500 to embed

Product certified IAAF N° E-06-0439

1



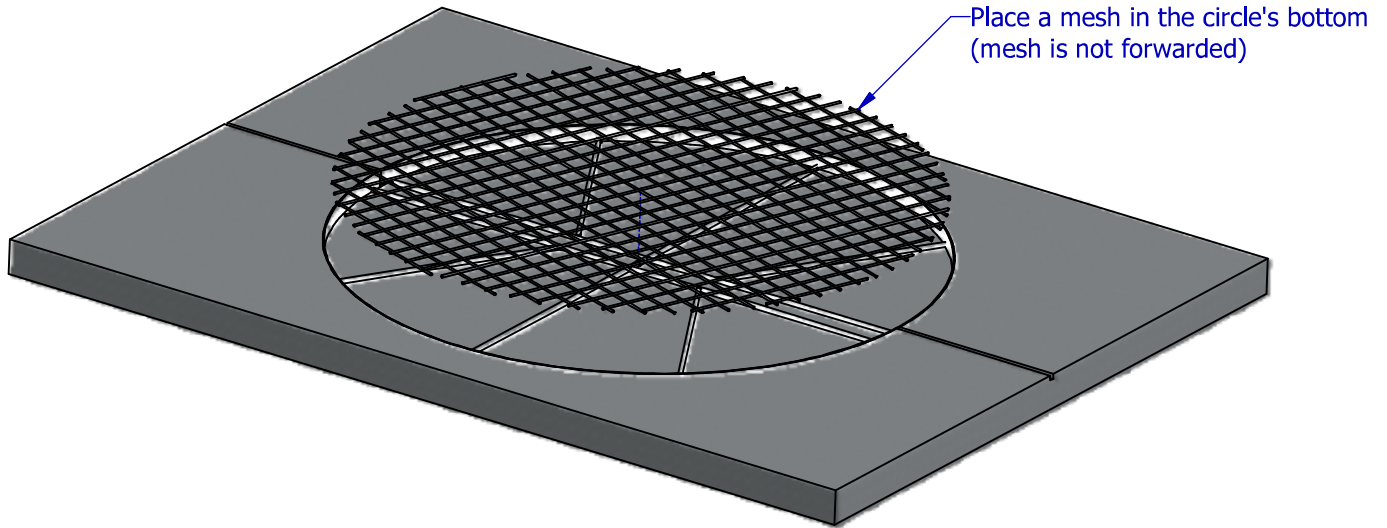
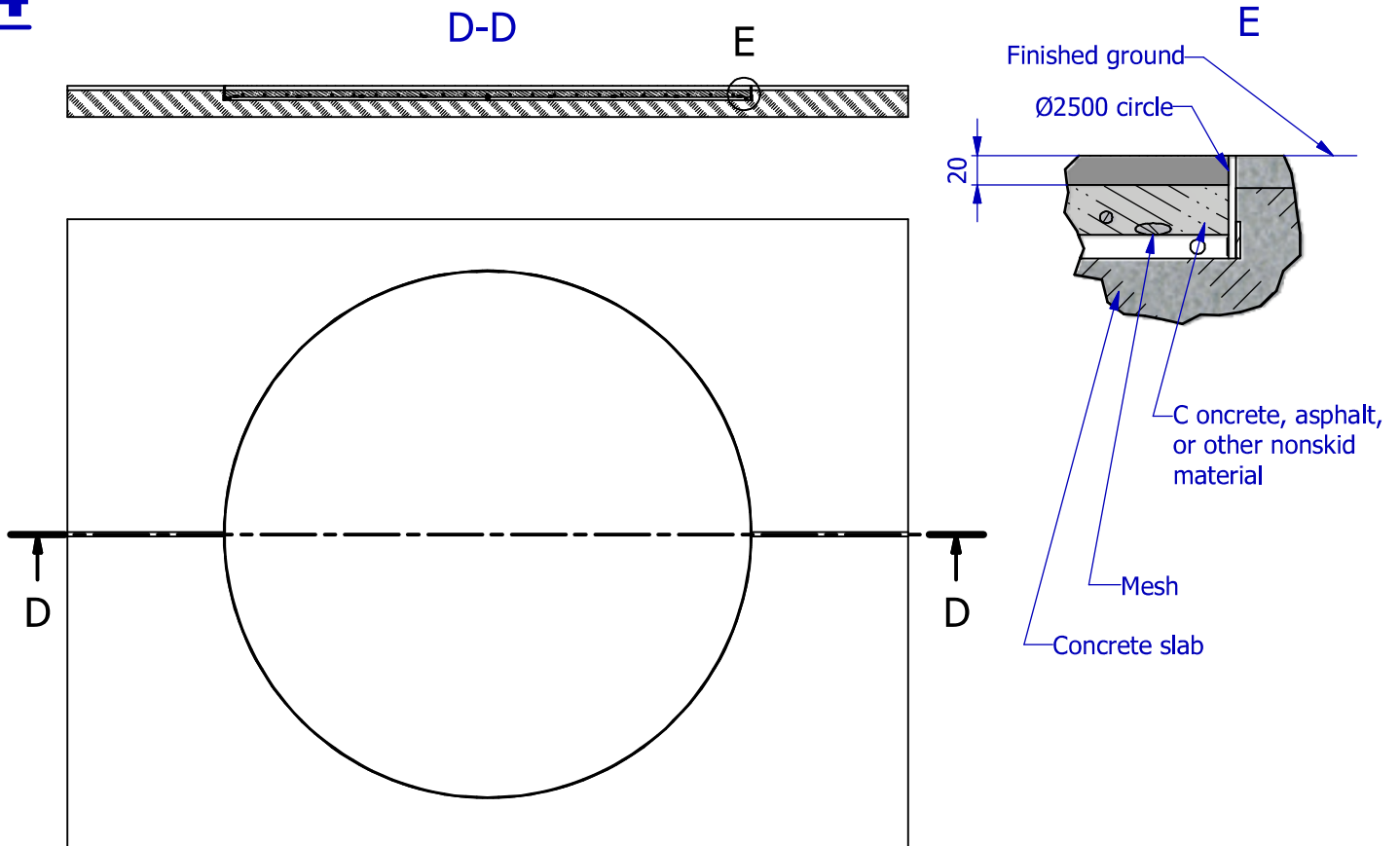
2



Embed the circle into a concrete massif at 350 kg.
Connexion in between both half circles must be on the same.
Circle must make flush to the concrete in its upper part.

Discus throwing circle Ø2500 to embed

Product certified IAAF N° E-06-0439

3**4**

After mesh has been installed, fill the circle up, with concrete, till you have a flat surface at 20mm from the upper part of the circle