

## Indoor throwing area

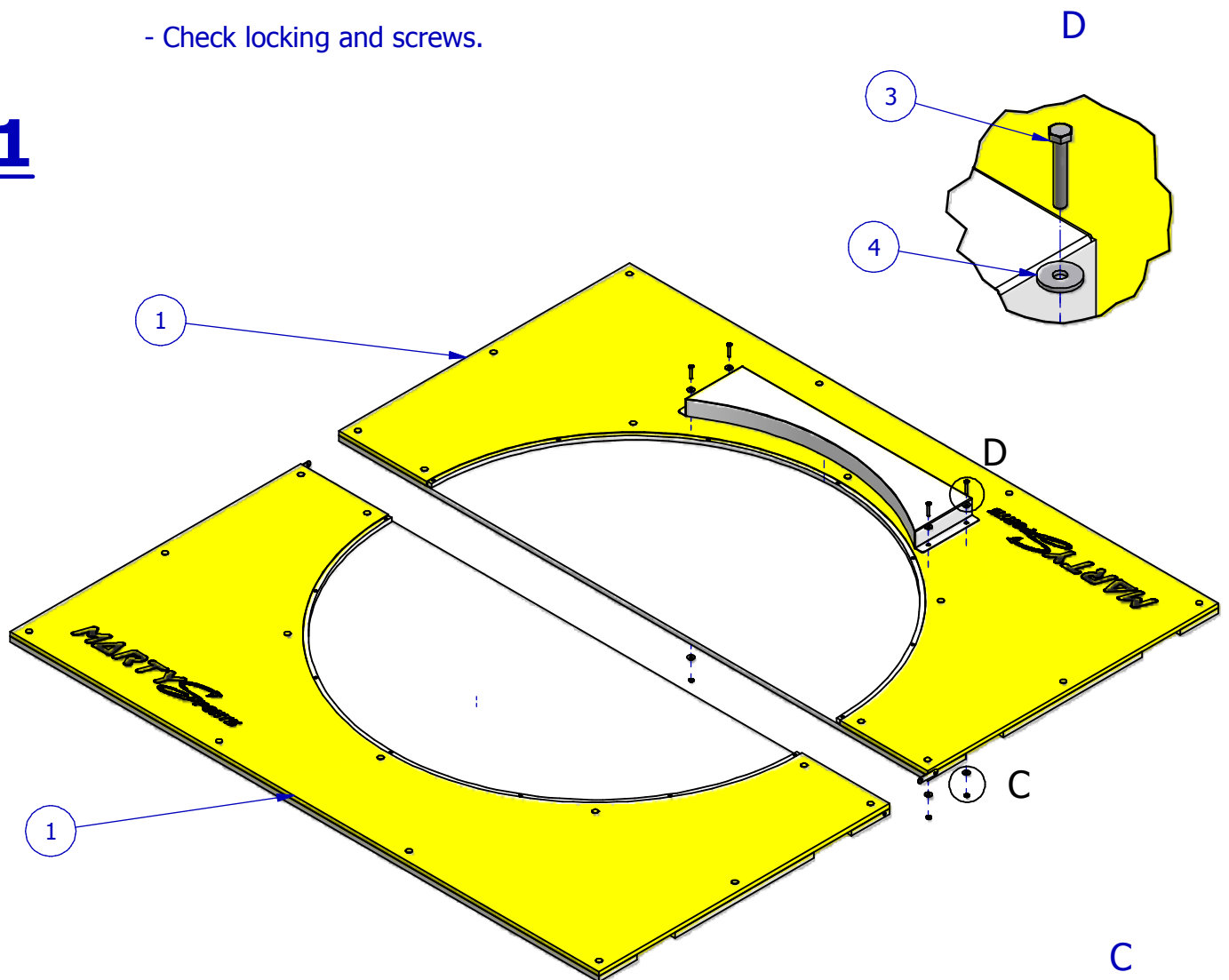
### NOTES ON USE :

- To use on a flat surface.
- To be used only as a discus area.
- Before use make sure hooks are locked.
- Do not use if you are not granted to.
- To be used indoor.

### MAINTAINANCE :

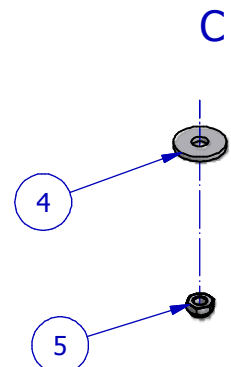
- Check locking and screws.

# 1



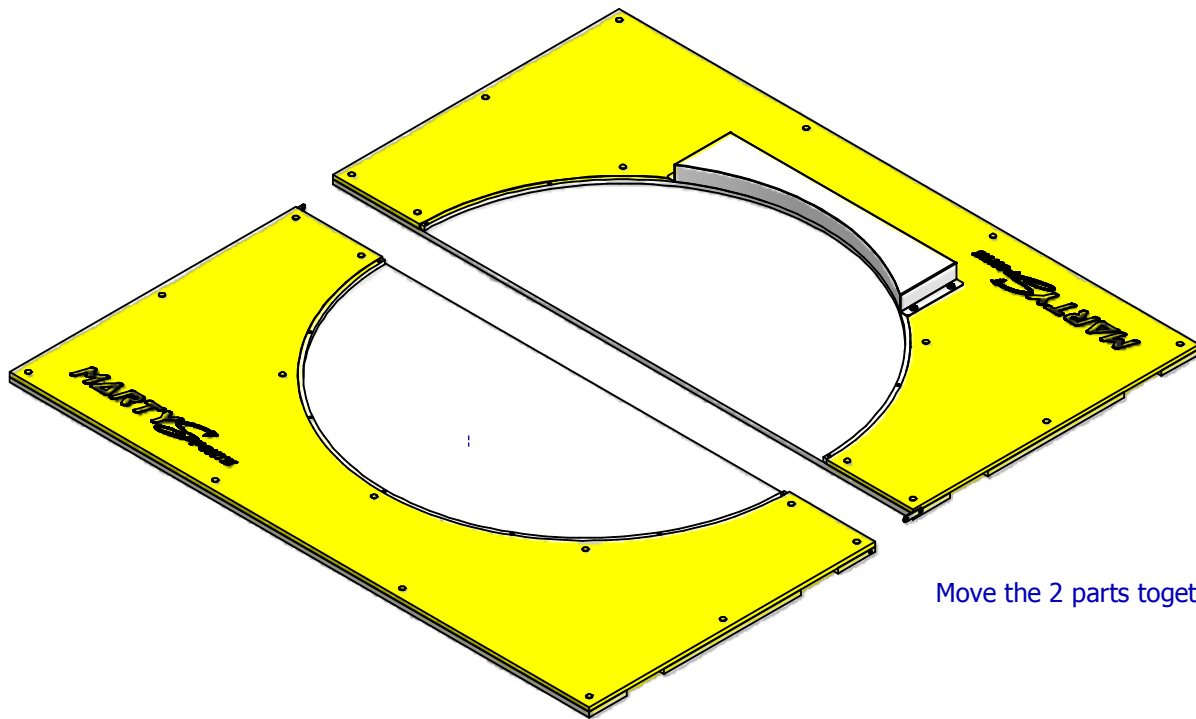
List of component

ARTICLE	DESIGNATION	QTE
1	1/2 plywood layers	2
2	toe board A2541	1
3	Screw TH M8 x 50	4
4	washer Ø8 LL	8
5	nut M8	4



## Indoor throwing area

**2**



Move the 2 parts together

**3**

