

FOLDABLE MINI BASKETBALL GOAL

DESCRIPTION:

- Basketball goal lifting frame
- Mono-tube section of 100 mm (main piece responding to the norm).

INSTRUCTIONS OF USES:

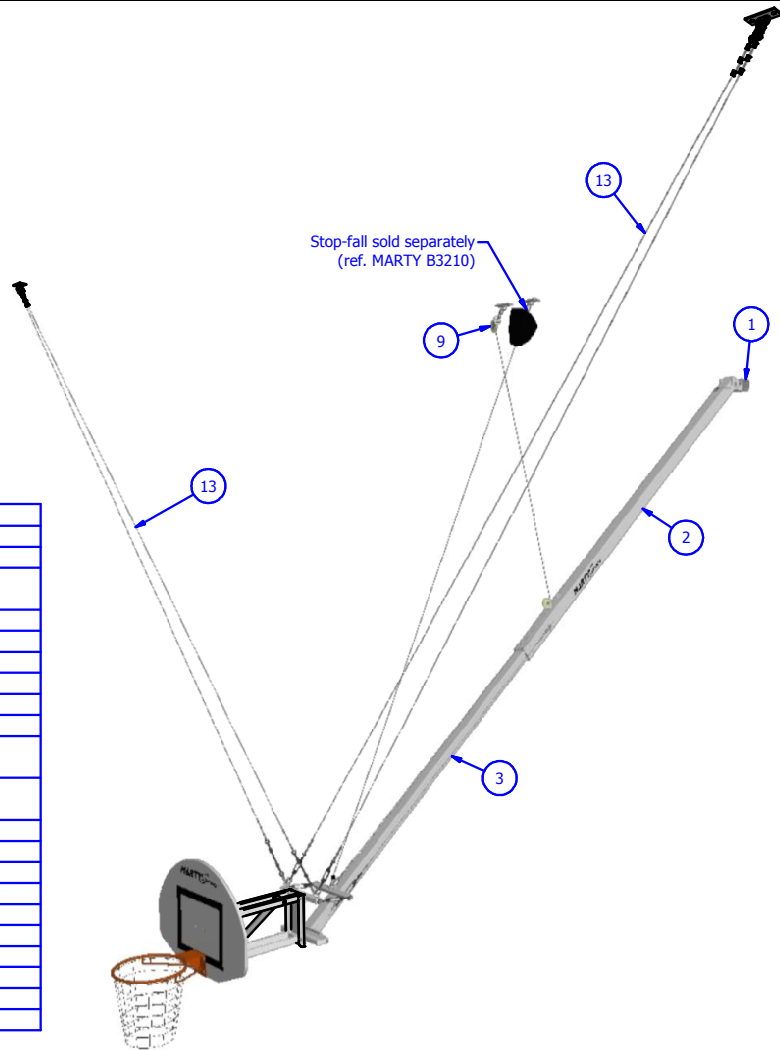
- The use of this goal is excluded for any other sport than basketball.
- Do not climb on the structure.
- Do not hang to the circle or to the net.

MAINTENANCE: (Periodic)

- Check the condition of the panel, circle, and cables, of the lifting system and of the stop-fall.
- Check the metallic structure (welds) and especially the fixing points on the frame.
- Tighten the screws and grease the parts in motion if necessary.

LIST OF PIECES

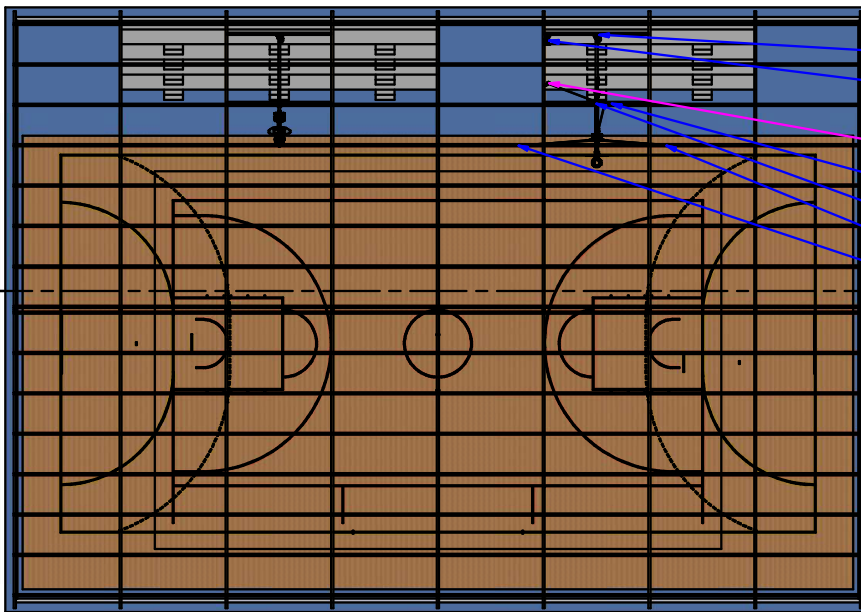
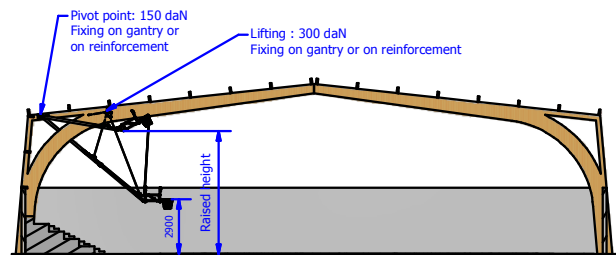
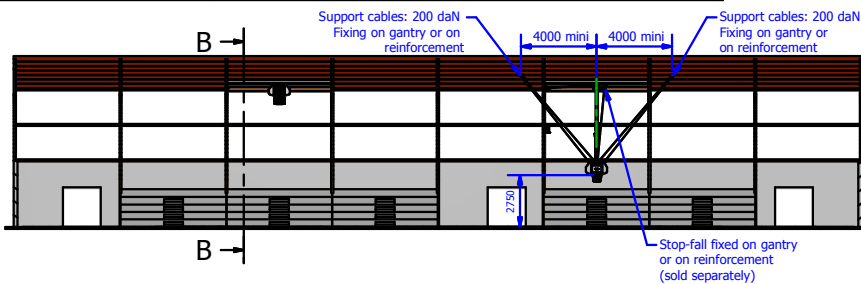
ARTICLE	NUMERO DE PIECE	QTE	DESCRIPTION
1	Pivot point	1	Specific piece with study adapting to the frame
2	Retractable mono-tube in square of 100 mm	1	Length to define with study
3	Retractable arrow	1	Length to define with study
4	Head of basketball goal mini adjustable	2	
5	Semi-circular panel	1	
6	Reinforced circle	1	
7	Net	1	
8	Measuring rod	1	To ascent and descent the whole circle/panel
9	Crazy pulley	To define	Quantity to define with study
10	Fixing on frame	To define	Specific piece with study adapting to the frame
11	Stop-fall	1	Security component obligatory, sold separately
12	Lifting cable	1	
13	Support cable pre-assembled	4	Length to define with study
14	Arrow catch cable	2	Length to define with study
15	Securing cable of pivot	1	
16	Elastic strap lantern	2	
17	Quick link Ø8	10	
18	Screw TH M10 x 40	6	
19	Flat washer Ø10LL	4	
20	Washer fan shape Ø10 wide	6	



Stop-fall sold separately
(ref. MARTY B3210)

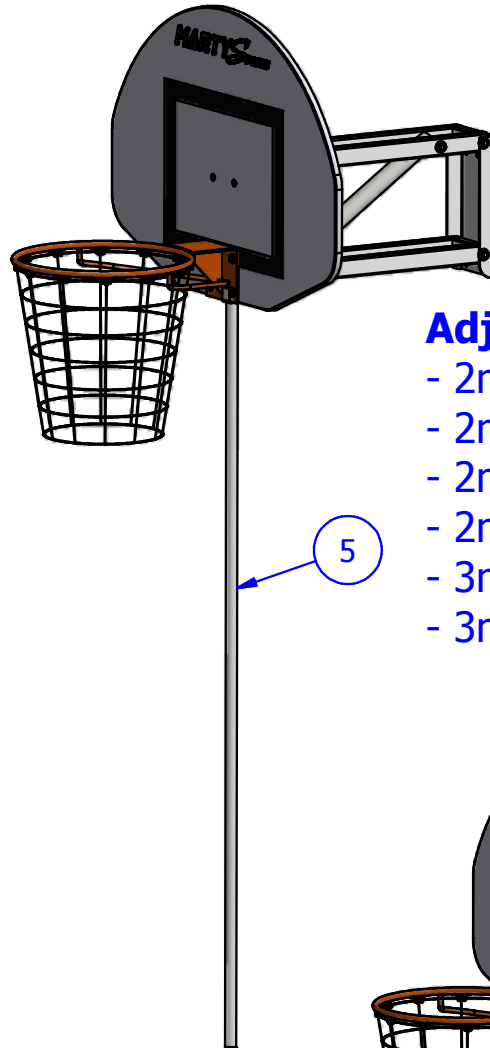
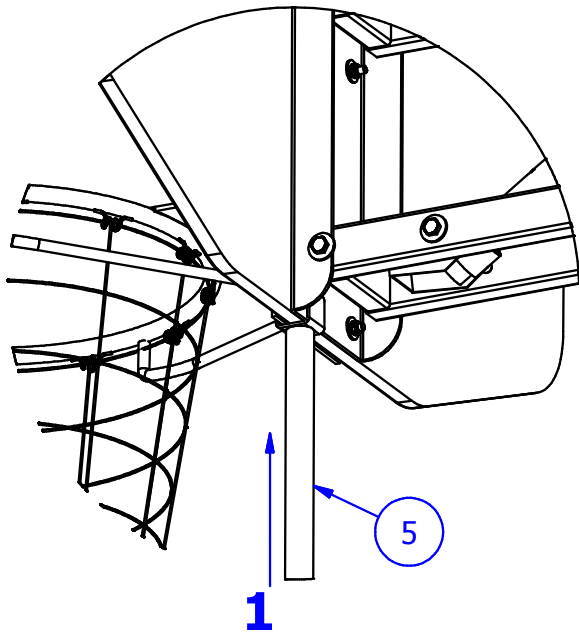
FOLDABLE MINI BASKETBALL GOAL

Example of establishment on wood frame.
Complete establishment plans will be given to you following the shape of your room.



- Fixing of the pivot point
- Fixing of the manual or electrical lifting system (sold separately)
- Fixing of a return pulley
- Fixing of the stop-fall
- Fixing of the lift
- Fixing of the support cables
- Fixing of the support cables

Les différents efforts des points d'accroches du but sur la charpente (compris renvois de câbles et système de relevage) sont soumis à la vérification par un BET structure ou un charpentier suivant la norme NFS 52-400. Des renforts ou supports pourront être nécessaires suivant l'implantation à réaliser.

**FOLDABLE MINI BASKETBALL
GOAL****Ascent of the panel****Adjustment heights :**

- 2m45
- 2m60
- 2m75
- 2m90
- 3m05
- 3m20 (Storage)

Descent of the panel