

## FOLDABLE MINI BASKETBALL GOAL FIXED HEIGHT

### DESCRIPTION:

- Folded basketball goal.
- Main structure in steel.

### INSTRUCTIONS OF USES:

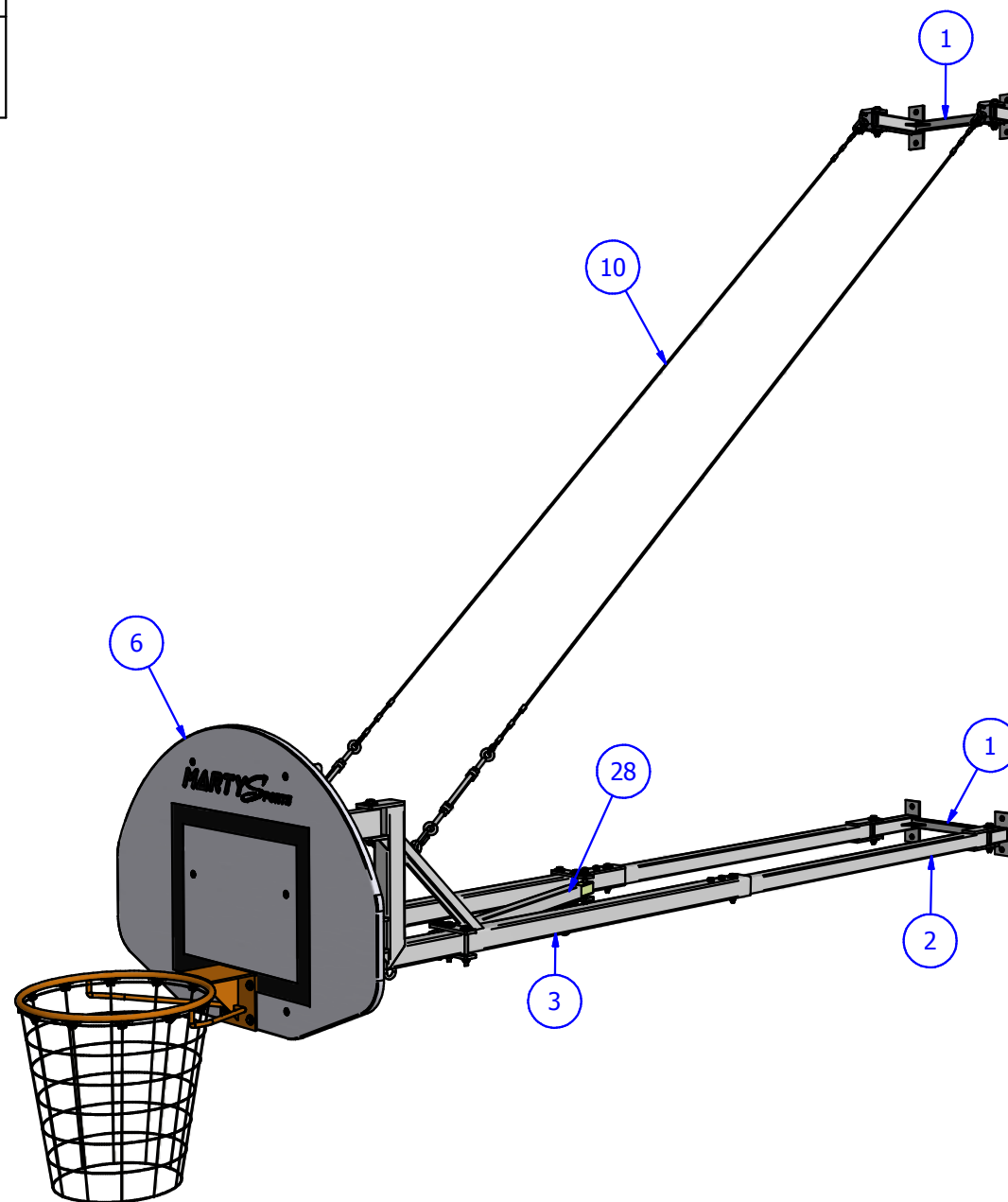
- The use of this goal is excluded for any other sport than basketball.
- Do not climb on the structure.
- Do not hang to the circle and to the net.
- It is not recommended to use the goal in folded position.

### MAINTENANCE: (Periodic)

- Check the condition of the panel, circle and cables.
- Check the metallic structure (welds) and especially the fixings points.
- Tighten the screws and grease the parts in motion if necessary.

### LIST OF PIECES

ARTICLE	NUMERO DE PIECE	QTE	DESCRIPTION
1	Pivot supports	2	Specific piece with study adapting to the support
2	Rear arm	2	Length to determine with study
3	Front arm	2	Length to determine with study
4	Fixing frame of the goal head	1	
5	Fix frame for panel fixing	1	
6	Semi-circular panel	1	
7	Reinforced circle	1	
8	Net	1	
9	Pivot of the catch cables	2	
10	Connector board	4	
11	Indexing bar	1	
12	Measuring rod of indexing	1	
13	Catch cable	2	Length to determine with study
14	Screw TH M12 x 110	4	
15	Screw TH M12 x 90	2	
16	Flat washer Ø12L	12	
17	Brake nut M12	6	
18	Screw TH M10 x 100	6	
19	Screw TH M10 x 80	2	
20	Screw TH M10 x 40	4	
21	Flat washer Ø10L	24	
22	Brake nut M10	12	



## FOLDABLE MINI BASKETBALL GOAL FIXED HEIGHT

The different effort of the attachment points of the goal are subjected to the verification by a BET structure according to the norm NFS 52-400. Reinforcements or supports may be necessary according the establishment to realize.

Example of establishment on wood frame.  
 Completes establishments plans will be given to you according the shape of your room.

