

**TEAM SHELTERS MONOBLOC HT  
1M80 LENGHT 5M00****DESCRIPTION :**

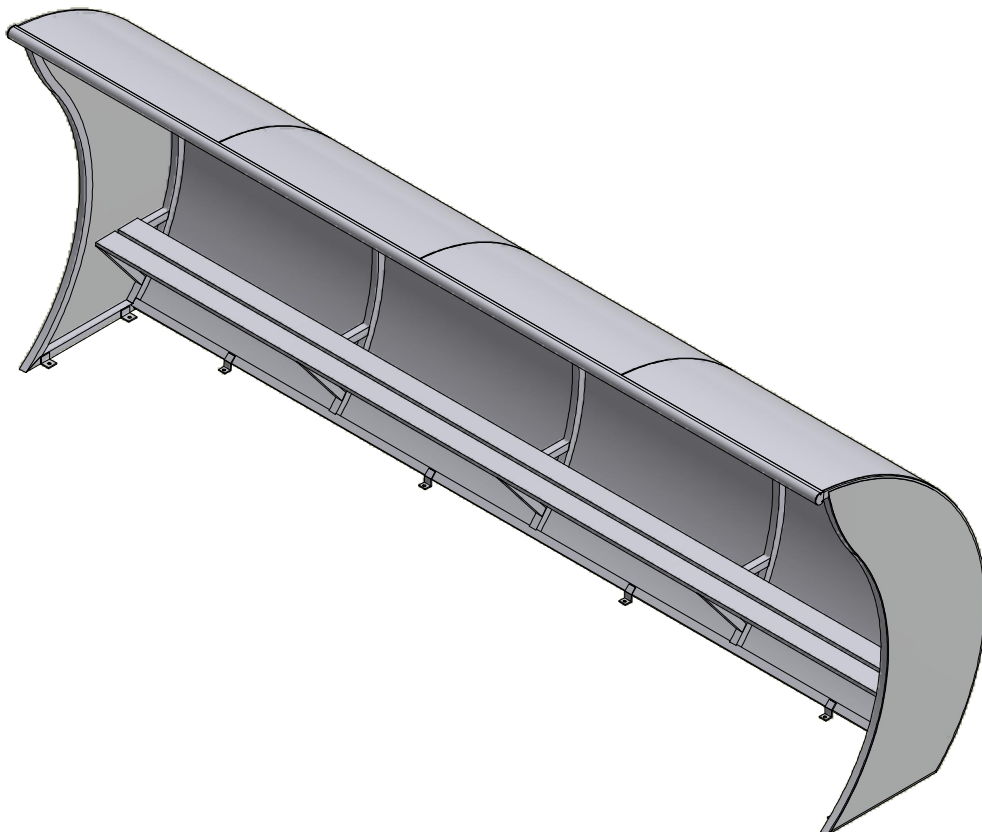
- Team shelter monobloc HT 1m80 Lenght 5m
- White powdered aluminium frame
- Seat 2 slats in aluminium

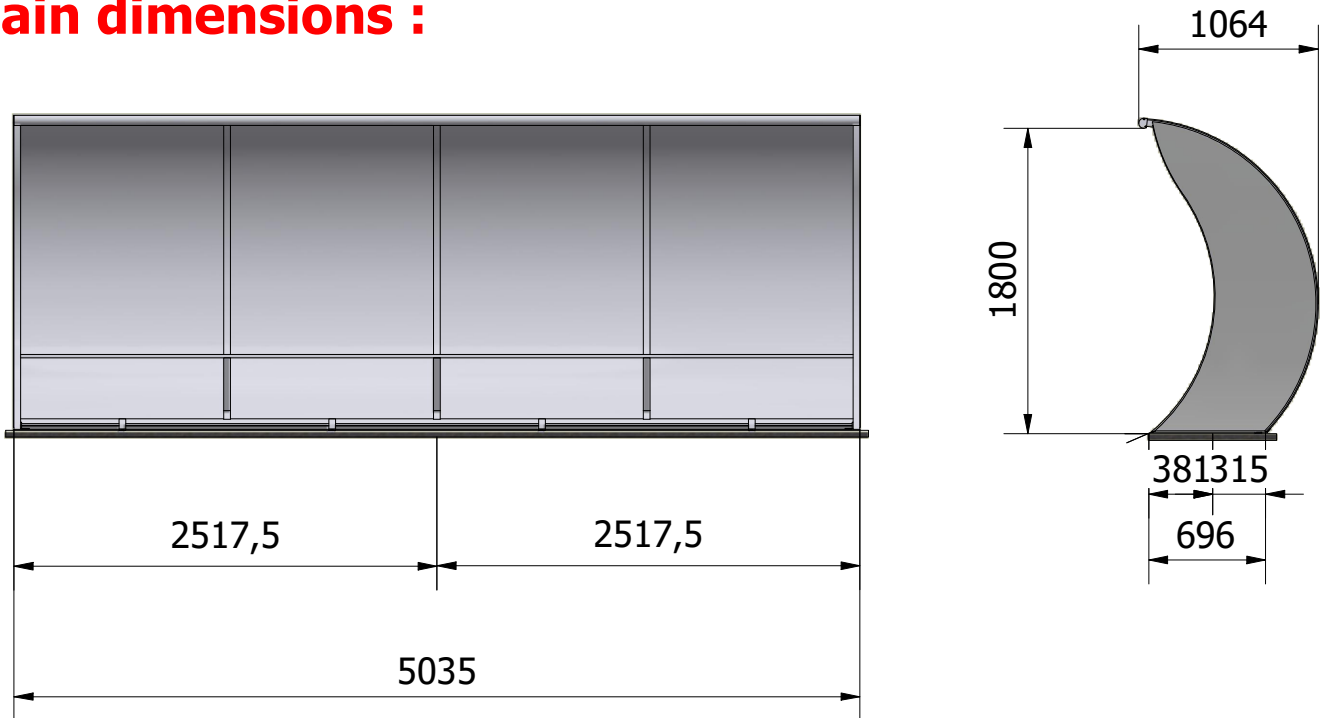
**OPERATING INSTRUCTIONS :**

- This shelters is strictly reserved for officials during games.
- Don't climb or hang from the structure.
- It's not recommended to sit with more than 10 adults.

**MAINTENANCE : (Périodic)**

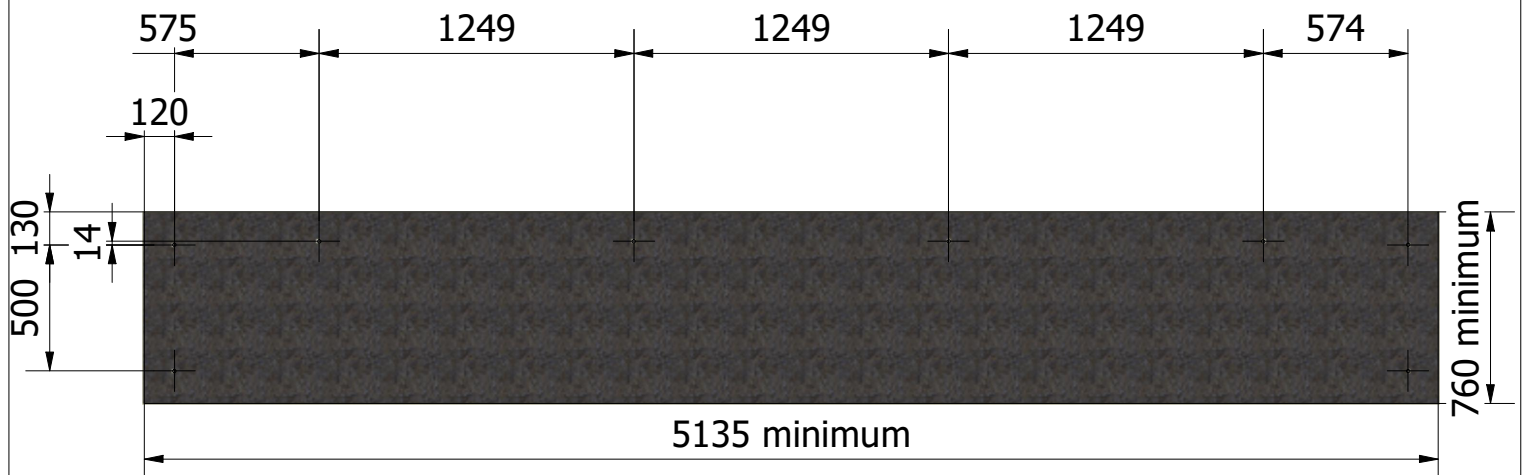
- Checking welds, particularly at the seat and the closing plates (sheet metal).
- Check floor anchor.



**TEAM SHELTERS MONOBLOC HT  
1M80 LENGHT 5M00****Main dimensions :****Positionning anchors concrete slab :**

Recommendation :

- Thick concrete slab 150 mm ( $350\text{kg/m}^3$ )
- Fixing by Bétabolt
- Minimum slab length : 5135 mm
- Minimum slab width : 760 mm



**TEAM SHELTERS MONOBLOC HT  
1M80 LENGHT 5M00****Positionning in relation to the key line**

FFF Recommendation (French Football federation) :

- Symetrical to the center line
- In the alignment of team benches

