

Junior Aluminium Soccer Goal 4m00 x 1m50

INSTRUCTIONS FOR USE:

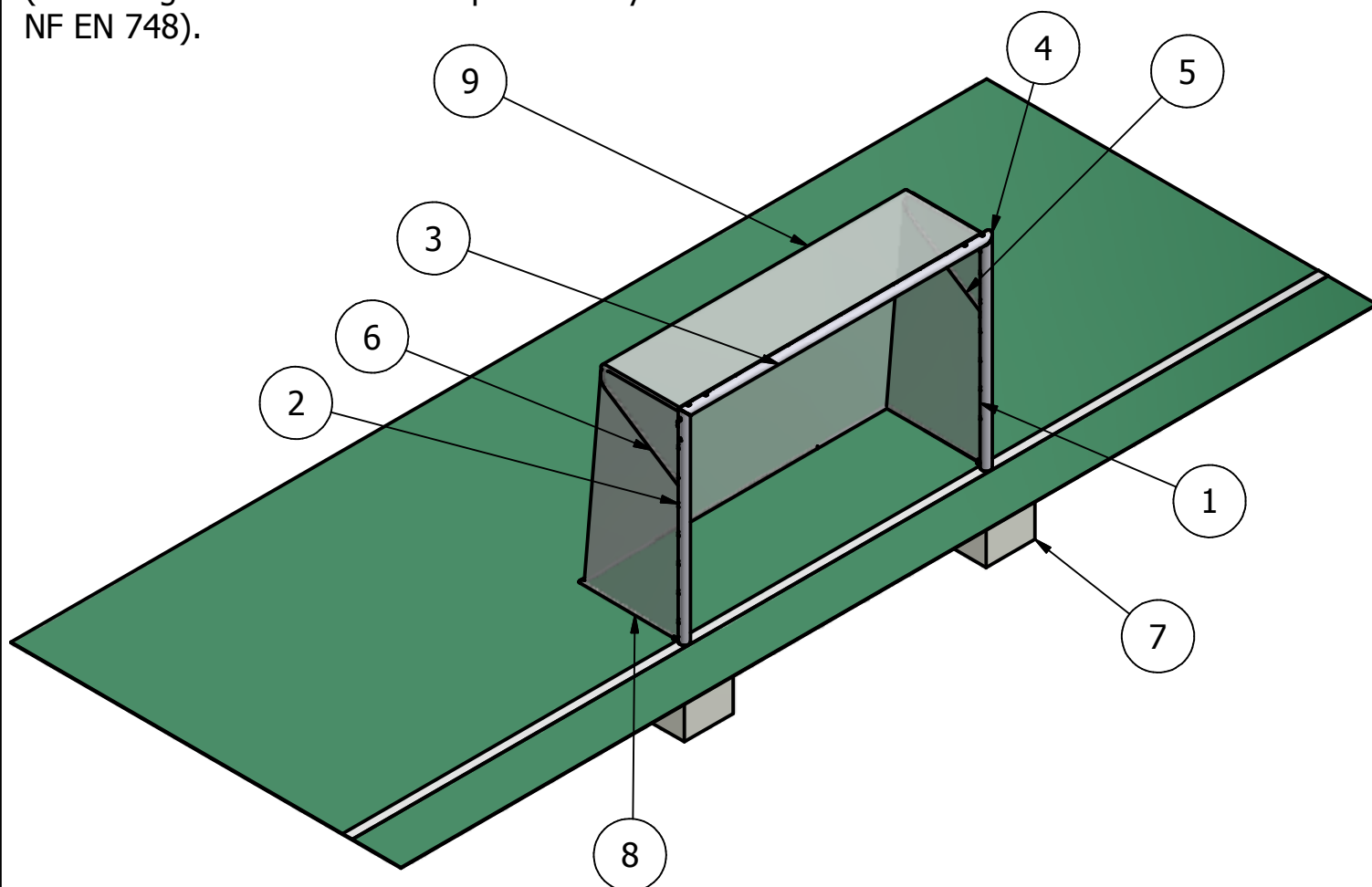
- Do not hang, swing, climb.
- Do not use it for any purpose other than that intended.
- Do not use if it is not attached.
- Do not use without authorization.
- It must be fixed during storage or made unusable.

MAINTENANCE: (Periodic)

- Check the tightening.
- Check the condition of the armature.
- Check the condition of the seals.
- Every 2 to 3 years, a heavy check is recommended (according to the test method provided by standard NF EN 748).

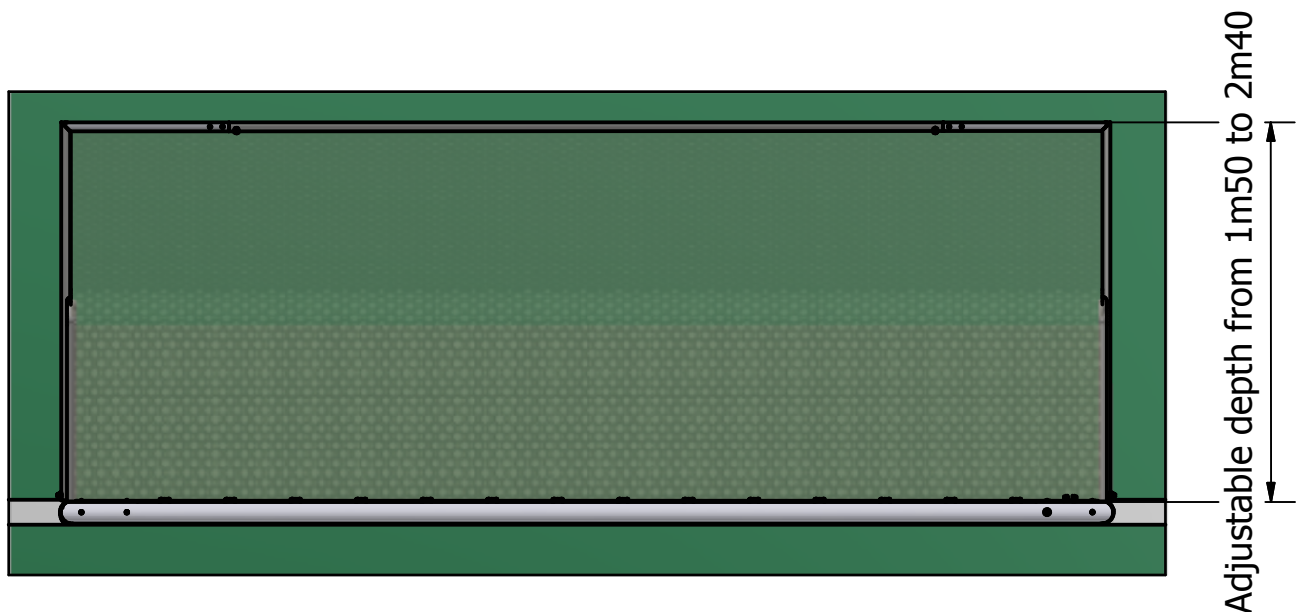
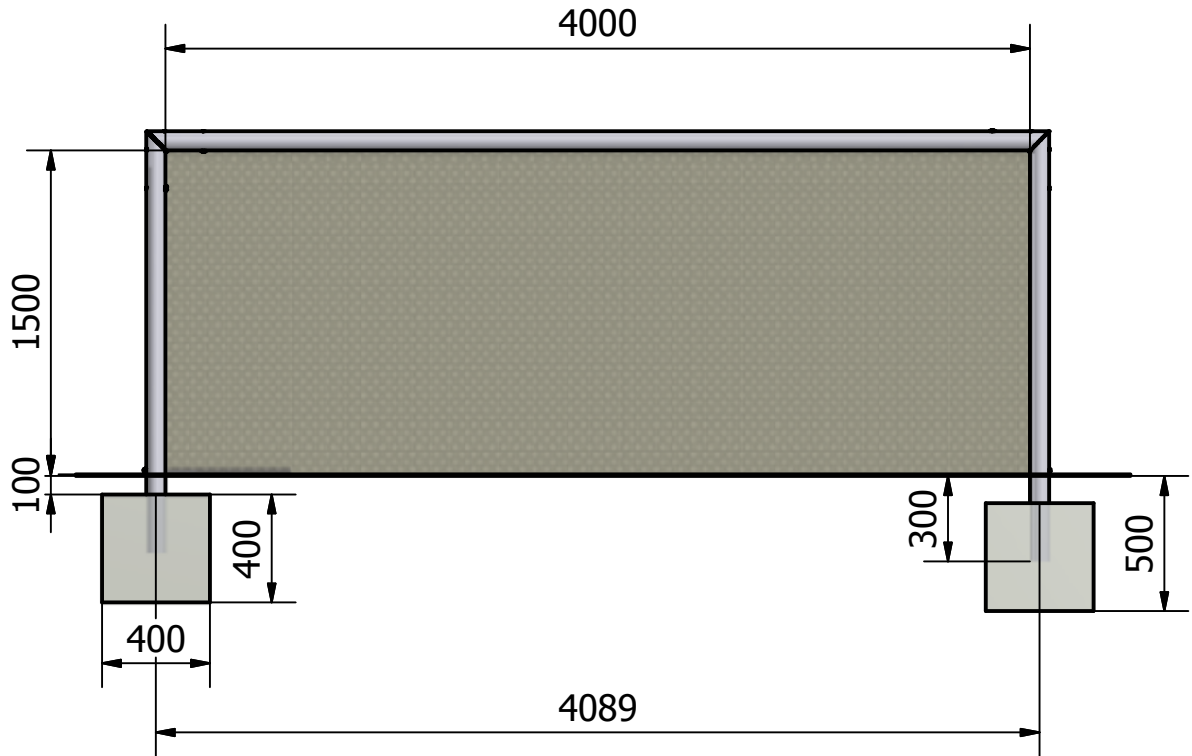
PARTS LIST

ITEM	QTY	DESIGNATION
1	1	Post R Alu ø90
2	1	Post L Alu ø90
3	1	Crossbar Alu ø90
4	2	Seal
5	1	Net handles R (option)
6	1	Net handles L (option)
7	2	Footings 400x400x400
8	1	Net riser (option)
9	1	Soccer net (option)



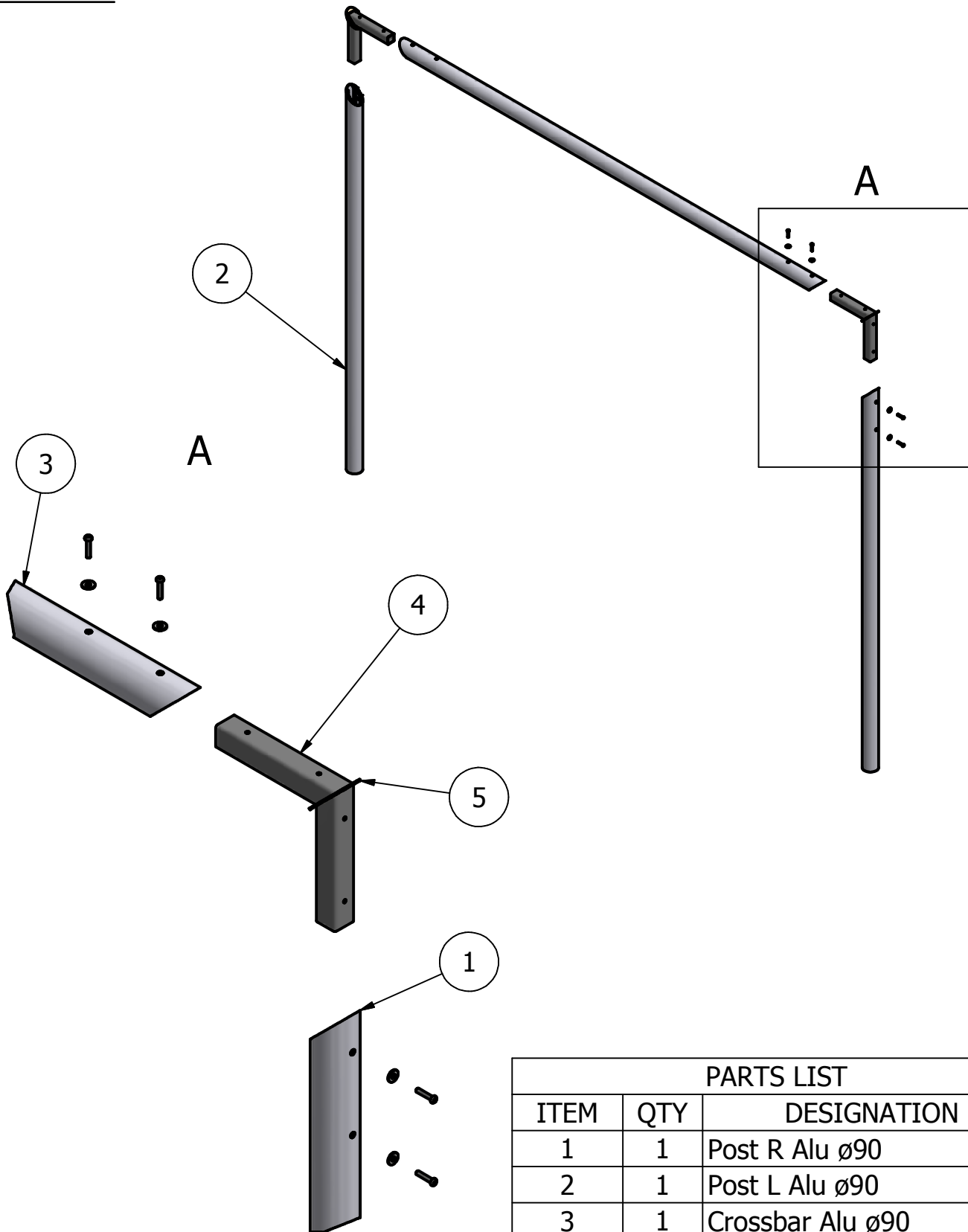
Junior Aluminium Soccer Goal 4m00 x 1m50

1 : Establishment



Junior Aluminium Soccer Goal 4m00 x 1m50

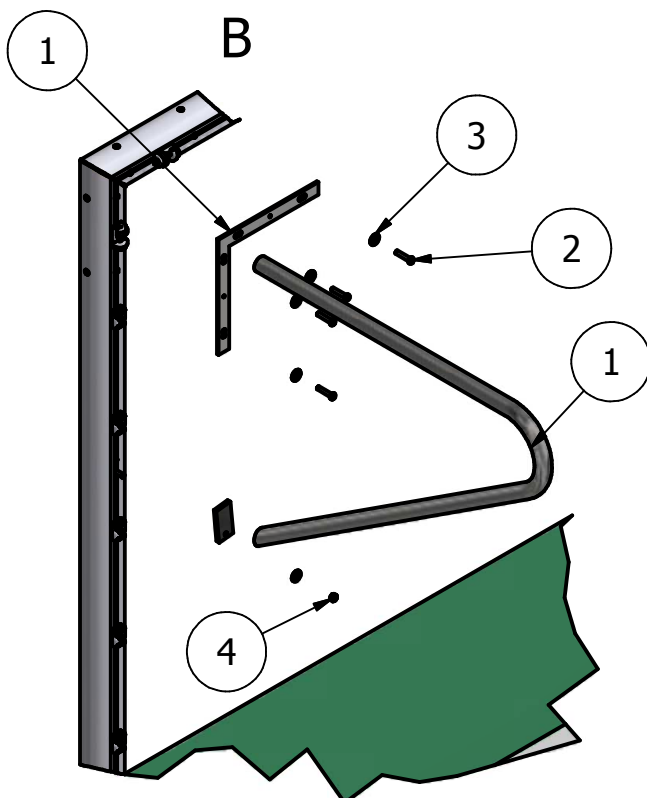
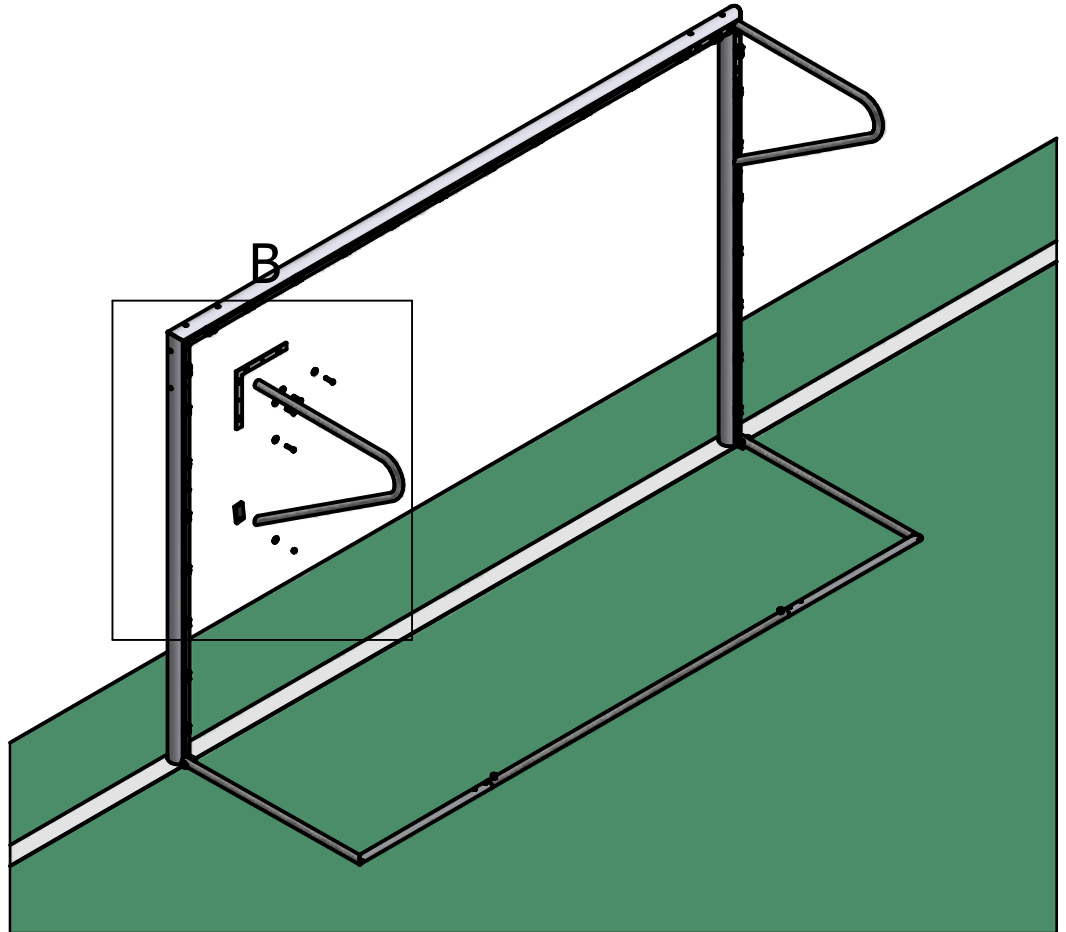
2 : Details



PARTS LIST

ITEM	QTY	DESIGNATION
1	1	Post R Alu ø90
2	1	Post L Alu ø90
3	1	Crossbar Alu ø90
4	2	Shelf Bracket
5	2	Seal

Junior Aluminium Soccer Goal 4m00 x 1m50



PARTS LIST

ITEM	QTY	NUMERO DE PIECE
1	1	Net Handle R
2	16	Screw BHC - M8 x40
3	18	Washer ø8
4	2	Nut - M8