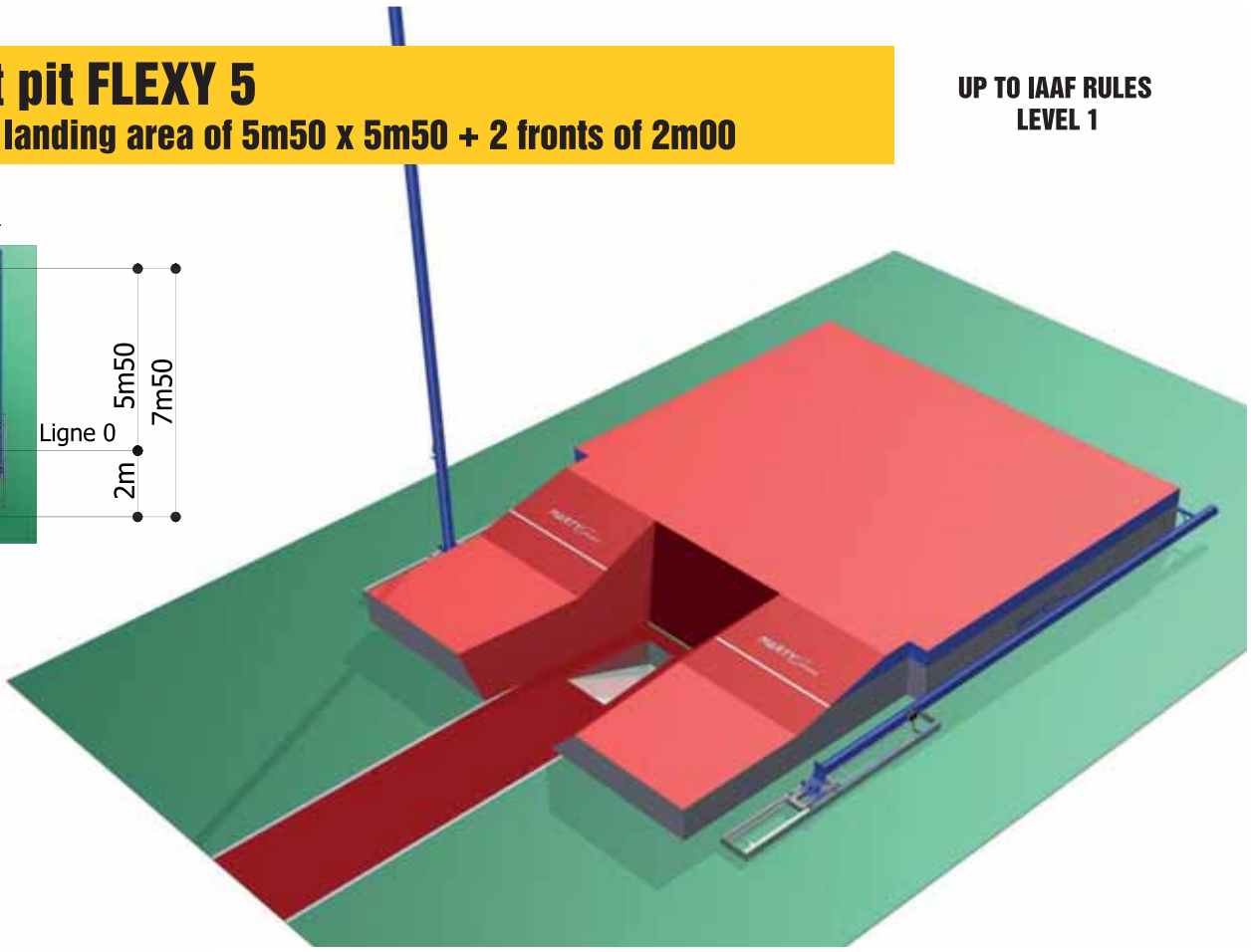
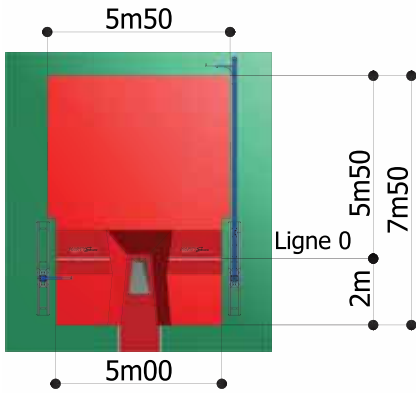


Pole vault pit FLEXY 5

7m50 x 5m50 landing area of 5m50 x 5m50 + 2 fronts of 2m00

UP TO IAAF RULES
LEVEL 1



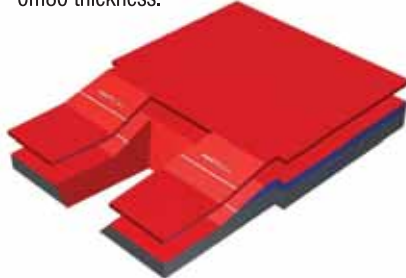
MONOBLOC PIT A2196

0m70 thickness.



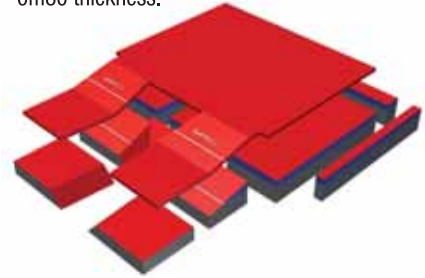
SEMI MODULAR A2196T

0m80 thickness.



MODULAR A2218

0m80 thickness.



GALVANISED STEEL DUCKBOARD

A2246 Fixed feet.

A2246R On castors.



GARAGES in 3 parts **NEW** 1 opening on gable

6m00 large. With possibility to place foldable posts in the garage or standard posts outside the garage.

A2283 Fixed wheels.

A2283P Pivoting wheels.

A2283GA With rails.

OPTION : PANNELS COLORS A2282L

BAD WEATHER COVER

A2236/7 0m70 thickness.

A2236/8 0m80 thickness.

