

## Rack trolley for Badminton

### Détails of pieces

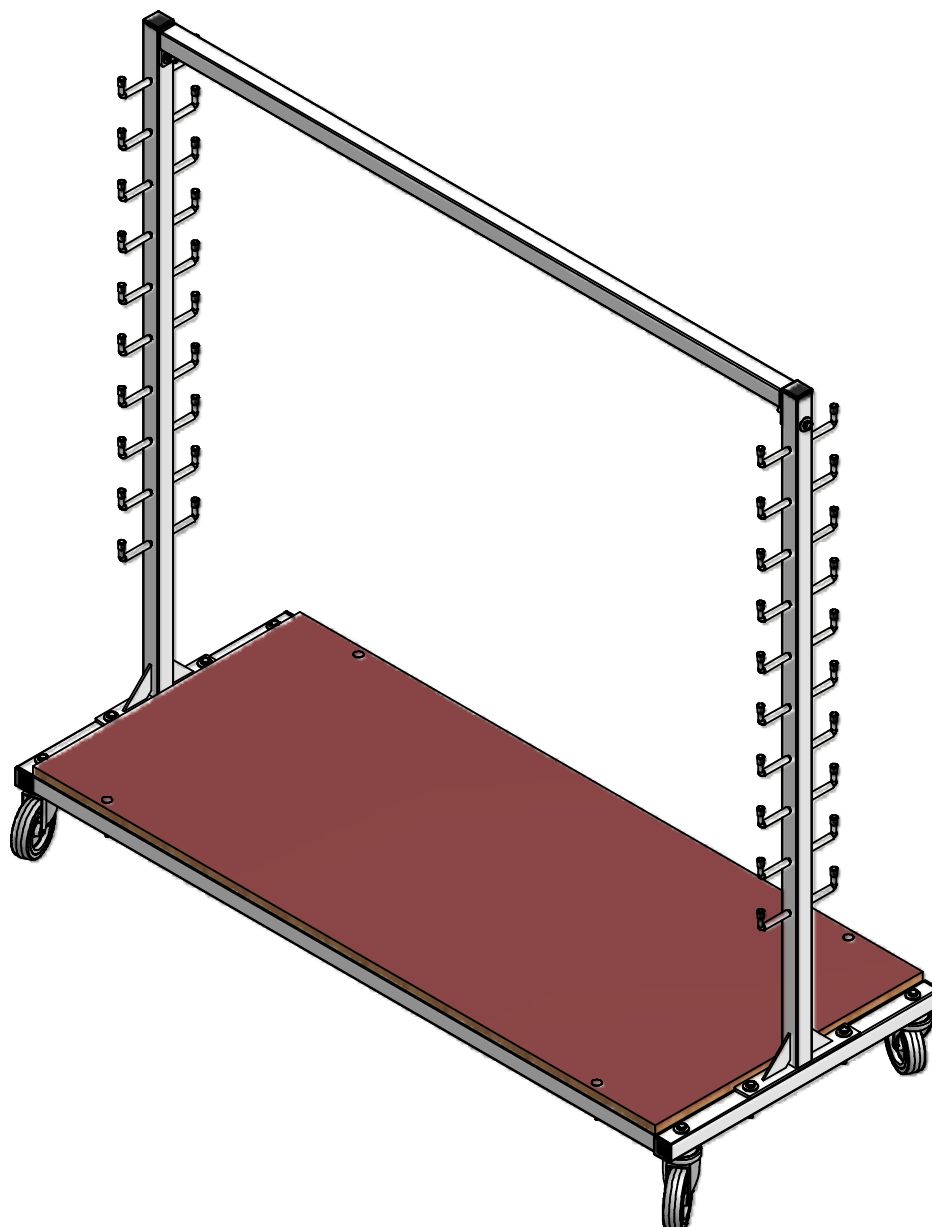
ARTICLE	DESIGNATION	QTE
1	Base of the trolley	1
2	Side of the rack	2
3	Link rode	1
4	Screw TH M8 x 60	6
5	Dished washer Ø8L	12
6	Nut M8	6

### **CAUTION :**

- Indoor use only.
- To store 9 pairs of Badminton posts.
- Maximum weight : 240 kg.

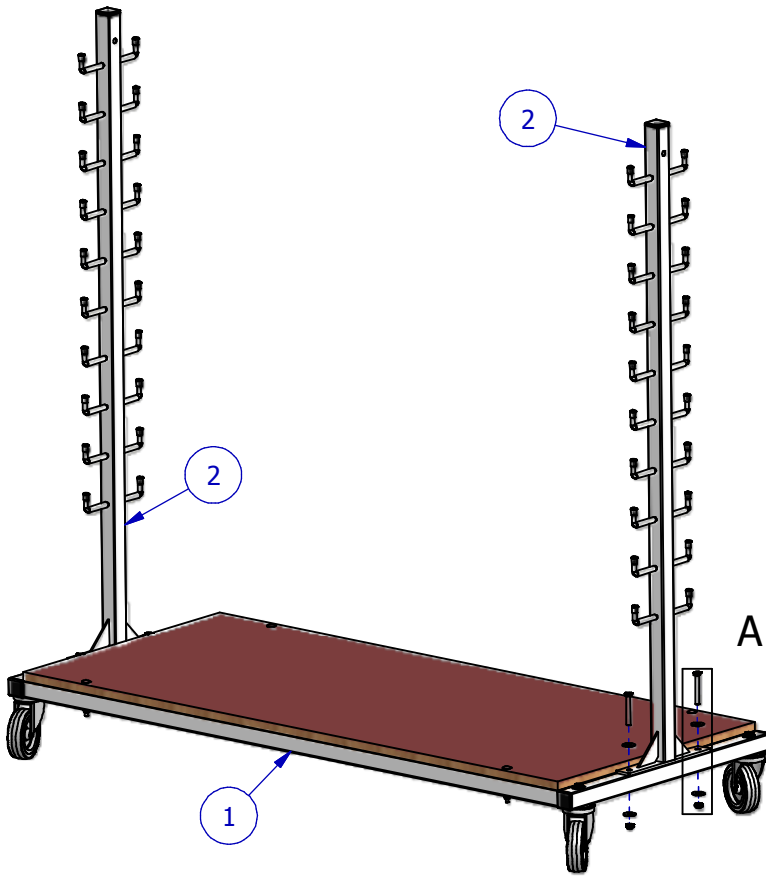
### **MAINTAINANCE :**

- Check solderings.



## Rack trolley for Badminton

**1**



**2**

