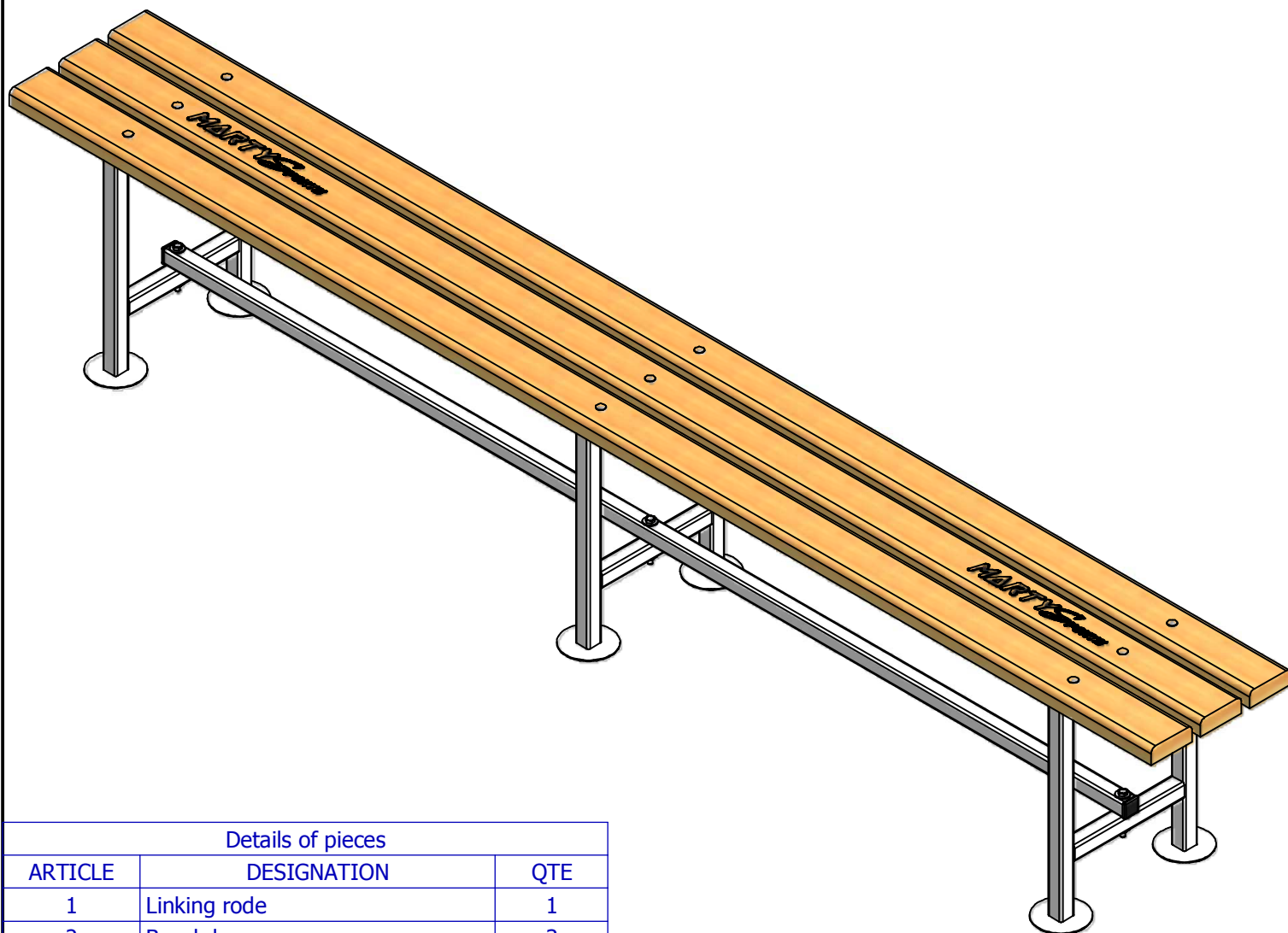


**Spectators bench 2m50 length****CAUTION :**

- Indoor use only.

**MAINTAINANCE :**

- Give a wipe to the bench with a soft duster.
- Check the tightenings.

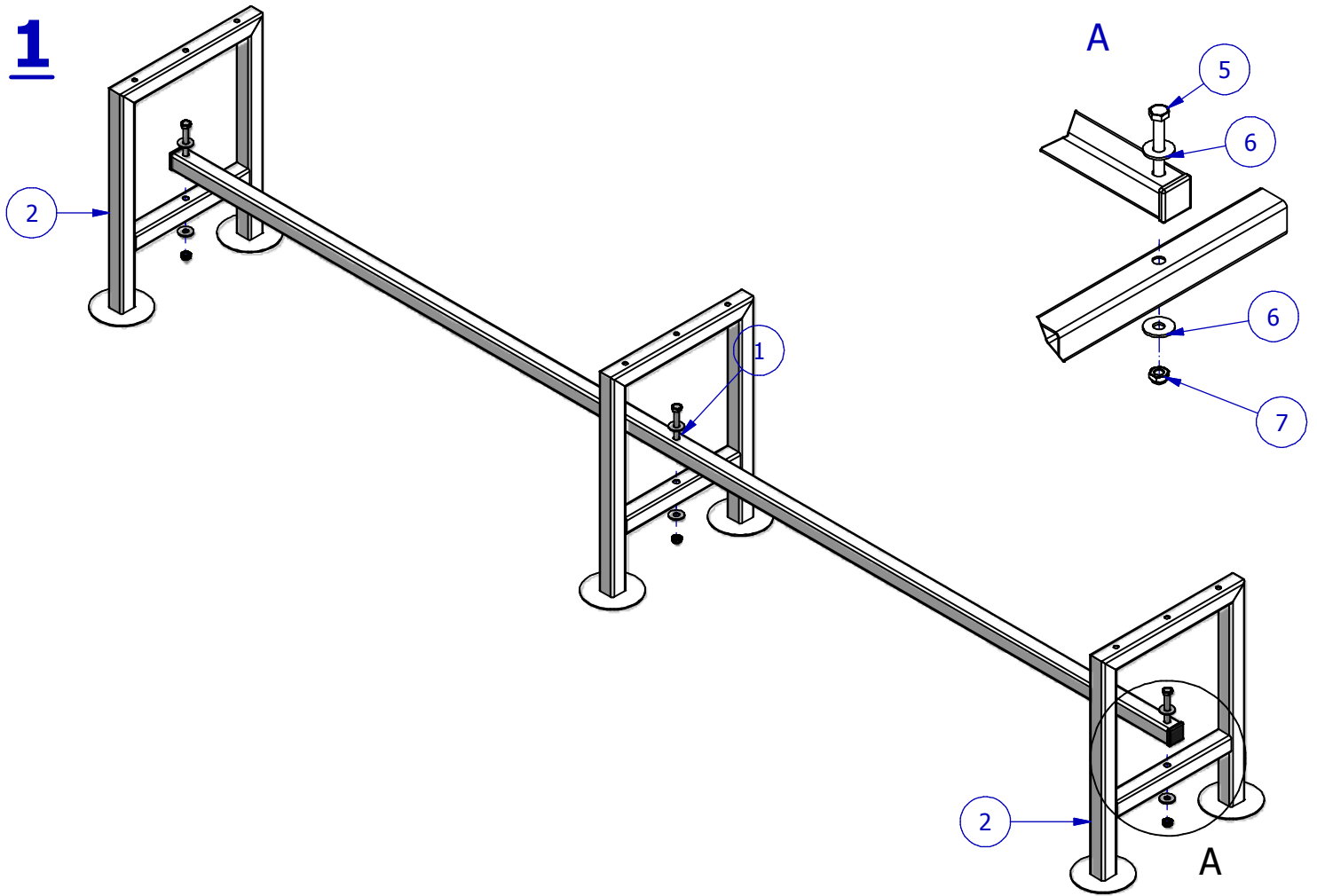


Details of pieces

ARTICLE	DESIGNATION	QTE
1	Linking rode	1
2	Bench legs	3
3	Fir lath 90 x 32	2
4	Fir lath 90 x 32 - Printed	1
5	Screw TH M8 x 70	3
6	Dished washer Ø8L	6
7	Nut M8	3
8	Screw TRCC M6x70	9
9	Dished washer Ø6	9
10	Nut M6	9

## Spectators bench 2m50 length

**1**



**2**

