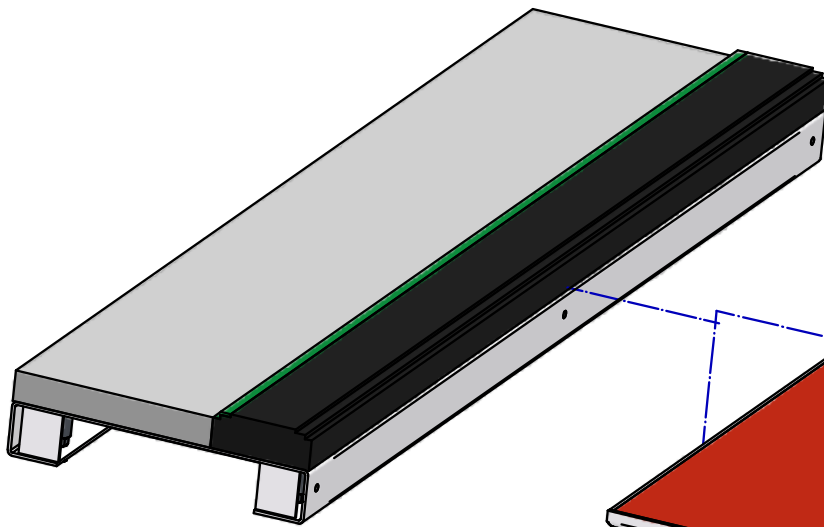


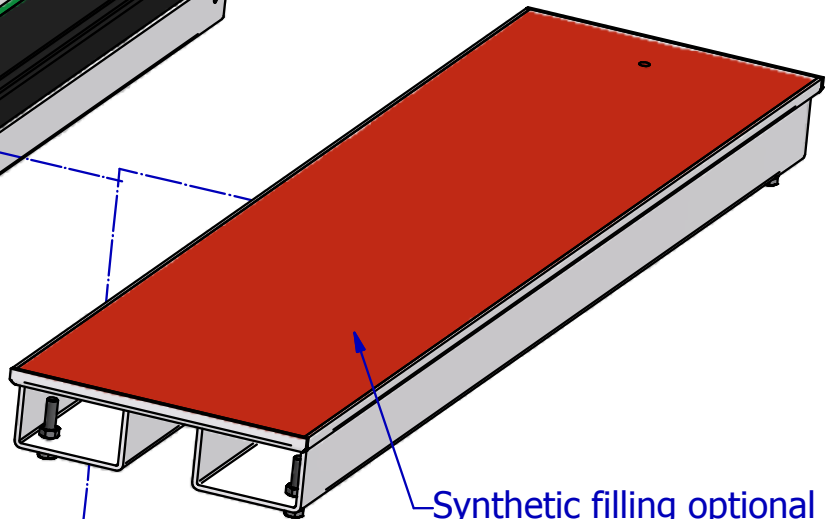
TOP FOR FOUNDATION TRAY FOR COMPETITION

Produit certifié IAAF n° E-06-0441

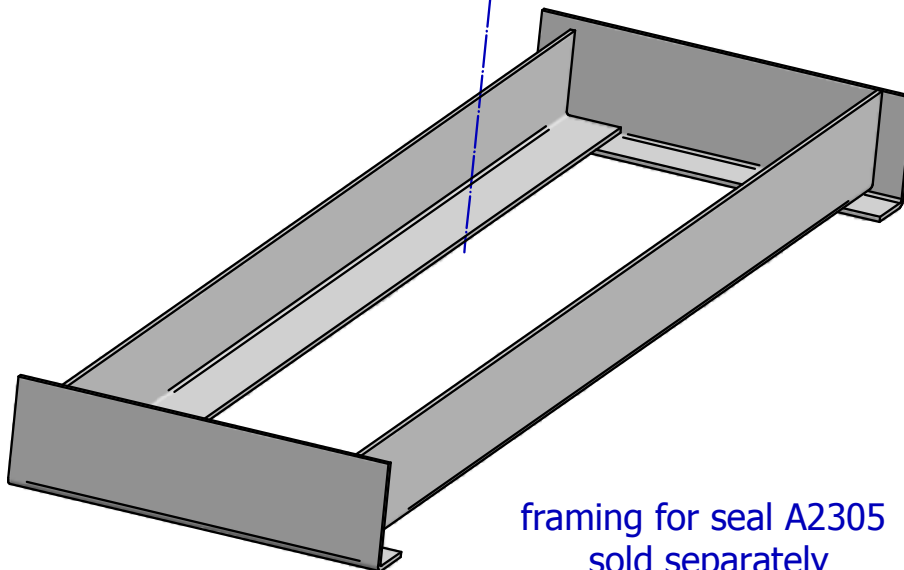
Take-off board A2300
sold separately



Top A2307



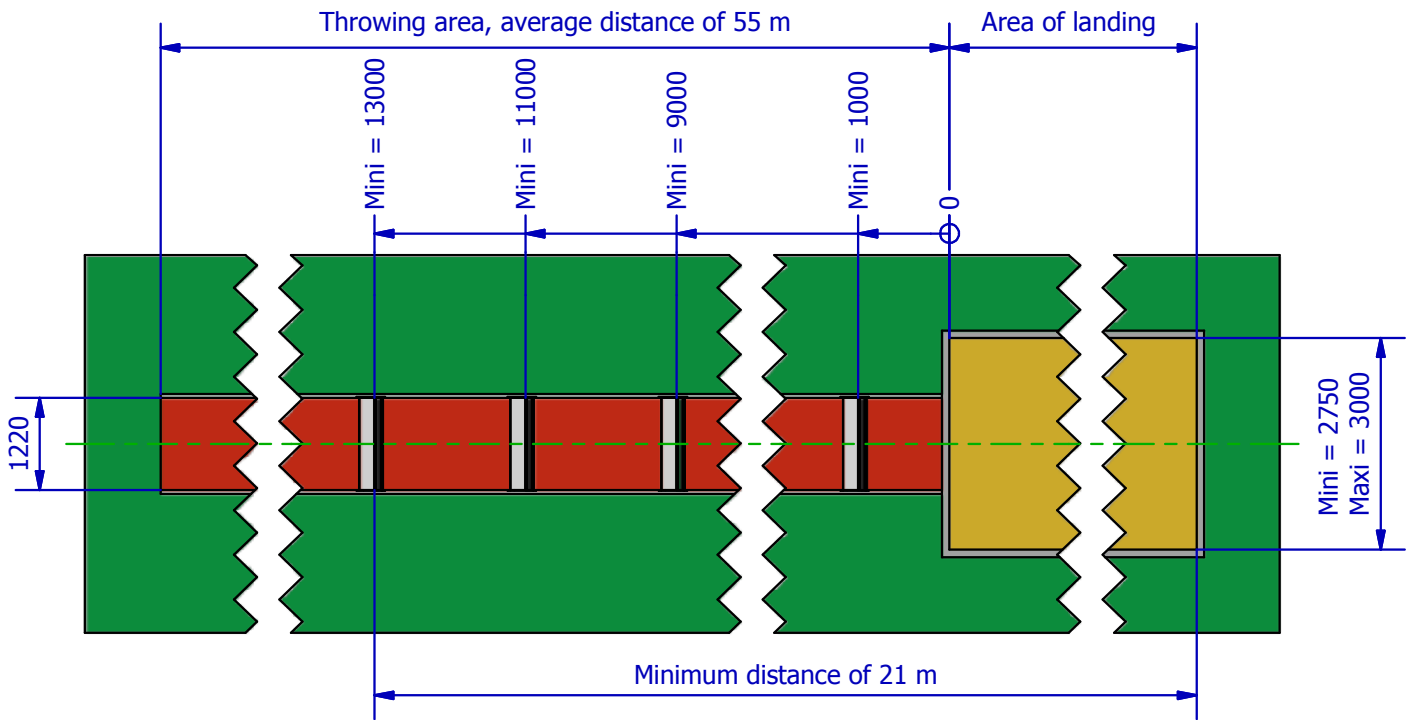
Synthetic filling optional
(réf. MARTY A23092)



framing for seal A2305
sold separately

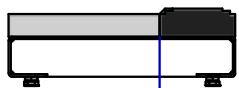
TOP FOR FOUNDATION TRAY FOR COMPETITION

Produit certifié IAAF n° E-06-0441

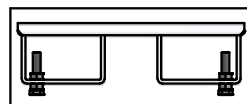


Take-off board A2300
sold separately

Top A2307



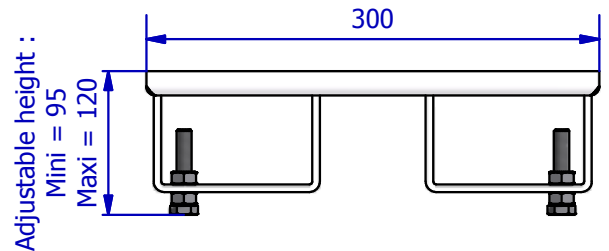
OR



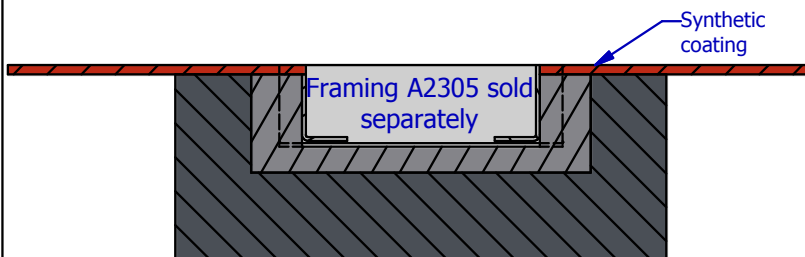
F

F (1 : 5)

Minimum distance from the edge of the reception area:
1000, 9000, 11000, et 13000 mm.



WAY OF THE RACE →



**Couvercle d'encadrement de planche
d'appel compétition**

Produit certifié IAAF n° E-06-0441

International Association of Athletics Federations

**Product
Certificate**

*The IAAF is pleased to certify hereby
that the following product:*

Product's Trade Name: Fixed equipment, Take-off board

Description, Colour / Absolute Thickness: Aluminium, wood, White

Company Name, Country: Marty Sports, FRA

Catalogue Number: A2300/05/07

IAAF Certification Number: E-06-0441

meets the dimensional requirements for use in all international athletics competitions.

It is for the purchaser to determine the item's fitness for the purpose based on his knowledge of the local conditions and use.

Valid from: 1 June 2014

Until the last day of: June 2018

This certificate is issued in accordance with the terms and conditions of the IAAF Certification System of track and field facilities, implements and competition equipment.

ESSAR GABRIEL
IAAF General Secretary

JORGE SALCEDO
IAAF Technical Committee Chairman

