

**ALUMINIUM SENIOR MOBILE GOAL
(THE UNIT)**

Ce produit est conforme à la norme EN 748 et au code du sport décret N°2007-1133 du 24 juillet 2007

Liste de pièces

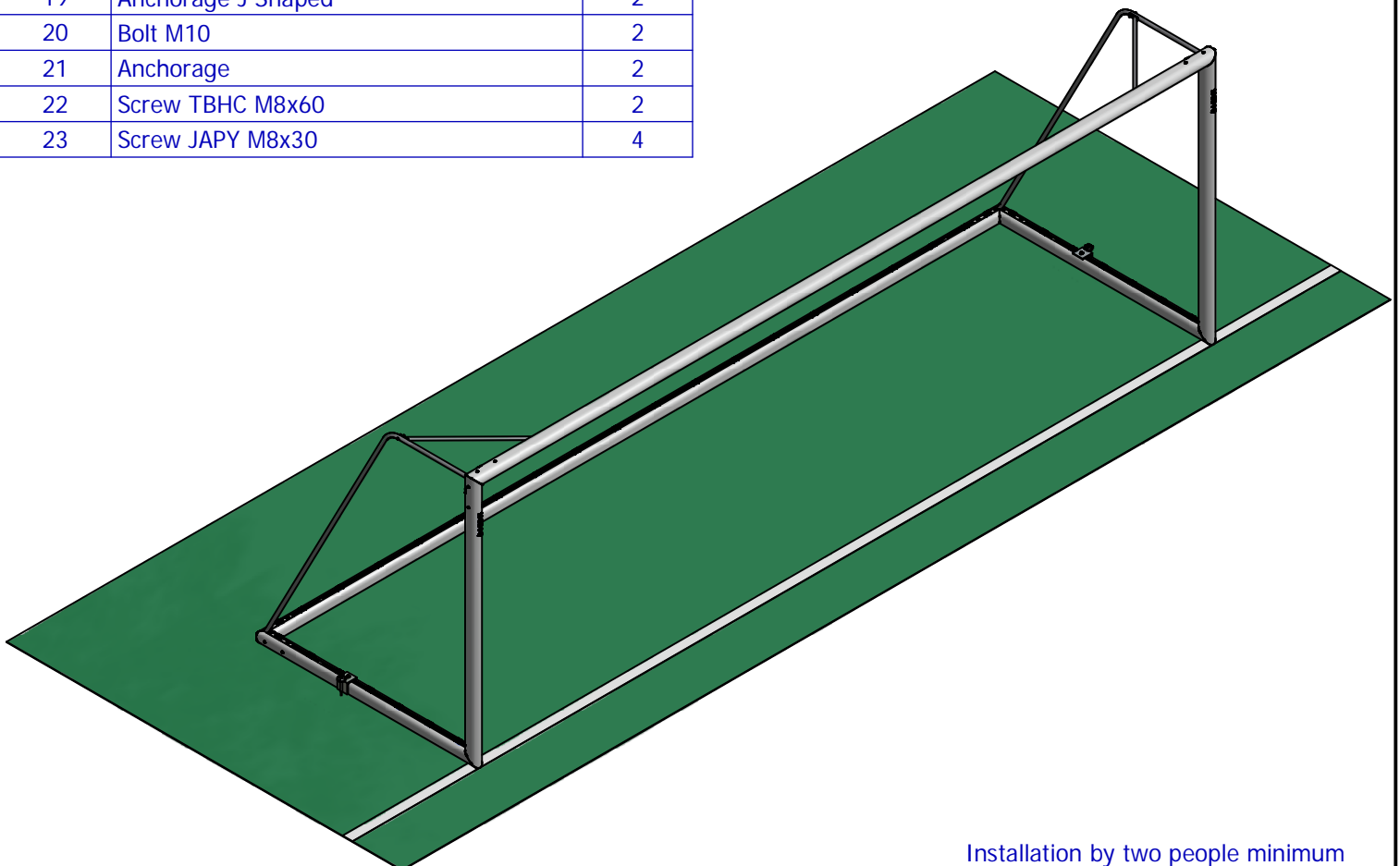
ARTICLE	DESIGNATION	QTE
1	R Post Aluminium Ovoïde 120x100	1
2	L Post Aluminium Ovoïde 120x100	1
3	Ground Aluminium Base R Ovoïde 120x100	1
4	Ground Aluminium Base L Ovoïde 120x100	1
5	Aluminium Ovoïde Crossbar 120x100	2
6	Rubber Junction	4
7	Rubber Junction 2	2
8	Steel Angle	4
9	Steel Angle 2	2
10	R SIDE REINFORCEMENT	1
11	L SIDE REINFORCEMENT	1
12	REINFORCEMENT	2
13	Screw TBHC M8x20	24
14	Washer M8 Z	30
15	Screw TBHC M8x30	16
16	Washer M8 L	18
17	Bolt H M8	6
18	Anchorage Strengthener	2
19	Anchorage J Shaped	2
20	Bolt M10	2
21	Anchorage	2
22	Screw TBHC M8x60	2
23	Screw JAPY M8x30	4

CAUTION :

- Do not hang onto the product, do not swing, or climb.
- Do not use in different purposes than its appropriate use.
- Do not use if not fixed.
- Do not use if not authorized.
- Must be fixed or unusable when stored.

MAINTAINANCE :

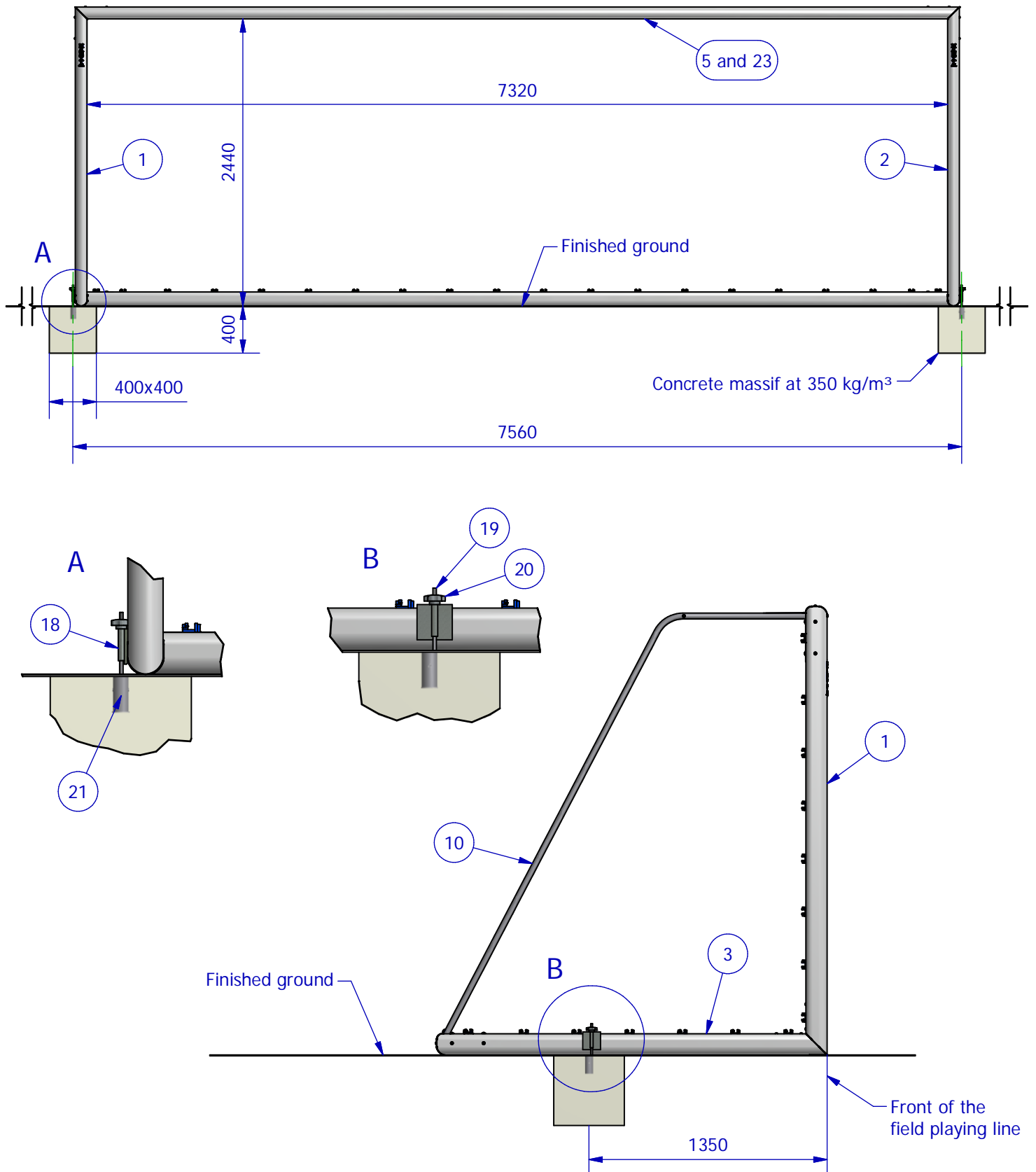
- Check solderings.
- Check tightennings.
- Check the general condition and every 2 or 3 years make a test as per the standard EN748.



Installation by two people minimum

ALUMINIUM SENIOR MOBILE GOAL (THE UNIT)

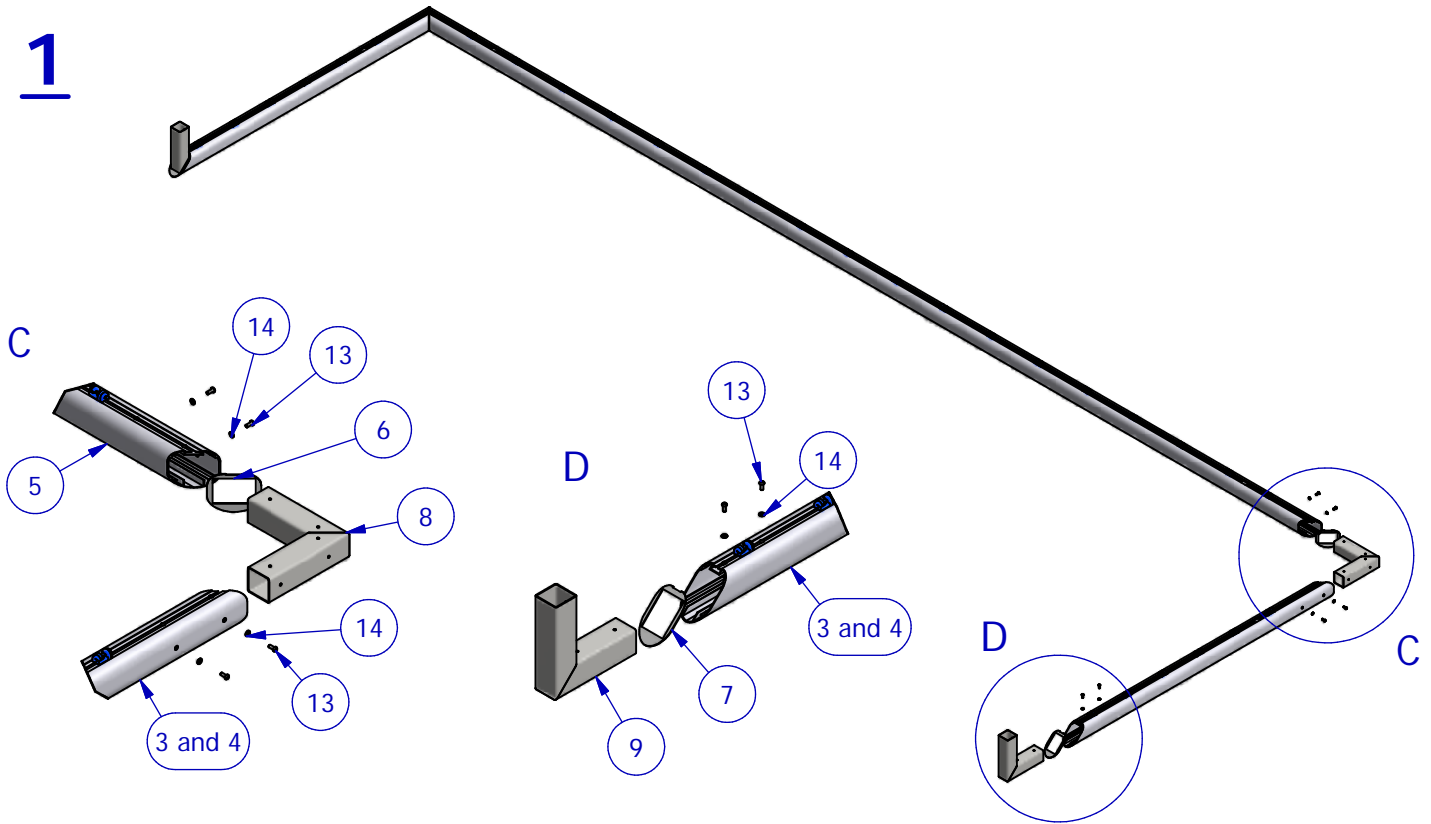
Ce produit est conforme à la norme EN 748 et au code du sport décret N°2007-1133 du 24 juillet 2007



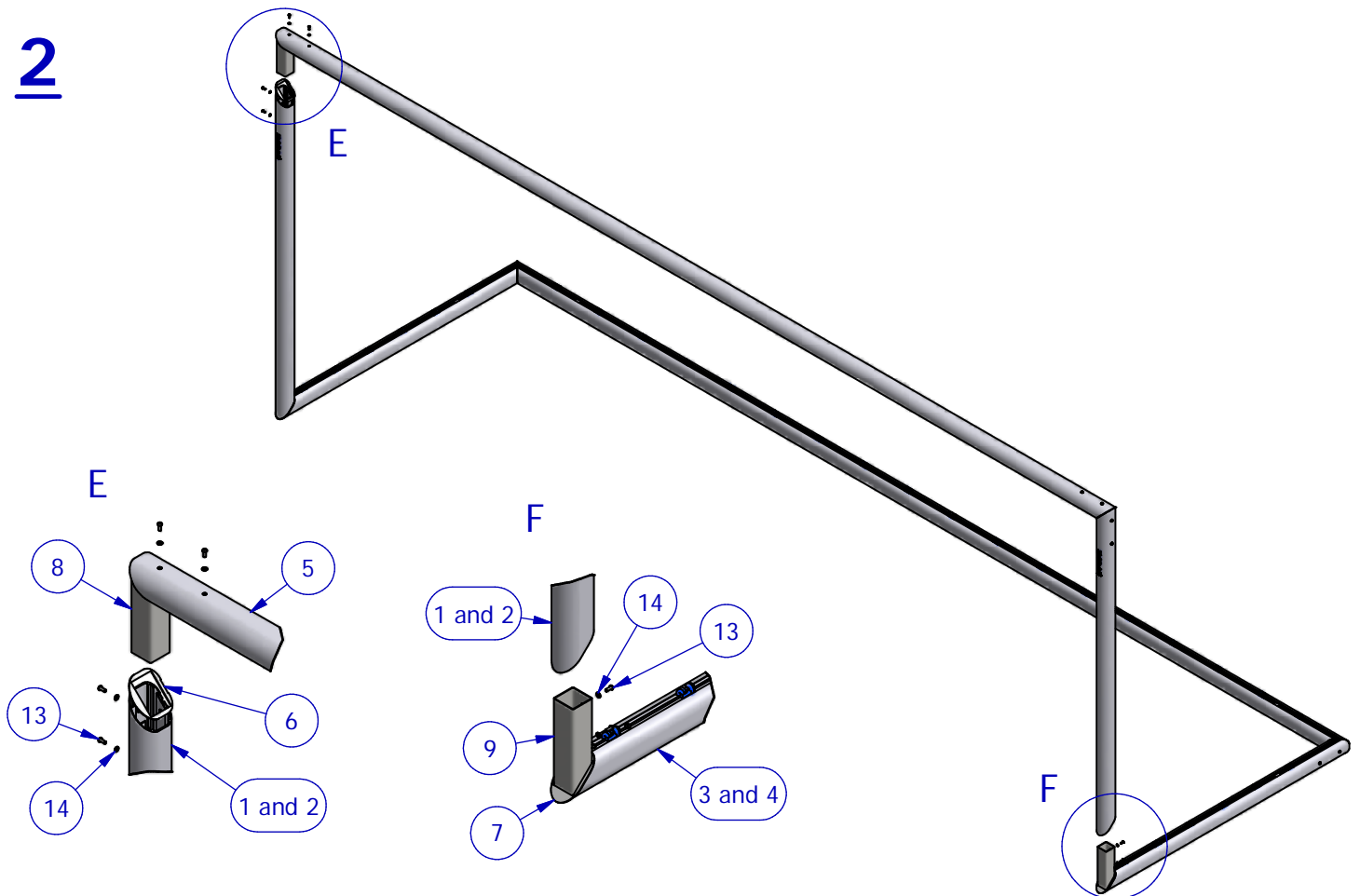
ALUMINIUM SENIOR MOBILE GOAL (THE UNIT)

Ce produit est conforme à la norme EN 748 et au code du sport décret N°2007-1133 du 24 juillet 2007

1



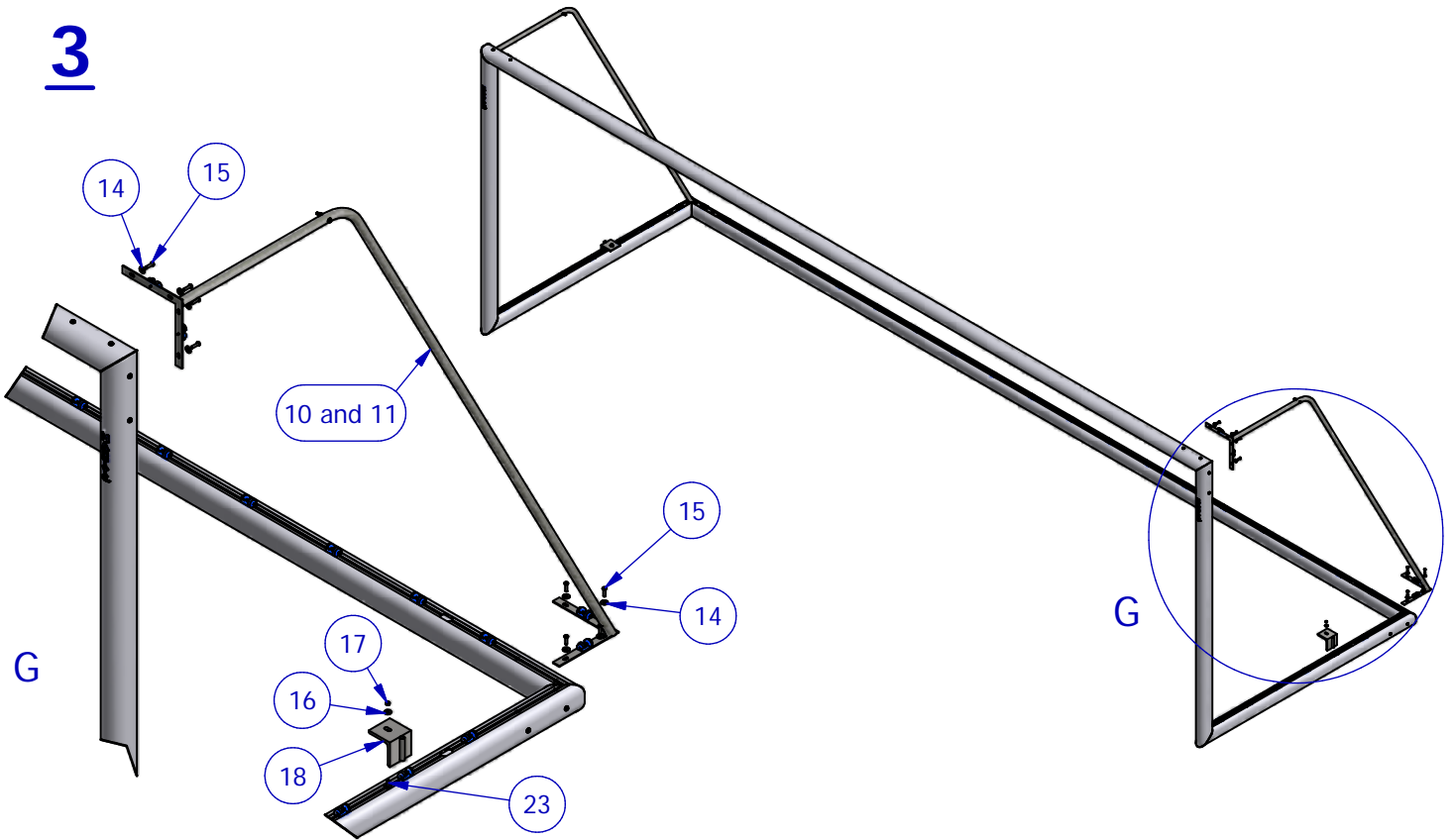
2



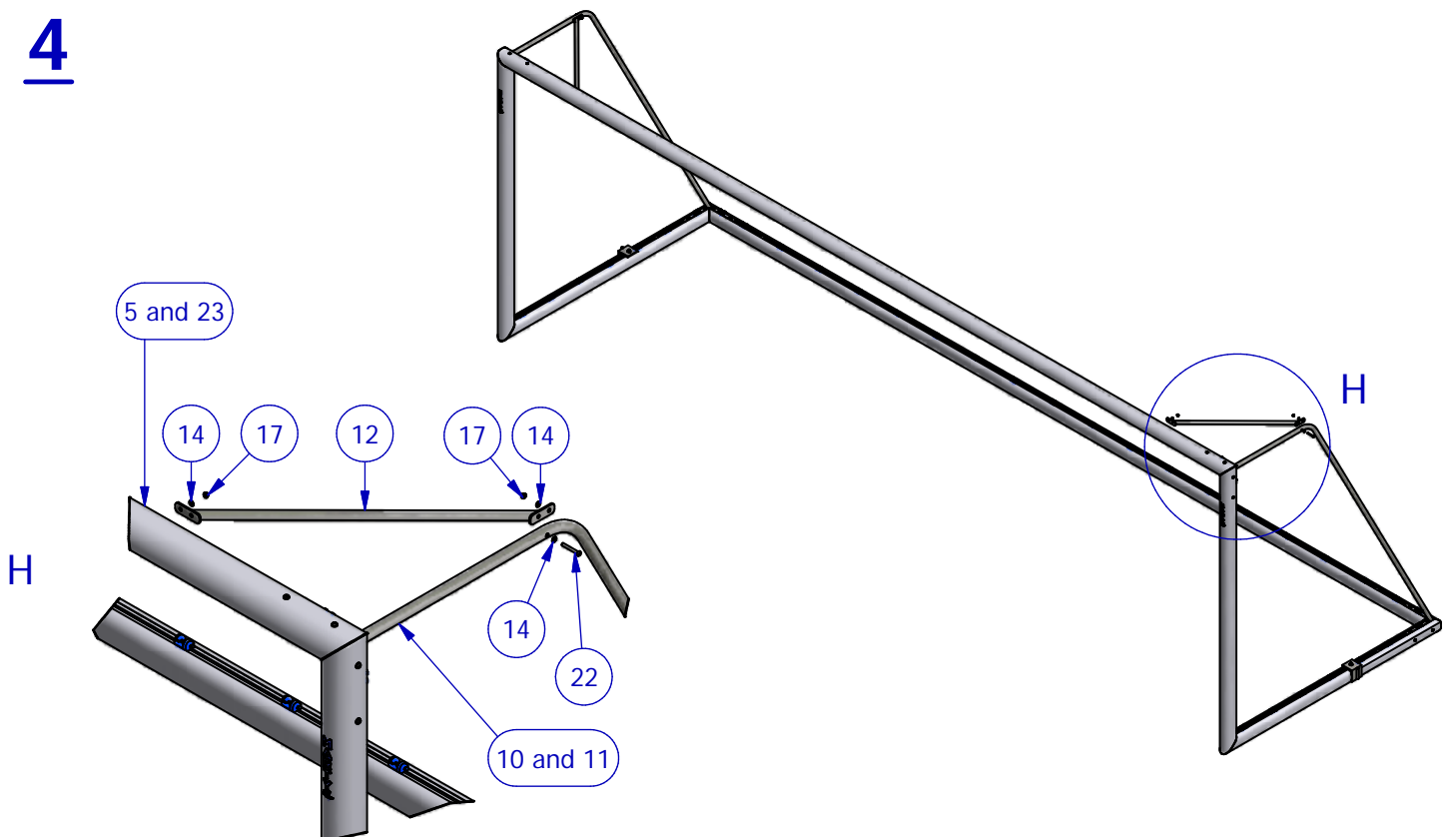
ALUMINIUM SENIOR MOBILE GOAL (THE UNIT)

Ce produit est conforme à la norme EN 748 et au code du sport décret N°2007-1133 du 24 juillet 2007

3



4



**ALUMINIUM SENIOR MOBILE GOAL
(THE UNIT)**

Ce produit est conforme à la norme EN 748 et au code du sport décret N°2007-1133 du 24 juillet 2007



Au service du Sport et des Loisirs

Cras, le 10th of April 2009

MARTY
Route de la Meignanne
BP10
49370 – St CLEMENT de la PLACESubject: Safety Certificate up to Standard NF EN 748
and to Decree n°96-495 dated 1996 June 4th /
Football Goal F8050**SAFETY CERTIFICATE FOOTBALL GOAL**

Ref F8050 according to standard NF EN 748 / Decree 96-495

NF EN 748: (extension of Decree according to Notice NOR/ECOC9800163V – Official Bulletin dated 1998 December 19th)

Requirement for the standard

SCMS Europe notice

TYPE: 1 or 2

- 3-3: Protection against corrosion (enclosed certificate) :		Favourable
- 3-4-1: - Section of uprights and crossbar identical:		Favourable
- White colour or natural colour light metal:		Favourable
- 4-1: Angles and edges – radius at least equal to 3mm:		Favourable
- 4-2: No space underneath ground frame:		Favourable
- 4-5: Net fixing hooks opened < or = 5mm:		Favourable
- 4-6: Jamming (according to NF EN 1176-1)		Favourable
- 5-2: Resistance:		
Vertical strength of 1800N (middle of the crossbar during 1'):		
Bending under the load	280mm	
Measure after the release / bending at a test +30'	3mm	Favourable
- 5-3: Stability:		
Horizontal strength of 1100N (middle of the crossbar during 1'):		
Bending after release	0mm	Favourable
- 5-4: Resistance of net hooks:		
Horizontal strength of 1100N in goal's middle at 1m underneath the crossbar during 10' :		
Breaking of bending	0mm	Favourable
- 6: Assembling instructions:		Favourable
- 7: Warning stick-on labels:		Favourable
- 8: Marking (brand/standard NO/year/warning/decreree 96-06-04)		Favourable

Tests Buts

Diagnostics

Kit de test

Formations

Conseils

www.scms-e.com83 Chemin de Chassagne
01 340 CRAS (France)Tél. 00 33 (0) 4 74 30 96 88
Fax. 00 33 (0) 4 74 30 96 89
contact@scms-e.comExpert mandaté AFNOR
Auprès du CEN pour la FranceIntervenant CNFPT
Organisme de Formation

Déclaré au Ministère N°82 01 00787 01

Sport Soft
sécurité**Sport Soft**
planning