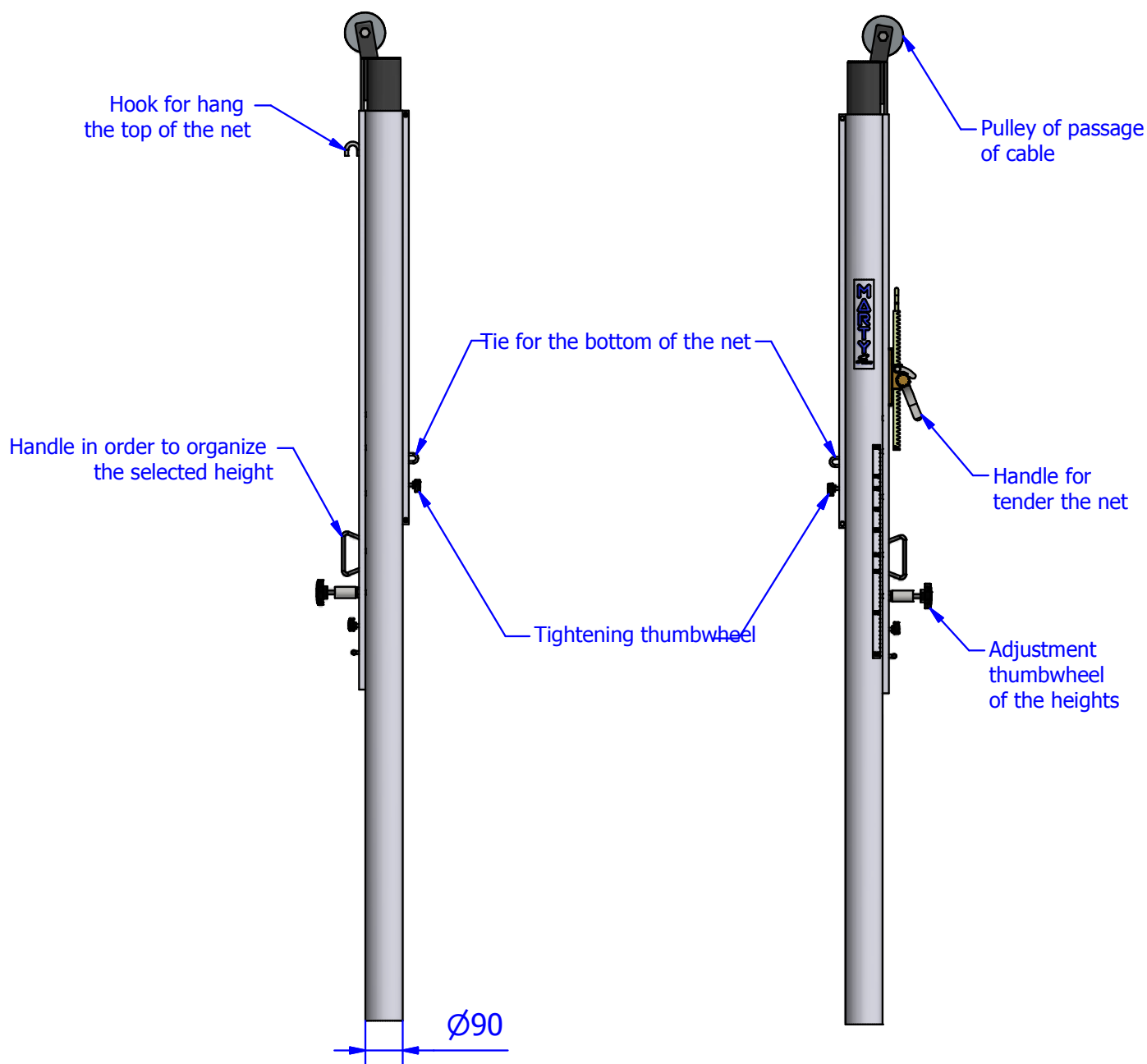


**Telescopic high competition
Upright****INSTRUCTIONS OF USES :**

- Place the posts in the n90mm sleeves.
- Install the net on the posts
- Set up the adjustment wheel to the desired height with the thumb wheel adjustment. Check that the thumb wheel is in the initial position after the adjustment.
- Tender the net with the handle.

MAINTENANCE : (Periodic)

- Check the welds.
- Check the tightening

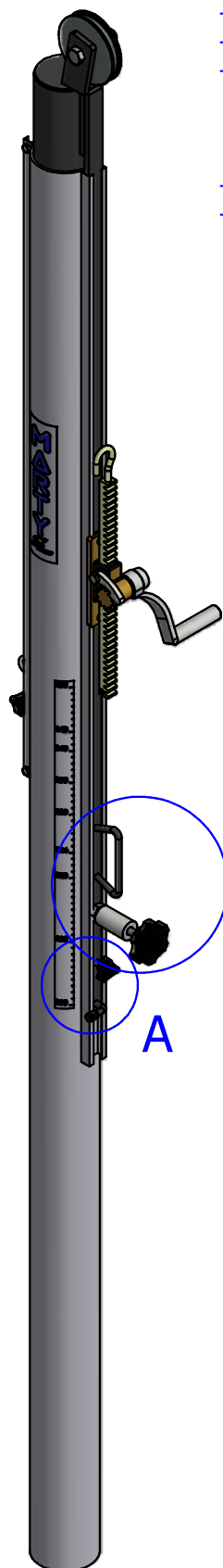
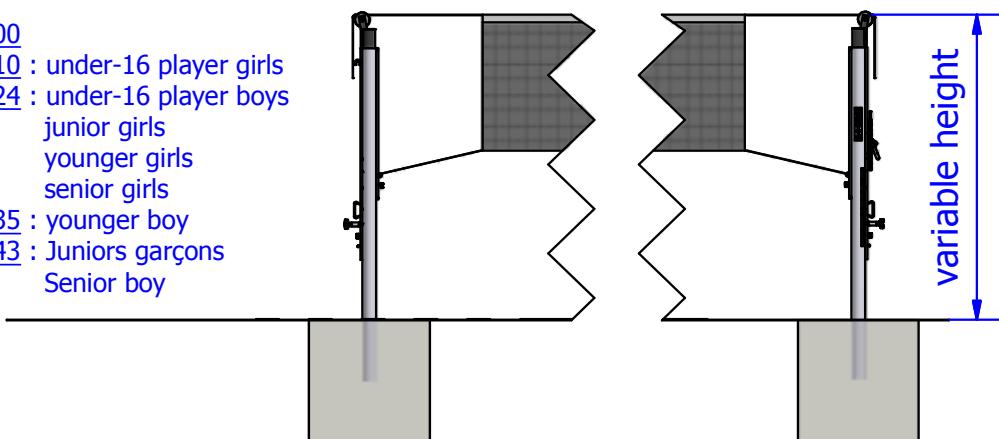


Telescopic high competition Upright

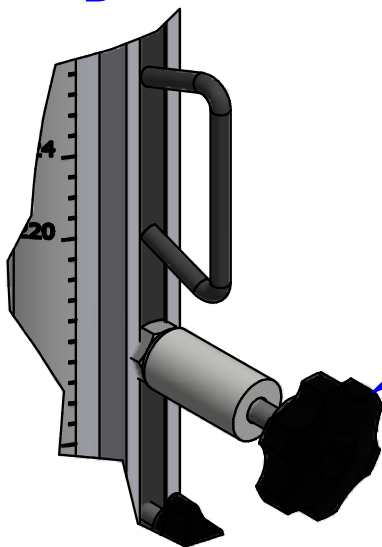
1 Details :

Different heights possible:

- 2m00
- 2m10 : under-16 player girls
- 2m24 : under-16 player boys
junior girls
younger girls
senior girls
- 2m35 : younger boy
- 2m43 : Juniors garçons
Senior boy



B

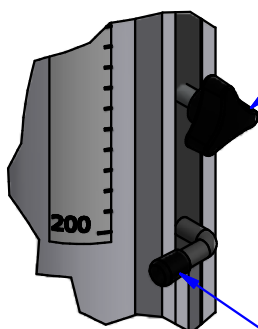


To adjust the height, pull on the thumbwheel, then place the height indicator in front of the desired height and loosen the thumbwheel.

B

A

A



Squeeze this thumbwheel, after have blocked the height with the adjustment thumbwheel of heights.

Place the indicator to the desired height; then block it with the adjustment thumbwheel.

Telescopic high competition Upright

2 Establishment :

