

Mini steeplechase hurdle for training**DESCRIPTION :**

- 1m50 length.
- Wooden beam that will keep its shape of a 12,7 x 12,7 cm section. Yellow lacquered with blue strips.
- Galvanised steel frame that can be dismantled for storage.
- Wheels for moving integrated .

INSTRUCTIONS FOR USE :

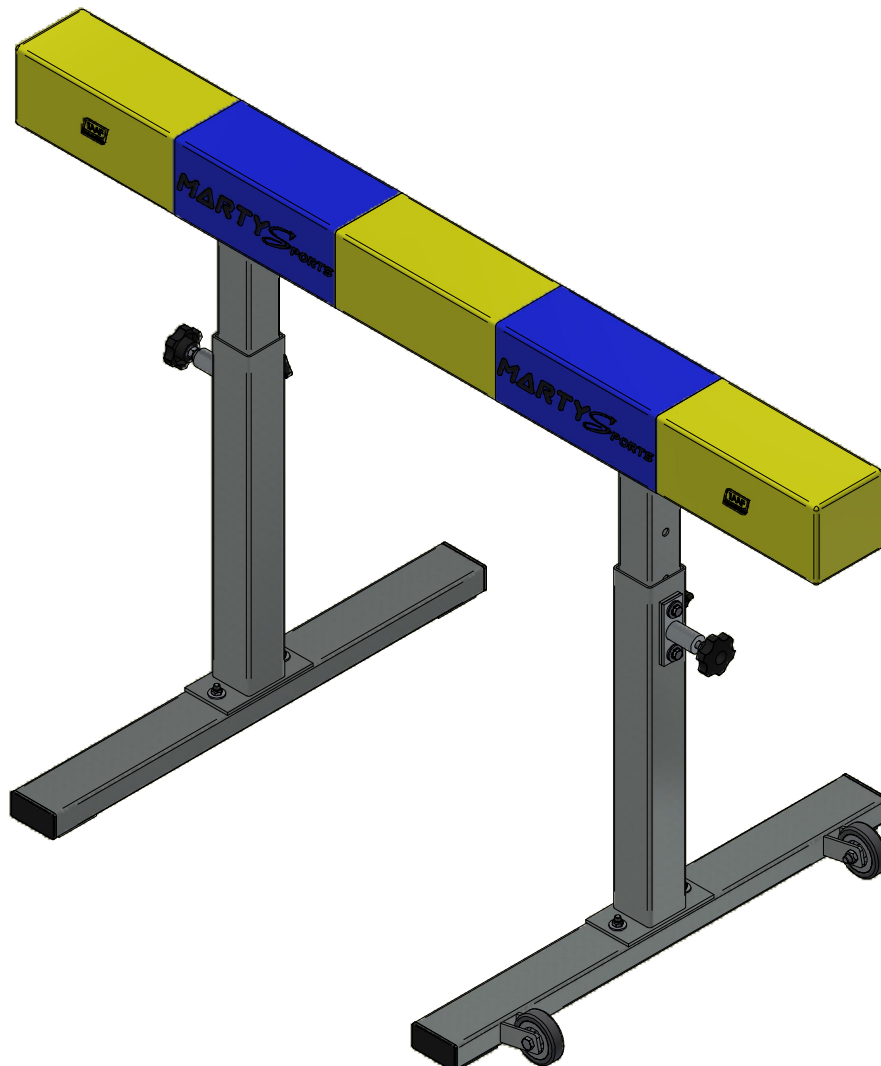
- Product for training purposes only.
- Adjust the height of the beam (914mm for Senior and U20 men, or 838mm for U18 men, or 762mm for women).

MAINTENANCE : (Périodic)

- Check the general condition of the product.

Liste de pièces

ARTICLE	DESIGNATION	QTE
1	Left foot	1
2	Right foot	1
3	Simple foot	1
4	Foot with wheels	1
5	Vis Poelier 8x60	4
6	Flat washer Ø8L	4
7	Lock nut M8	4



Mini barrière de steeple pour l'entraînement

