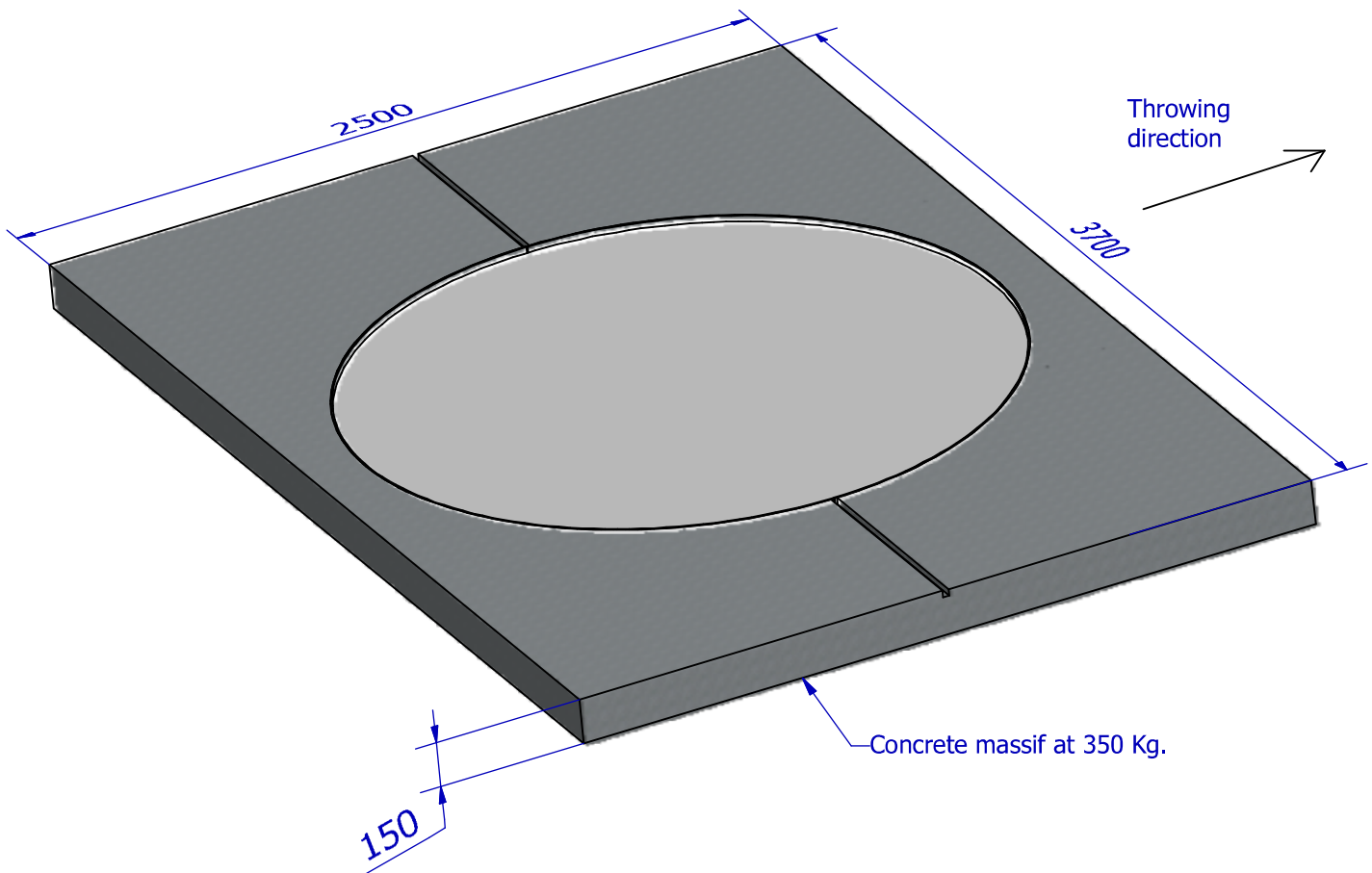


**Hammer & discus throwing circle Ø2135
to embed**

Product certified IAAF N° E-06-0440

CAUTION :

- Do not use in different purposes than its appropriate use.
- Do not use if not authorized.

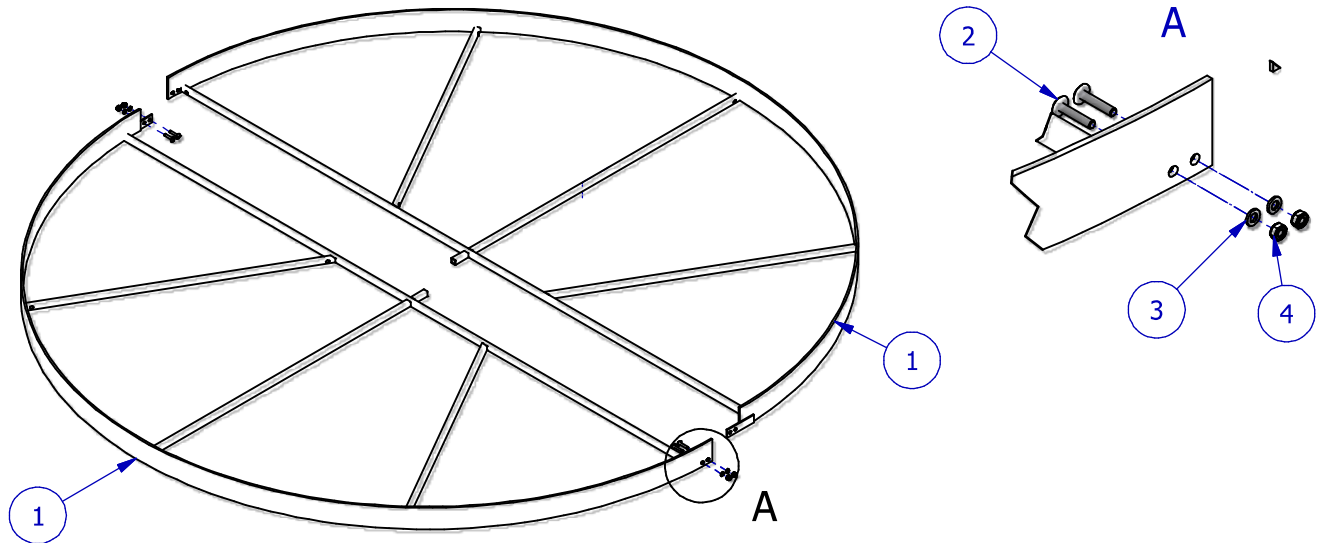
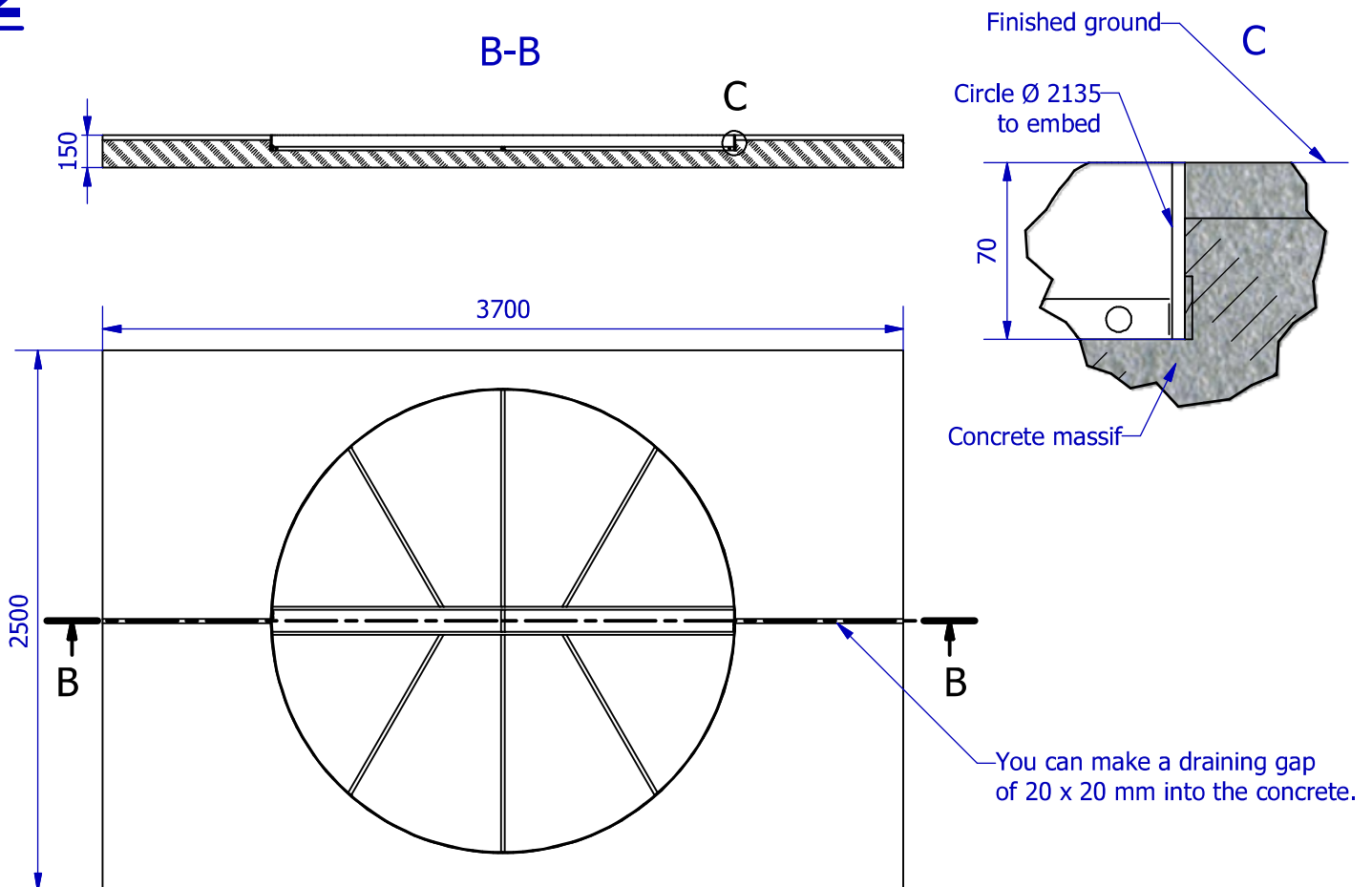


Liste de pièces

ARTICLE	DESIGNATION	QTE
1	1/2 shot/hammer circle of Ø2m135	2
2	Screw M6 x 30	4
3	Washer Ø6 L	4
4	Bolt M6	4

Hammer & Discus throwing circle Ø2135 to embed

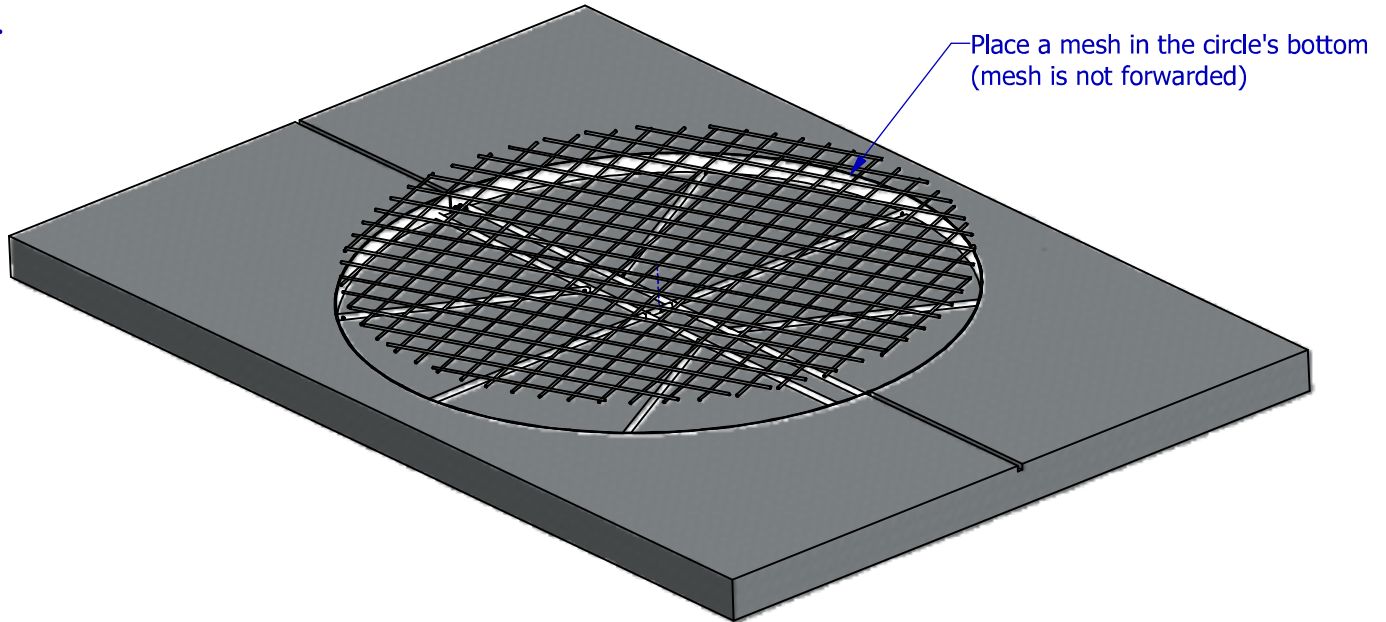
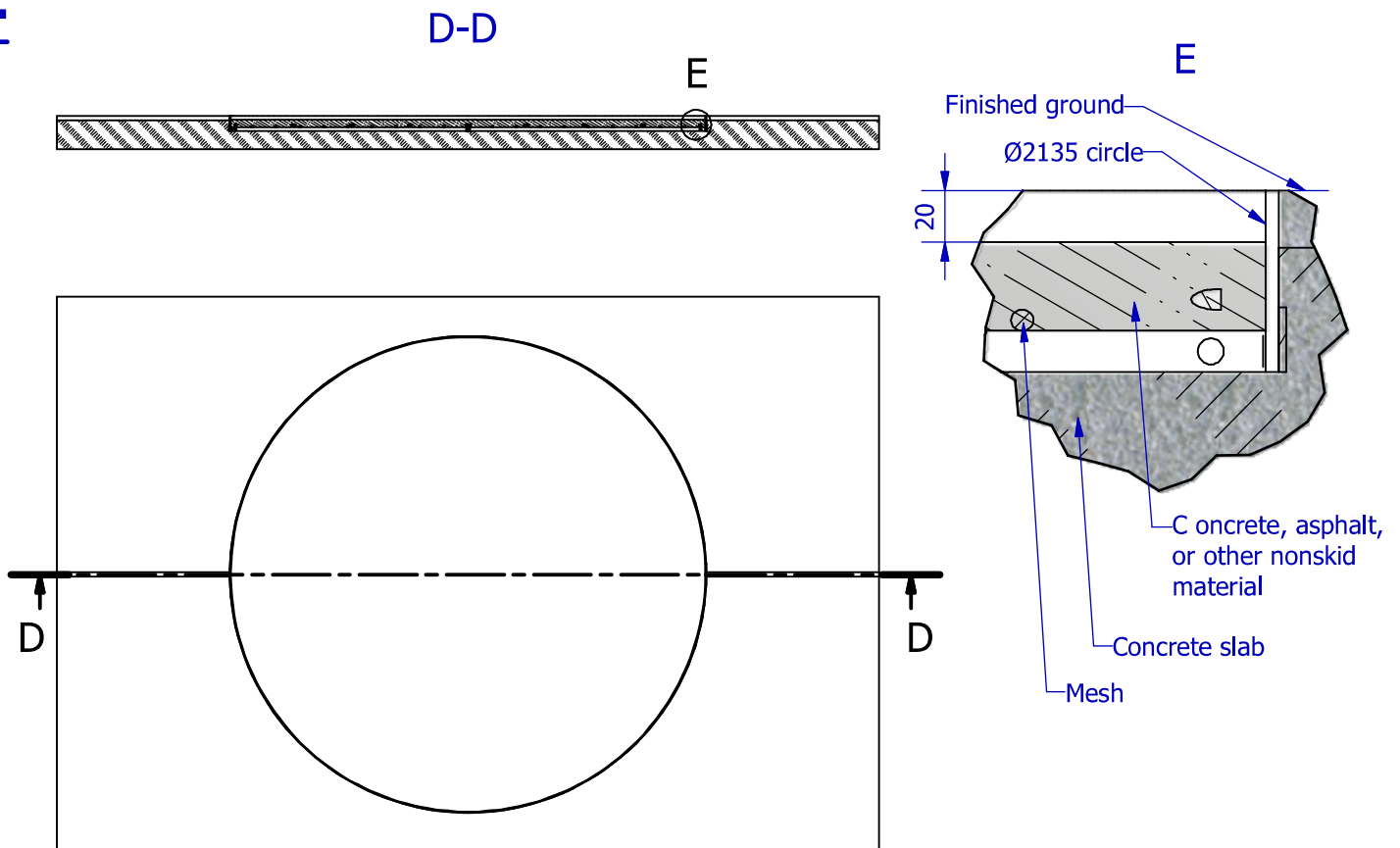
Product certified IAAF N° E-06-0440

1**2**

Embed the circle into a concrete massif at 350 kg.
Connexion in between both half circles must be on the same lines as the draining gap.
Circle must make flush to the concrete in its upper part.

**Hammer & Discus throwing circle Ø2135
to embed**

Product certified IAAF N° E-06-0440

3**4**

After mesh has been installed, fill the circle up, with concrete, till you have a flat surface at 20mm from the upper part of the circle