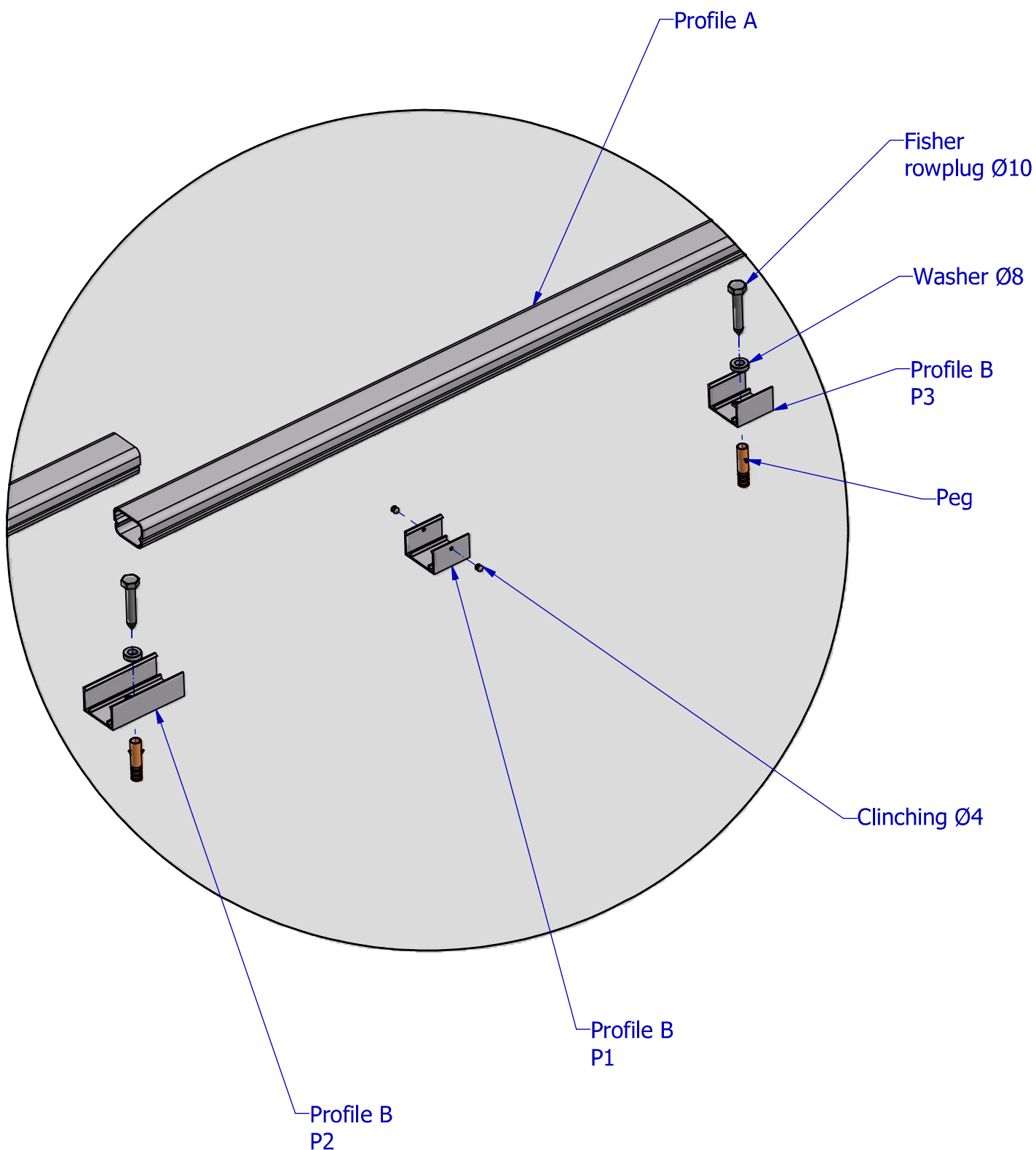
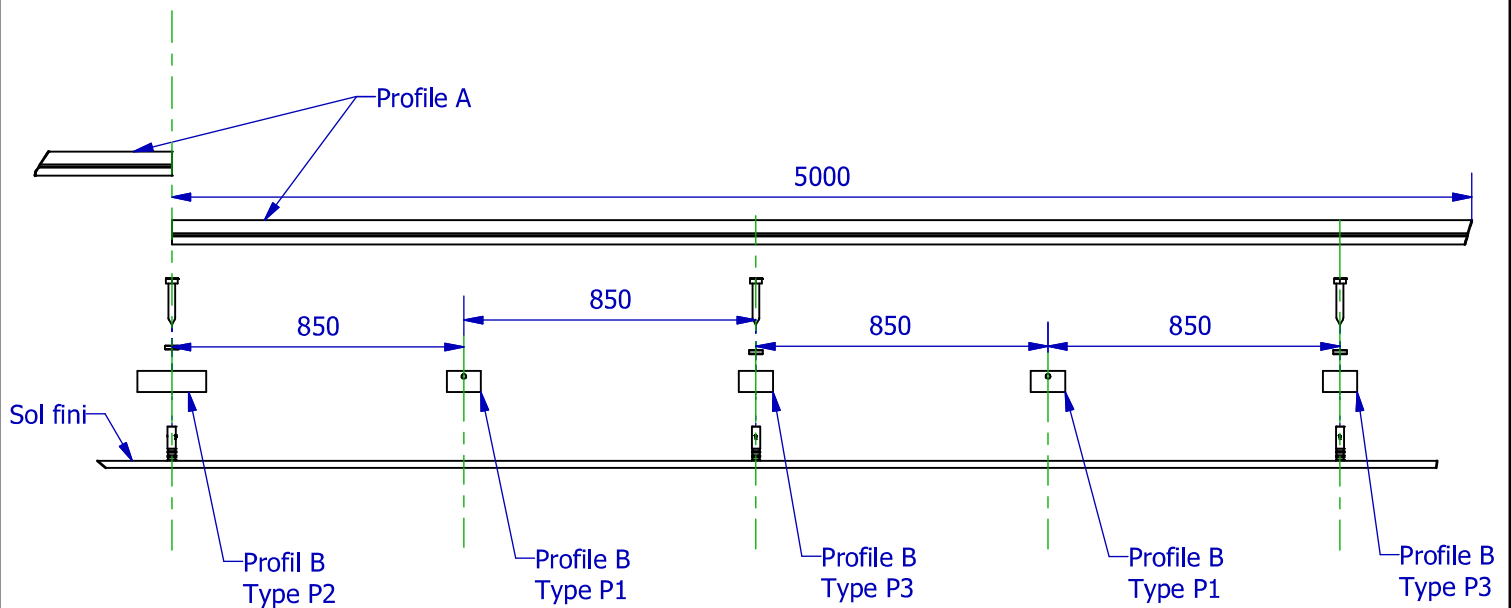


Aluminium kerb for Track



Aluminium kerb for Track

Piece 1 (Profile B, type P1) --> 3 fixed pieces joining the profil A by means of clinching.

Piece 2 (Profile B, type P2) --> 2 pieces anchored to the floor with fisher rawplugs, to join 2 consecutives stretches.

Piece 3 (Profile B, type 3) --> 3 intermediate pieces to reinforce the kerb anchorage to the floor. They are fixed by means of fisher rawpulg.

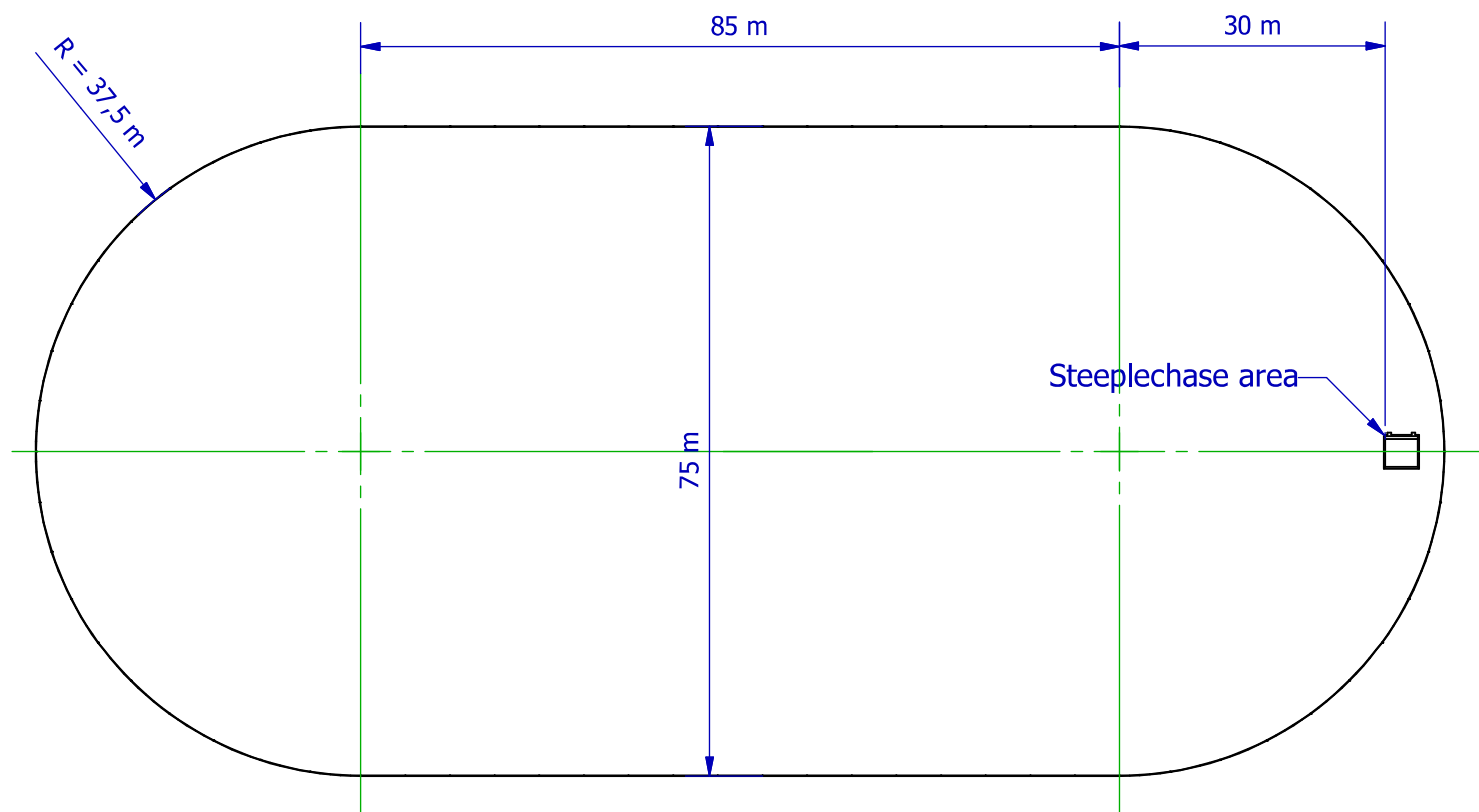
N.B. = These 3 pieces are made with profile B.

Aluminium kerb for Track**Dimensions of a conventional kerb**

450 metres, radius of the bends = 37,5 m.

Curved stretches --> 46 + 4 for the steeplechase area.

Straight stretches --> 34 + 5 for the steeplechase area + 1 as spare part.



Product Certificate

*The IAAF is pleased to certify hereby
that the following product:*

Product's Trade Name:

Fixed equipment, Track kerb

Description, Colour / Absolute Thickness:

Aluminium, Aluminium

Company Name, Country:

Marty Sports, FRA

Catalogue Number:

A4910/A4911/A4910A/A4911A

IAAF Certification Number:

E-07-0506

meets the dimensional requirements for use in all international athletics competitions.

It is for the purchaser to determine the item's fitness for the purpose based on his knowledge of the local conditions and use.

Valid from:

1 December 2015

Until the last day of:

December 2019

This certificate is issued in accordance with the terms and conditions of the IAAF Certification System of track and field facilities, implements and competition equipment.



SEBASTIAN COE
IAAF President



JORGE SALCEDO
IAAF Technical Committee Chairman

