

Mobile Steeplechase Hurdle 3m96

Produit certifié IAAF N° E-00-0236

INSTRUCTIONS OF USES :

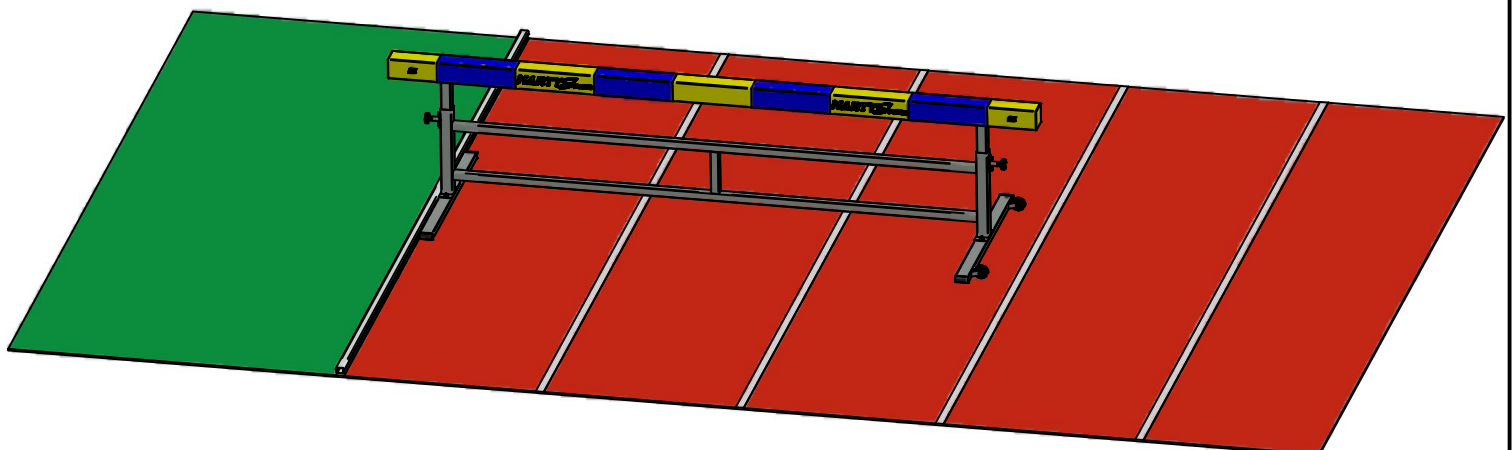
- Select the height of the beam: (914 for men senior and U20, or 838 for men U18, or 762 for women).
- Set up the barrier (3 for IAAF regulated stadiums) on the track at the indicated point.
- Finish blocking the barrier with the "small" clamping scroll wheels

MAINTENANCE : (Periodic)

- Check the general condition of the product before it use.

List of pieces

ARTICLE	DESIGNATION	QTE
1	Barrier of steeplechase 3m96	1
2	foot simple	1
3	foot with casters	1
4	screw with wide head round 8x60	4
5	Flat washer Ø8L	4
6	Brake nut M8	4

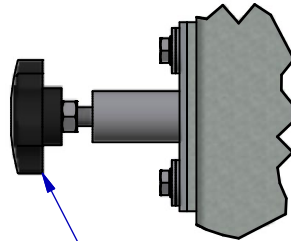


Mobile Steeplechase Hurdle 3m96

Produit certifié IAAF N° E-00-0236

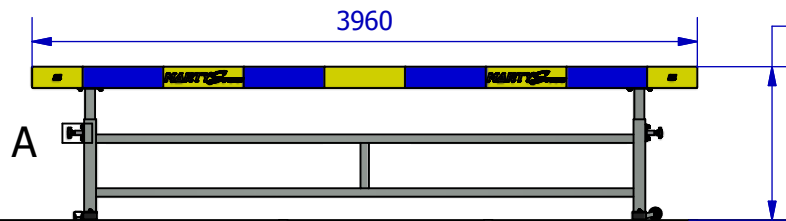
1- Setting up

A

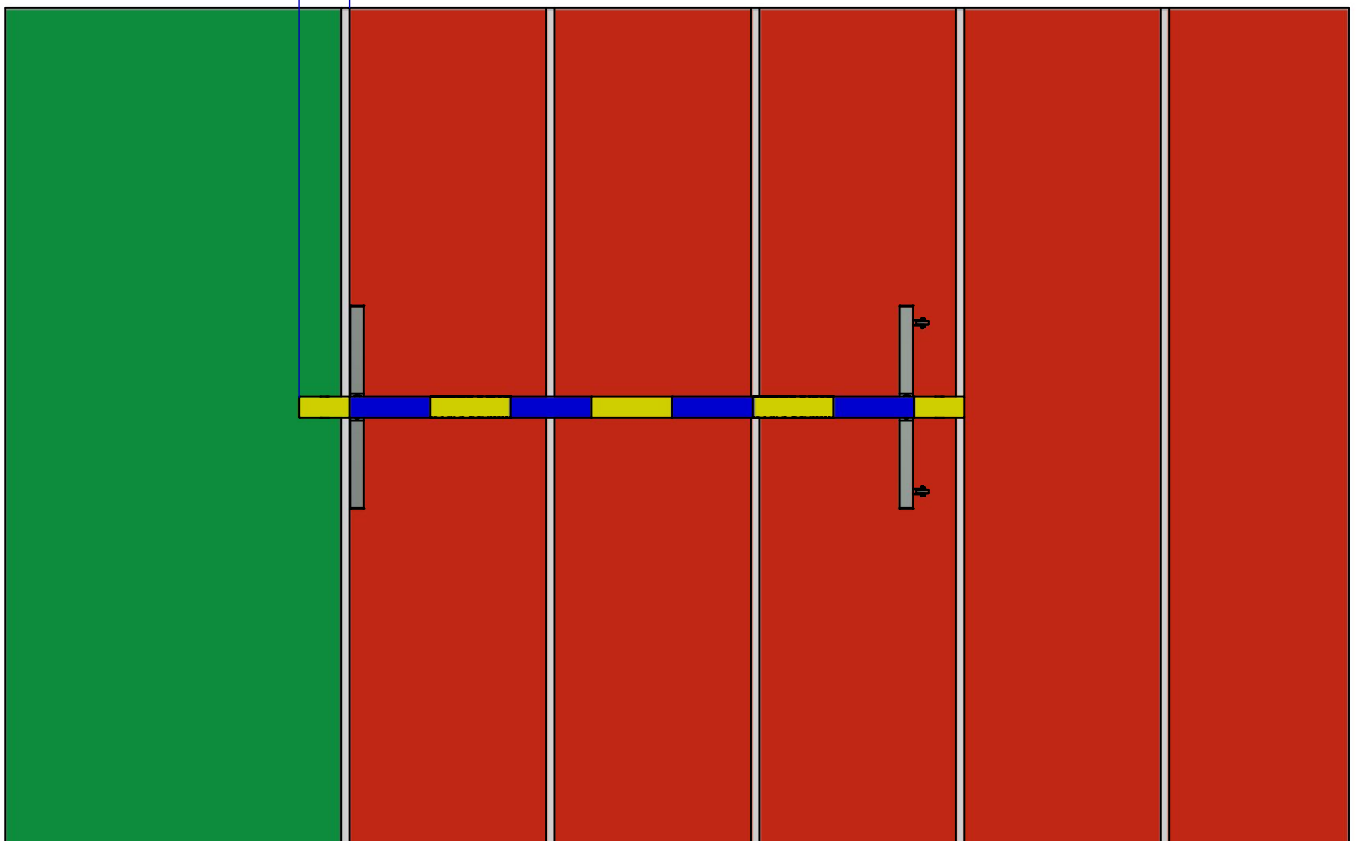


Finger of indexing to pull
for the height adjustment

Men Senior/U20= 914
Men U18= 838
Women = 762



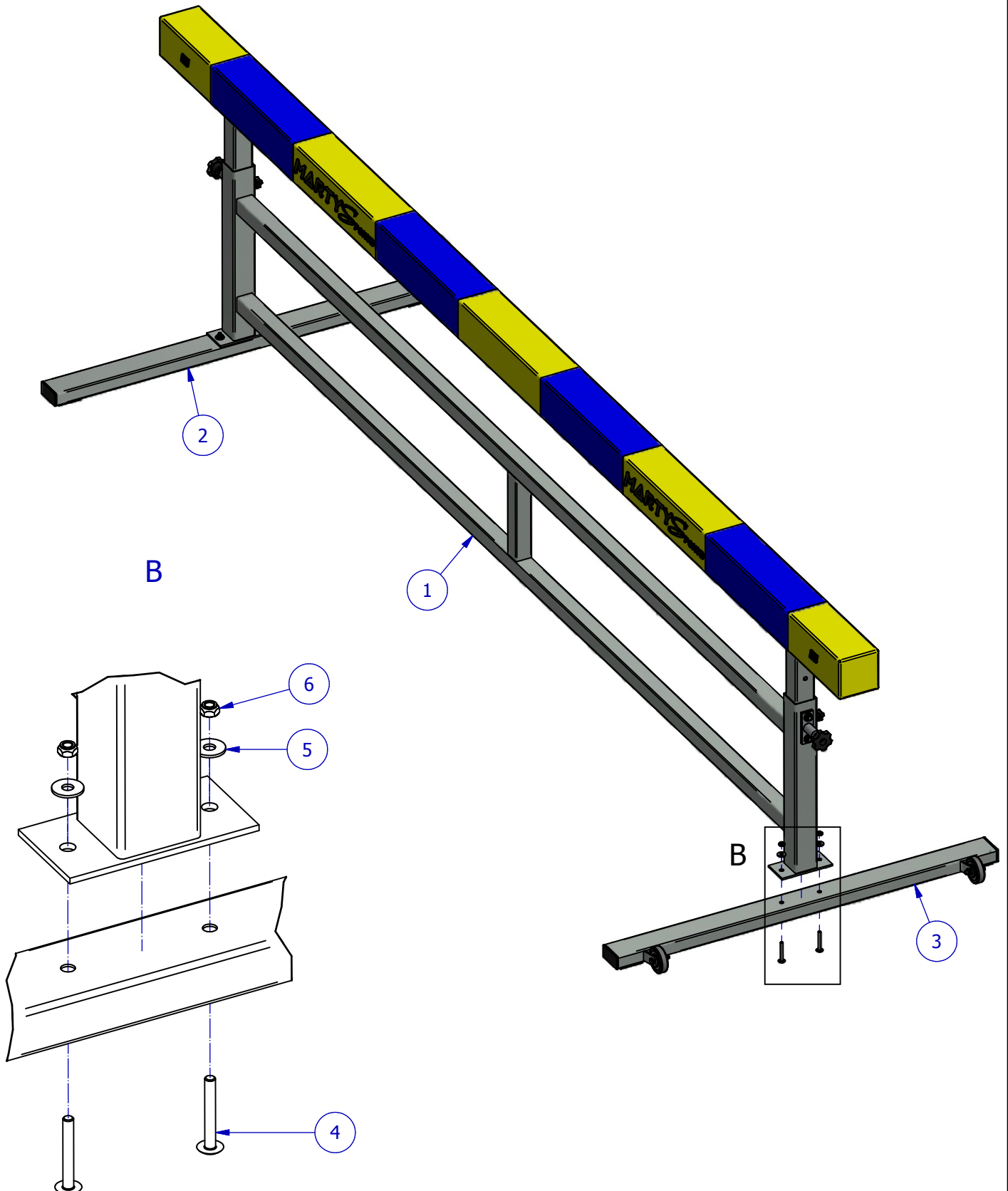
300



Mobile Steeplechase Hurdle 3m96

Produit certifié IAAF N° E-00-0236

2- Assembly of the barrier



Barrière de steeple lg 3m96

Produit certifié IAAF N° E-00-0236

International Association of Athletics Federations



Product Certificate

*The IAAF is pleased to certify hereby
that the following product:*

Product's Trade Name:

Steeplechase barrier, Movable obstacle

Description, Colour / Absolute Thickness:

Adjust. height, wooden bar; Galvan./Blue/yellow

Company Name, Country:

Marty Sports, FRA

Catalogue Number:

A1181/A1186

IAAF Certification Number:

E-00-0236

meets the dimensional requirements for use in all international
athletics competitions.

It is for the purchaser to determine the item's fitness for the purpose based on
his knowledge of the local conditions and use.

Valid from:

1 July 2012

Until the last day of:

July 2016

This certificate is issued in accordance with the terms and conditions of the IAAF
Certification System of track and field facilities, implements and competition equipment.

ESSAR GABRIEL
IAAF General Secretary

JORGE SALCEDO
IAAF Technical Committee Chairman

