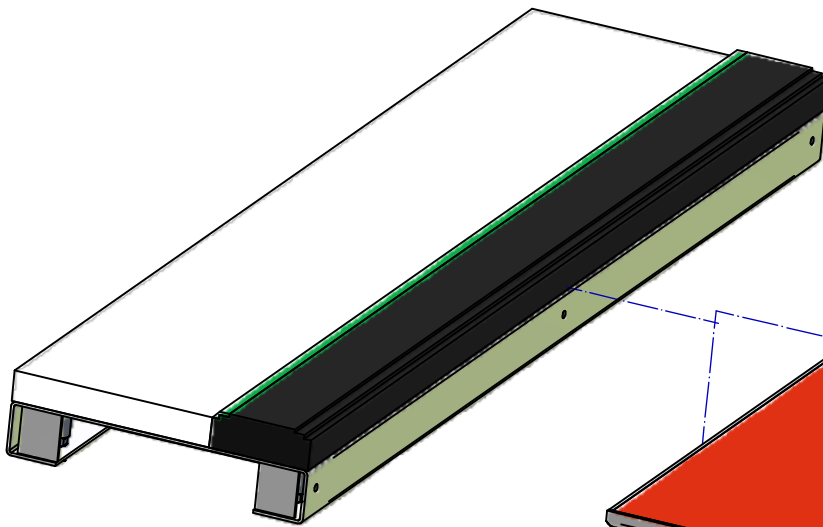


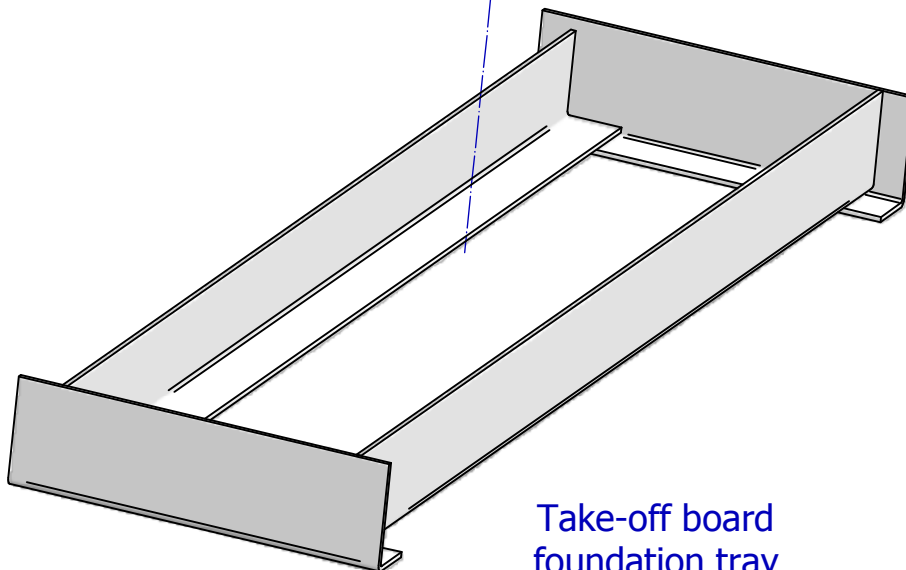
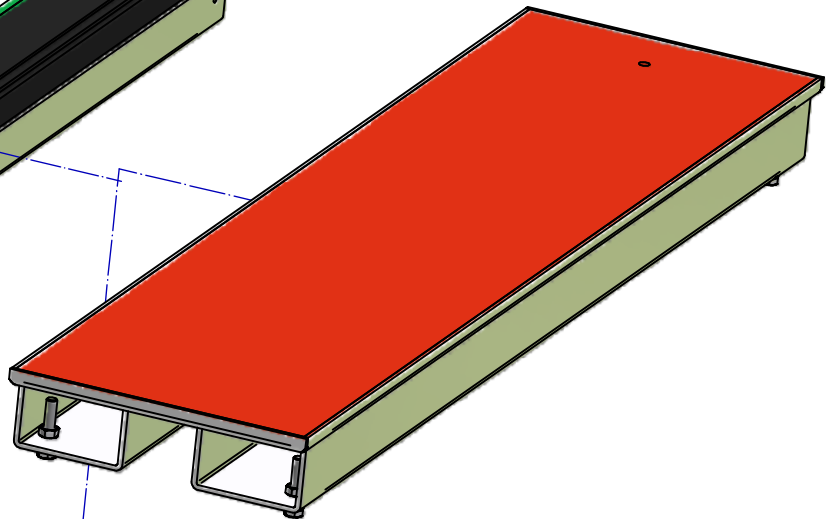
Take-off board foundation Tray

Produit certifié IAAF n° E-06-0441

Take-off board A2300
sold separately



Top for foundation tray A2307
sold separately

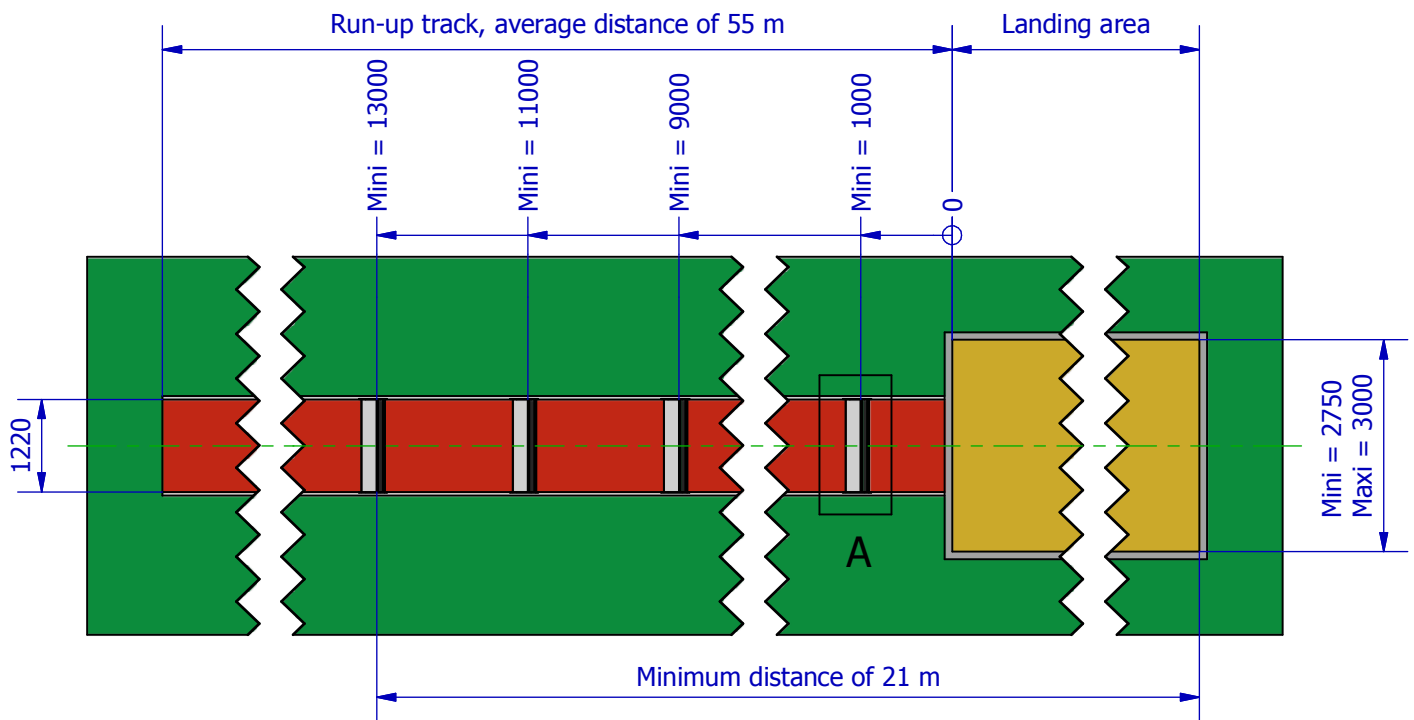


Take-off board
foundation tray

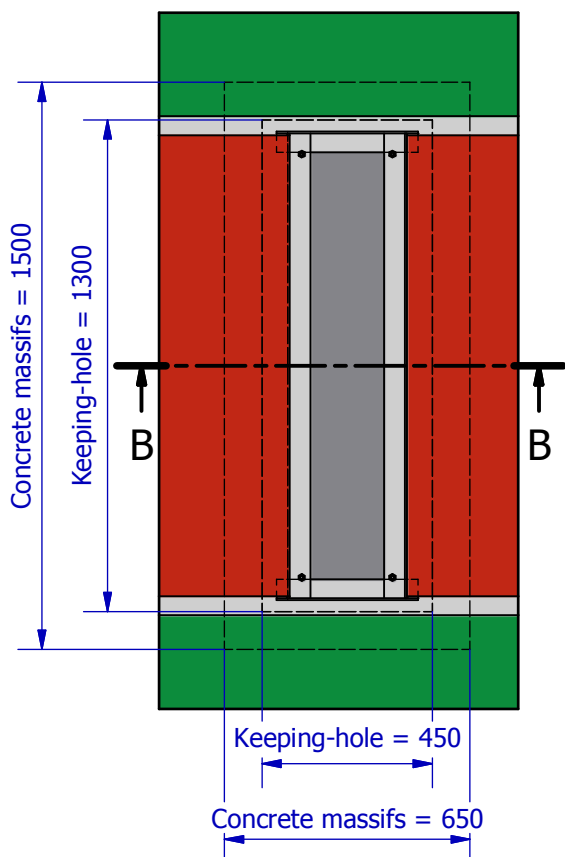
A2305

Take-off board foundation Tray

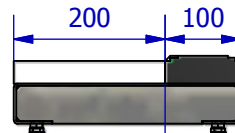
Produit certifié IAAF n° E-06-0441



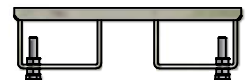
A (1 : 20)



Take-off board A2300
sold separately



Top for foundation
tray A2307
sold separately



OR

Minimum distance from the
border of the landing area
: 1000, 9000, 11000, et 13000 mm.

RUNNING WAY →

B-B (1 : 10)

