

## Steeple Pit Cover

### USAGE INSTRUCTIONS :

- Product designed to support a maximum load of 100 kg/m<sup>2</sup>.
- Install components only after the pit is completely dried.
- Strictly adhere to the assembly instructions.

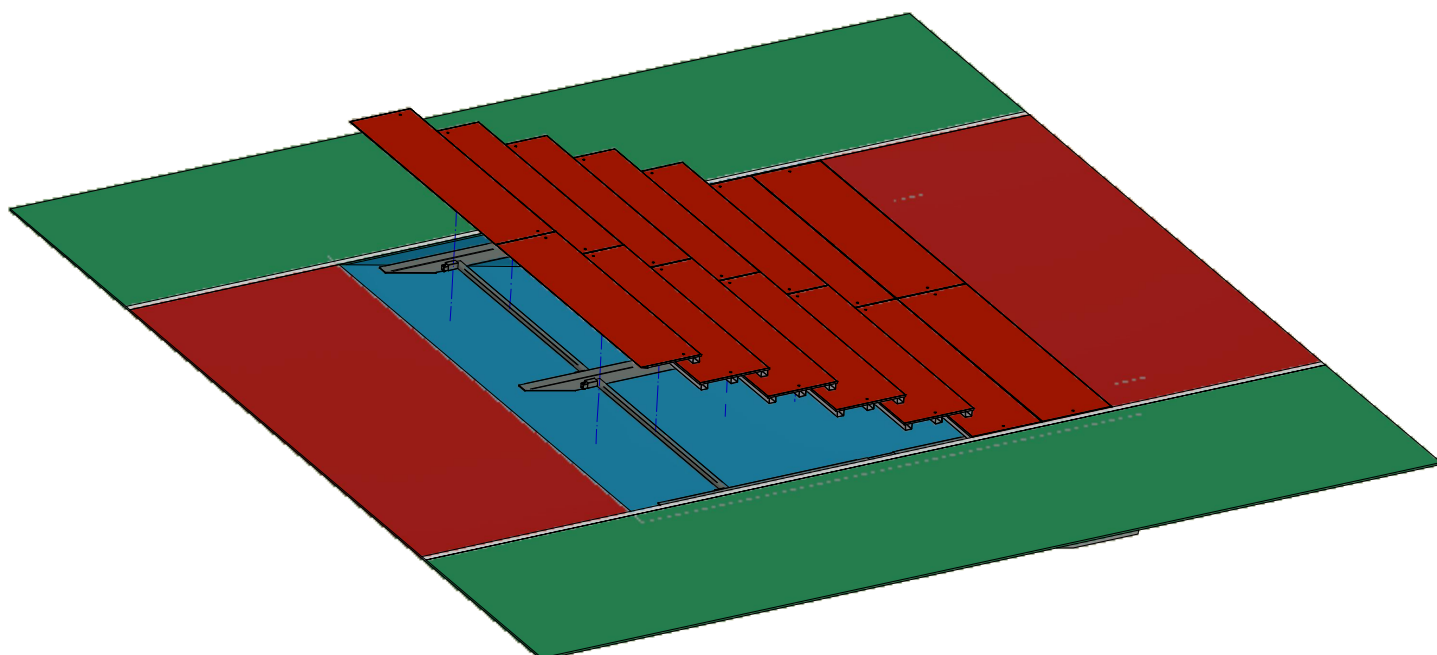
### MAINTENANCE : (Periodic)

- Inspect the condition of welds and tightening points



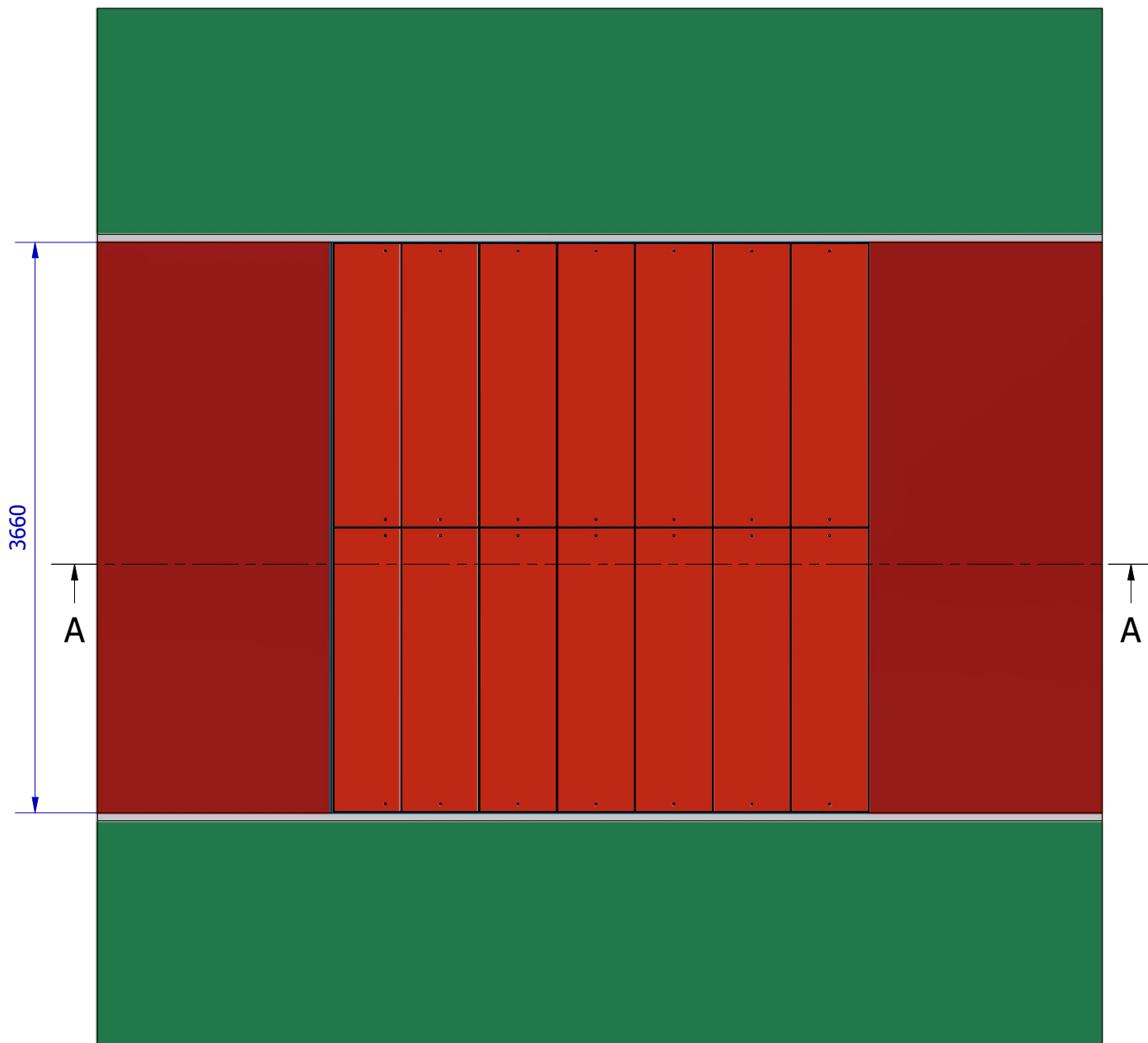
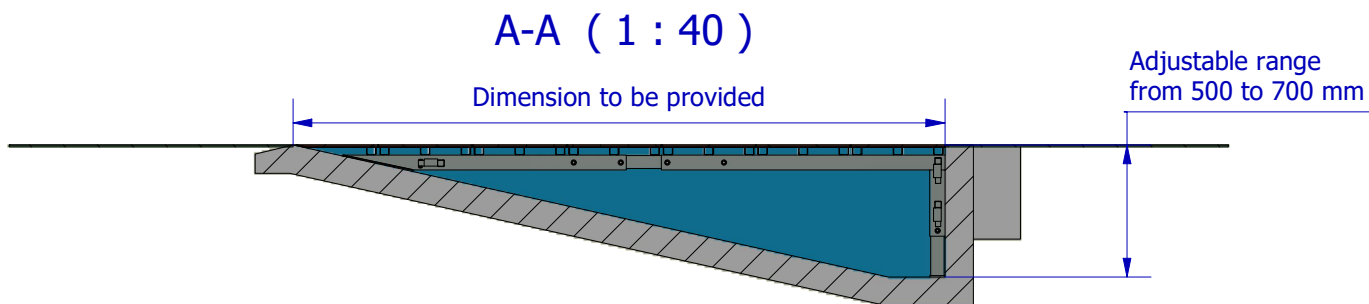
### Liste de pièces

ARTICLE	DESIGNATION	QTE
1	Adjustable Foot	3
2	Right-Angle Support Bracket	1
3	Central Right-Angle Support Bracket	1
4	Left-Angle Support Bracket	1
5	Adjustable Spacer	3
6	Right Support Extension	1
7	Central Support Extension	1
8	Left Support Extension	1
9	Frame Bar	6
10	Single Cover	12
11	Finish Cover	2
12	Screw TH M10 x 100	15
13	Flat Washer Ø10L	30
14	Lock Nut M10	15
15	Screw TH M8 x 40	4
16	Nut H M8	4



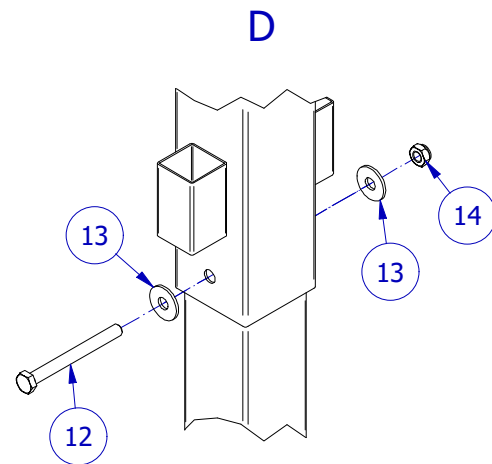
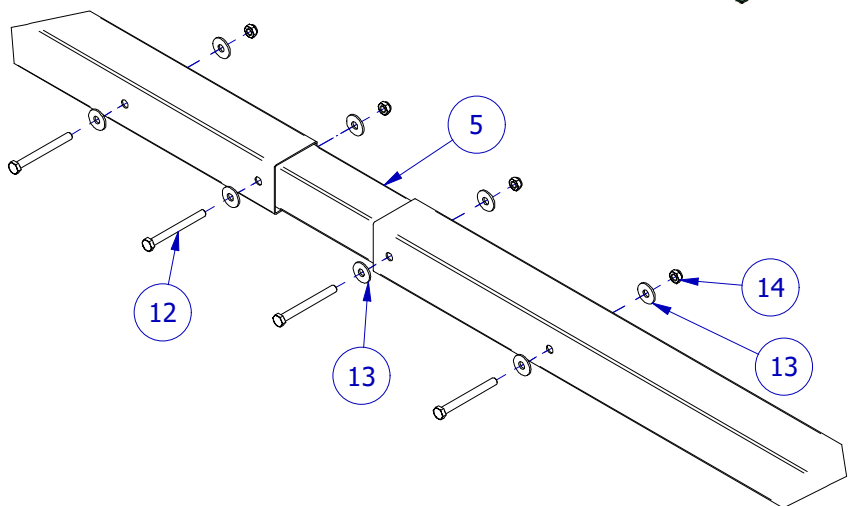
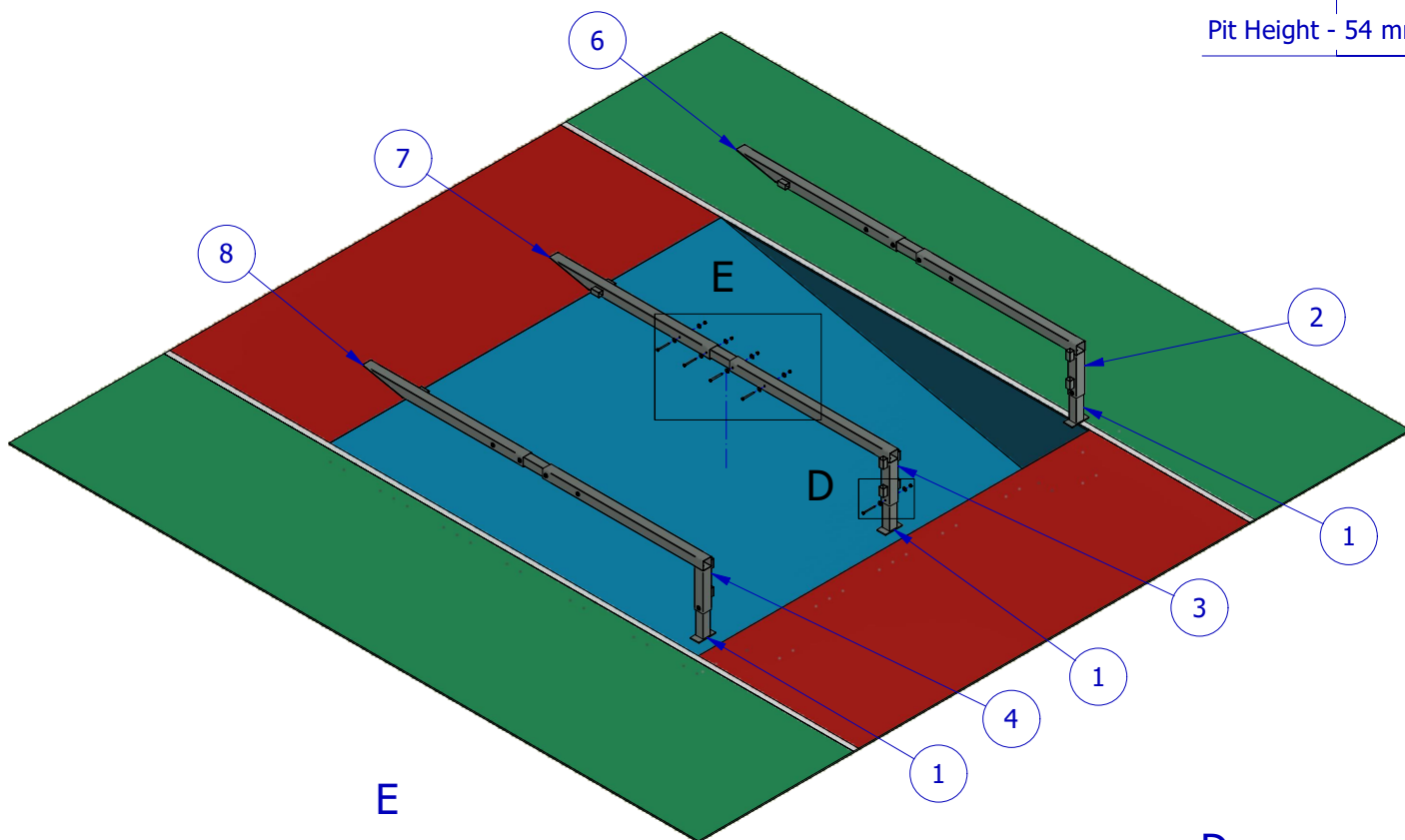
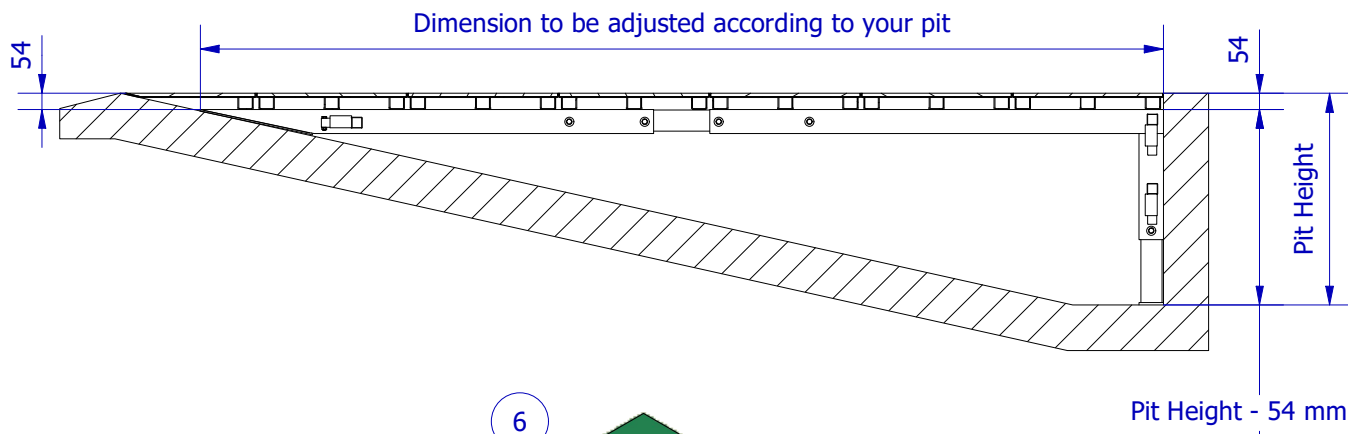
## Steeple Pit Cover

### 1 - Installation



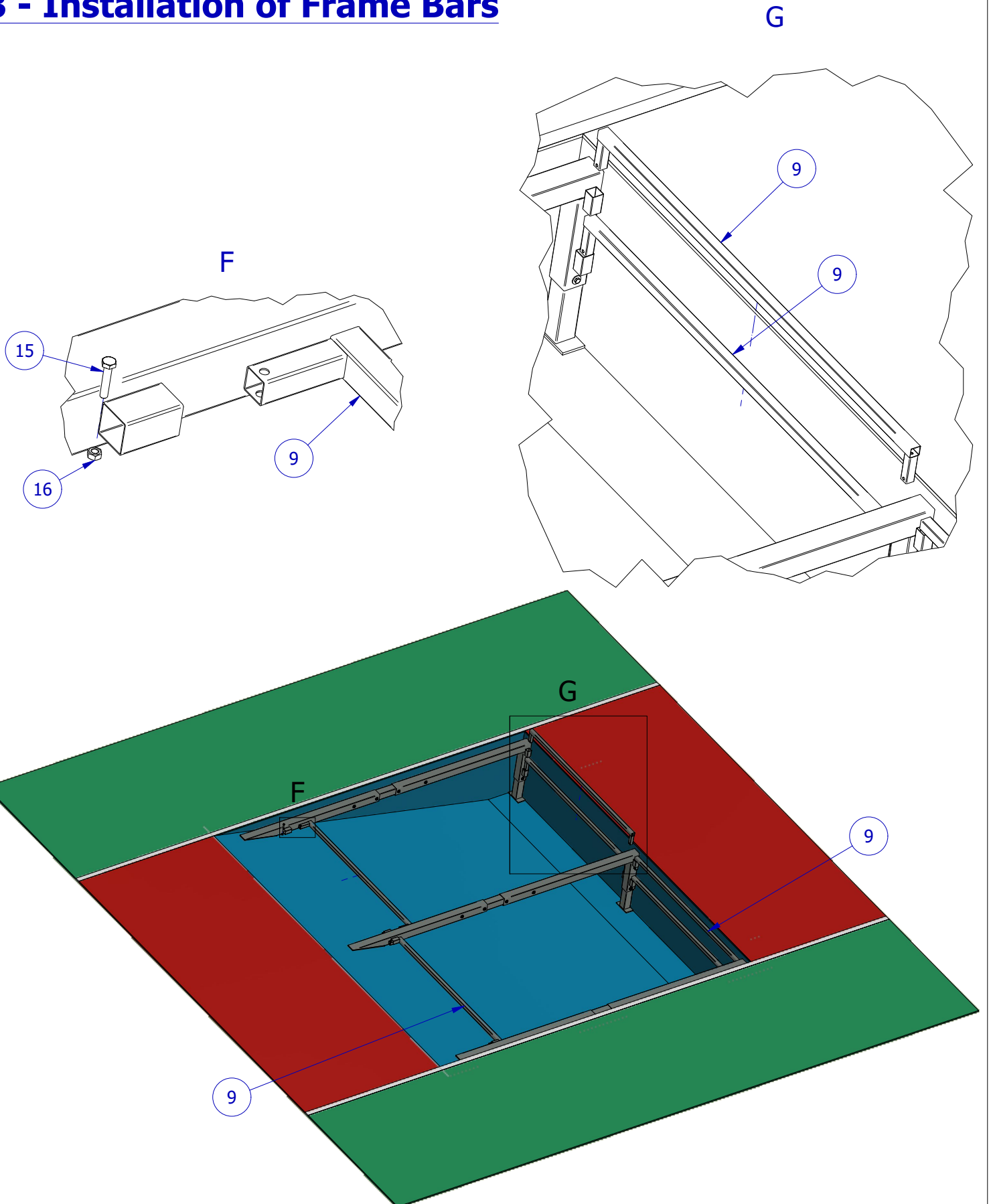
## Steeple Pit Cover

### 2 - Support Adjustment



## Steeple Pit Cover

### 3 - Installation of Frame Bars



## Steeple Pit Cover

### 4 - Installation of Pit Covers

